

LogiLink®

8K DisplayPort™ Connection Cable DP male to DP male

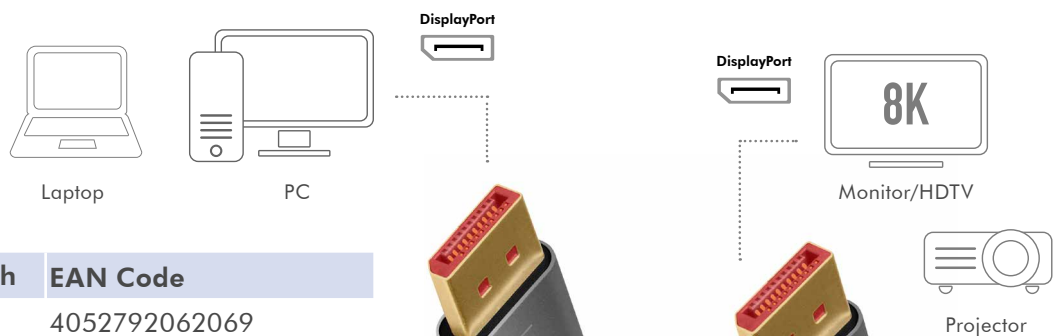
Art. No.: CDA0104
CDA0105
CDA0106



This DisplayPort connection cable provide you a transmission of 8K Ultra HD resolution video signal from your computer or laptop to a monitor or projector.

Features:

- » Stable connection, plug and play. This DisplayPort 1.4 cable supports high resolutions of 8K (7680x4320)@60 Hz, 5K(5120x2880)@60 Hz, 4K(3840x2160)@ 60 Hz/120 Hz/120 Hz/44 Hz, 2K(1080P/1440P)@120 Hz/165 Hz/240 Hz Backwards compatible with DisplayPort 1.3, 1.2, 1.2a, 1.1 and 1.0
- » The total bandwidth of HBR3 connections (High Bit Rate 3) is 32.4 Gbps
- » Supports high refresh rate, DSC (display stream compression), forwarding error correction, HDR meta transport, and error-free audio passage for uncompressed digital audio channels at 7.1, 5.1 and 2
- » With triple shielding, gold-plated connection & pins and tinned copper cables ensure excellent durability and provide excellent audio and video quality
- » The premium aluminum shell effectively dissipates heat
- » Connect your DisplayPort equipped desktop/laptop directly to an HDTV, display, monitor and gaming graphics cards with DisplayPort to stream HD audio and video from your computer to your monitor
- » Perfect for games and expansion workstations



Art-No.	Cable Length	EAN Code
CDA0104	1 m	4052792062069
CDA0105	2 m	4052792062076
CDA0106	3 m	4052792062083



DisplayPort 1.4 with DSC (Display Stream Compression):

Graphics card and monitor must support Display Stream Compression (DSC) to achieve 8K@30/60 Hz, 4K@120Hz, and 2K@240Hz with HDR.



*The specifications and pictures are subject to change without prior notice.
*All trade names referenced are the registered trademarks of their respective owners.

Made in China

LogiLink®

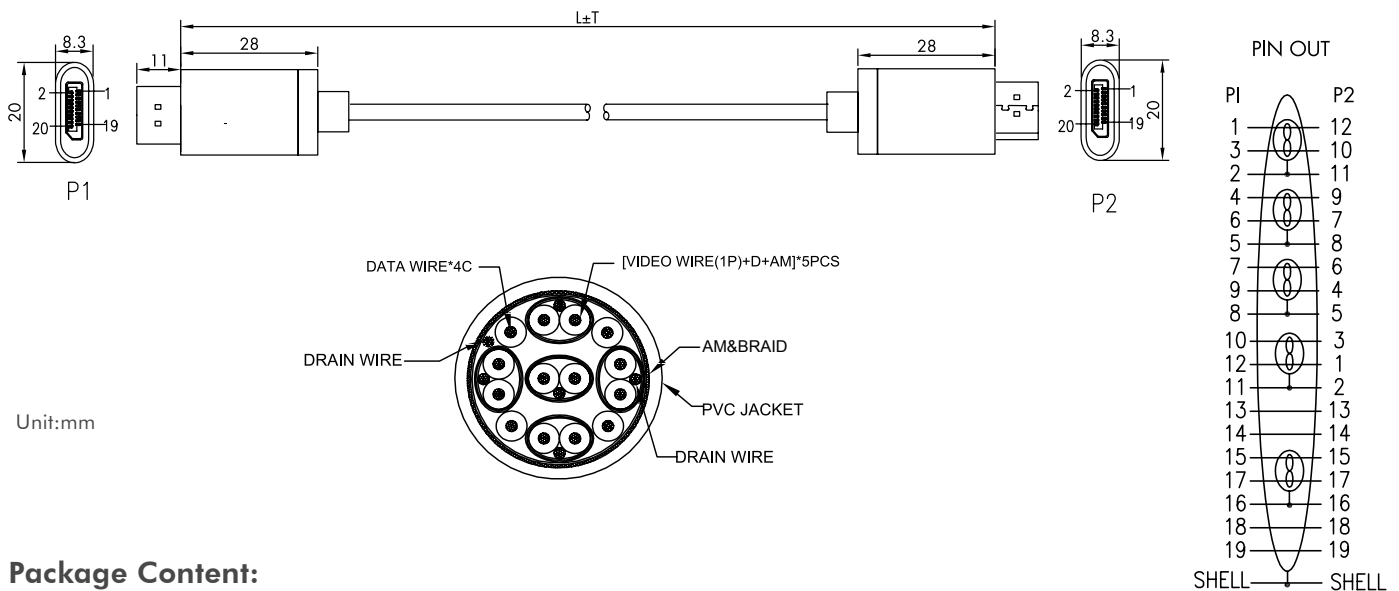
8K DisplayPort™ Connection Cable DP male to DP male

Art. No.: CDA0104
CDA0105
CDA0106



Specifications:

Connection 1	DisplayPort 20pin, male
Connection 2	DisplayPort 20pin, male
Connector Material	Gold-Plated
Max. Resolution	8K@60 Hz
Supported Bandwidth	32.4 Gbps
Color	Black/Grey



Package Content:

» 1x DisplayPort Connection Cable

Package Information:

Art-No.	Packing Dimension	Packing Weight	Carton Dimension	Carton Q'ty	Carton Weight
CDA0104	193x177x15 mm	0.067 kg	420x380x220 mm	80 pcs	6.4 kg
CDA0105	253x234x18 mm	0.12 kg	500x270x520 mm	80 pcs	10.6 kg
CDA0106	253x234x22 mm	0.155 kg	500x270x520 mm	60 pcs	10.9 kg



*The specifications and pictures are subject to change without prior notice.
*All trade names referenced are the registered trademarks of their respective owners.

Made in China

X-ON Electronics

Largest Supplier of Electrical and Electronic Components

Click to view similar products for [HDMI, Displayport & DVI Connectors](#) category:

Click to view products by [Logilink](#) manufacturer:

Other Similar products are found below :

[1775247-3](#) [2-1932649-5](#) [30-1231](#) [30-528](#) [2069485-1](#) [30-504](#) [30-519](#) [30-542](#) [47648-2000](#) [2002-400](#) [769-103/021-000](#) [1932649-1](#) [233-368NFG6-17NH](#) [RPI-16338](#) [CCB-HDMIL-1.5M](#) [CCB-HDMIL-1M](#) [CCB-HDMIL-7.5M](#) [CCBP-HDMI-10M](#) [CCBP-HDMI8K-2M](#) [AK-AV-02](#) [AK-AV-03](#) [AK-AV-11](#) [AK-AV-13](#) [AK-AV-15](#) [AK-HD-100A](#) [AK-HD-100P](#) [AK-HD-15P](#) [AK-HD-30P](#) [DSP-2PH4-04](#) [DSP-4PH4-02](#) [DSP-8PH4-03](#) [AK-AD-38](#) [AK-AD-39](#) [RPI-14662](#) [RPI-16335](#) [A-DPM-DVIF-002-W](#) [A-DPM-DVIF-03-W](#) [A-DPM-HDMIF-002](#) [A-DVI-VGA](#) [A-HDMI90-FML](#) [A-MDPM-DPF-001-W](#) [A-MDPM-HDMIF-02-W](#) [A-MDPM-HDMIF4K-01](#) [75053](#) [75603](#) [75777](#) [75844](#) [75919](#) [A-DPM-HDMIF-002-W](#) [AK-330126-100-S](#)