

LogiLink®

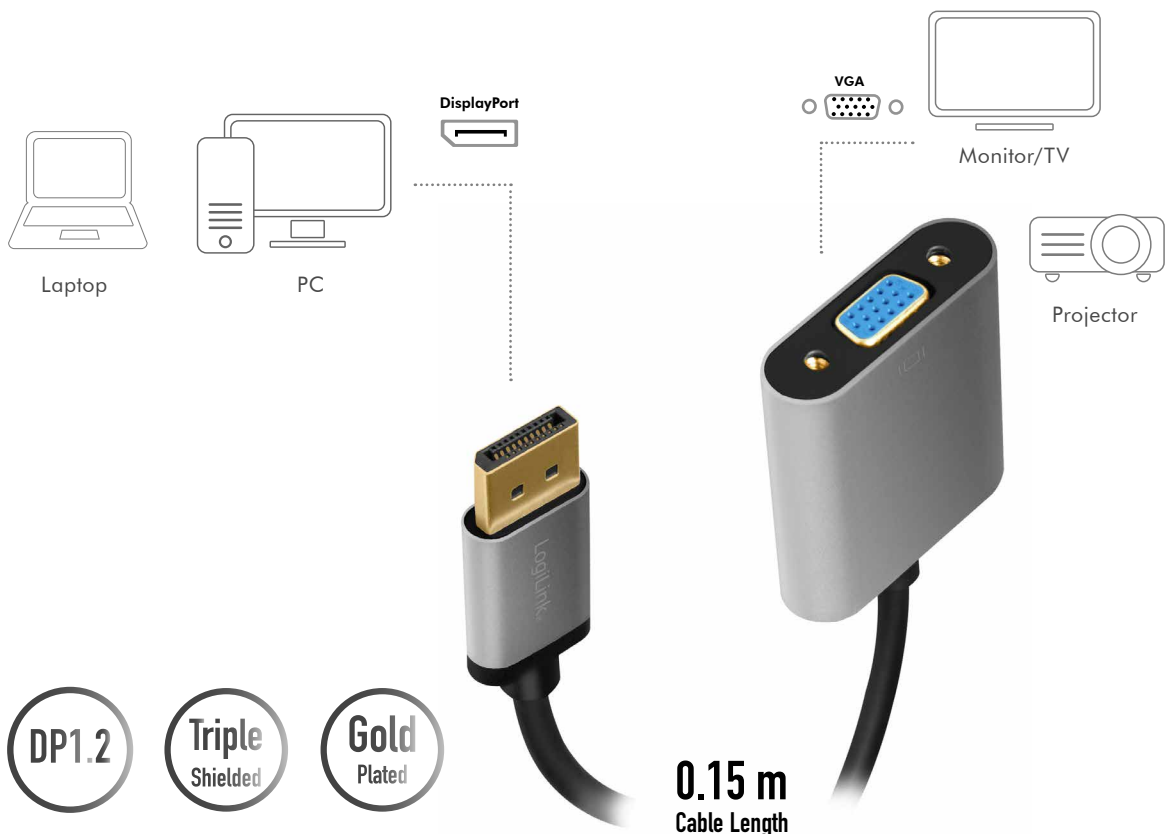
DisplayPort™ to VGA Adapter DP male to VGA female

Art. No.: CDA0109



This DisplayPort to VGA Adapter allow you to connect your DisplayPort equipped laptop or computer to an VGA display or projector; supports video resolution up to QXGA 2048x1536.

- » Elegant and compact design with aluminum alloy body and unibody structure; it is a durable & portable DP to VGA adapter
- » Connect a DisplayPort (DP, DP++, DisplayPort++) equipped laptop or desktop to a monitor or projector with VGA input; A VGA cable (sold separately) is required
- » Supports video resolutions up to QXGA 2048x1536@60 Hz
- » Gold-plated connectors resist corrosion, provide durability and improve the signal transmission
- » Compatible with notebooks (HP ProBook EliteBook, Lenovo ThinkPad), Desktop Tower (HP, Dell, Lenovo), graphics cards (AMD, NVIDIA) and other devices with DisplayPort.
- » No software or driver installation needed



*The specifications and pictures are subject to change without prior notice.
*All trade names referenced are the registered trademarks of their respective owners.

LogiLink®

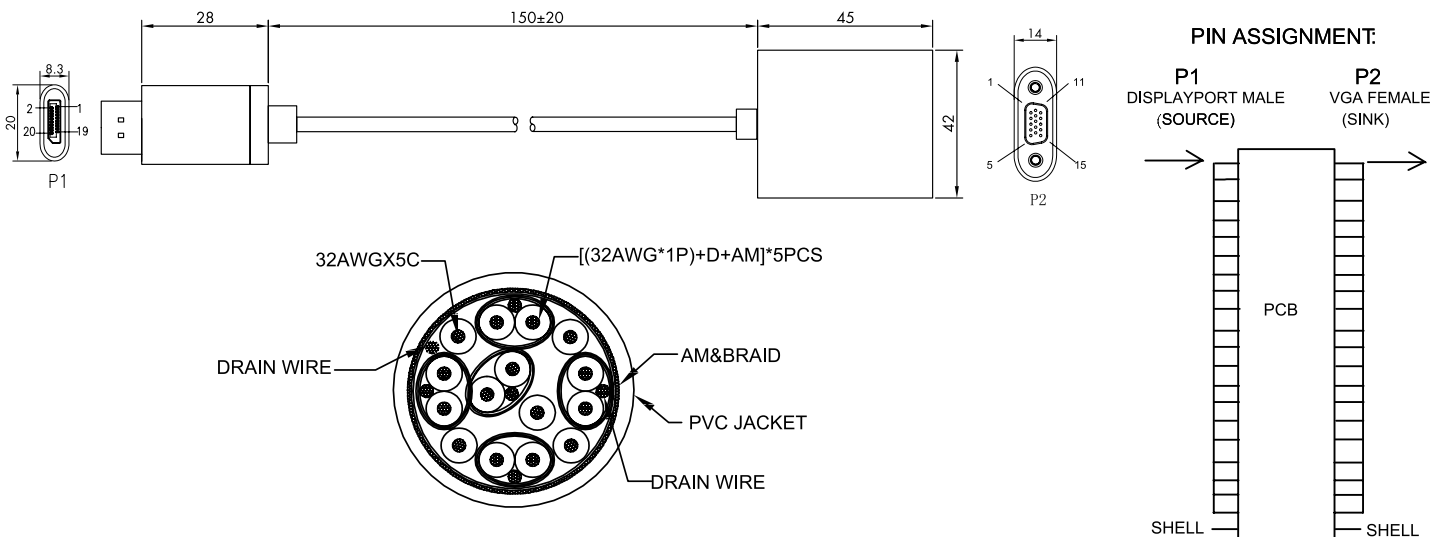
DisplayPort™ to VGA Adapter DP male to VGA female

Art. No.: CDA0109



Specifications:

Connection 1	DisplayPort 20pin, male
Connection 2	VGA 15pin, female
Connector Material	Gold-Plated
Max. Resolution	QXGA 2048x1536@60 Hz
Cable Length	0.15 m
Color	Black/Grey



Package Content:

- » 1x DisplayPort to VGA Adapter

Package Information:

- » Packing Dimension: 193x177x14 mm
- » Packing Weight: 0.045 kg
- » Carton Dimension: 420x380x220 mm
- » Carton Q'ty: 140 pcs
- » Carton Weight: 7.6 kg



*The specifications and pictures are subject to change without prior notice.
*All trade names referenced are the registered trademarks of their respective owners.



Made in China

X-ON Electronics

Largest Supplier of Electrical and Electronic Components

Click to view similar products for [HDMI, Displayport & DVI Connectors](#) category:

Click to view products by [Logilink](#) manufacturer:

Other Similar products are found below :

[1775247-3](#) [2-1932649-5](#) [30-1231](#) [30-528](#) [2069485-1](#) [30-504](#) [30-519](#) [30-542](#) [47648-2000](#) [2002-400](#) [769-103/021-000](#) [1932649-1](#) [233-368NFG6-17NH](#) [RPI-16338](#) [CCB-HDMIL-1.5M](#) [CCB-HDMIL-1M](#) [CCB-HDMIL-7.5M](#) [CCBP-HDMI-10M](#) [CCBP-HDMI8K-2M](#) [AK-AV-02](#) [AK-AV-11](#) [AK-AV-13](#) [AK-AV-15](#) [AK-HD-100A](#) [AK-HD-100P](#) [AK-HD-15P](#) [AK-HD-30P](#) [DSP-2PH4-04](#) [DSP-4PH4-02](#) [DSP-8PH4-03](#) [AK-AD-38](#) [AK-AD-39](#) [RPI-14662](#) [RPI-16335](#) [A-DPM-DVIF-002-W](#) [A-DPM-DVIF-03-W](#) [A-DPM-HDMIF-002](#) [A-DVI-VGA](#) [A-HDMI90-FML](#) [A-MDPM-DPF-001-W](#) [A-MDPM-HDMIF-02-W](#) [A-MDPM-HDMIF4K-01](#) [75053](#) [75603](#) [75777](#) [75844](#) [75919](#) [A-DPM-HDMIF-002-W](#) [AK-330126-100-S](#) [KAB-07040](#)