

LogiLink®

4K HDMI™ Connection Cable

Active Optical Cable, HDMI male to HDMI male

Art. No.: CHF0102
CHF0103
CHF0105



The HDMI AOC cable provides you a viewing experience of 4K Ultra HD resolution for connecting your computer or laptop to a HDTV, monitor or projector. The active optical solution ensures the mass signal will be transmitted in a lossless way even long distance and no external power needed.

- » Compliant to Premium High Speed HDMI specification
- » Backward compatible with earlier HDMI versions
- » Supports high quality video up to 4K@ 60 Hz
- » Supports the static HDR of 4K@ 60Hz HDMI and 12-bit color processing technology
- » Supports bandwidth up to 18 Gbps
- » Support audio formats such as PCM 2.0-7.1, DTS-HD Master Audio, Dolby TrueHD, 3D Audio
- » Supports extended color spaces such as x.v. Color + Deep Color up to 48 bit color depth
- » Supports EDID (Extended Display Identification Data), ARC (Audio Return Channel) and CEC (Consumer Electronics Control)
- » Supports HDCP functions as well as the connected devices supporting
- » Active optical cable is great for reducing the risk of EMI/RFI in high interference environments; ensures a reliable connection
- » With gold plated connector provides excellent video and audio quality
- » Ideal for all HDMI devices such as 4K TVs, PlayStation 4 Pro, PS5, Xbox One X, Xbox Series X and S, 4K Blu-ray players

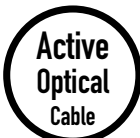


PC



Laptop

Art-No.	Cable Length	EAN Code
CHF0102	20 m	4052792063240
CHF0103	30 m	4052792063257
CHF0105	50 m	4052792063264



RoHS
compliant



*The specifications and pictures are subject to change without prior notice.
*All trade names referenced are the registered trademarks of their respective owners.

Made in China

LogiLink®

4K HDMI™ Connection Cable

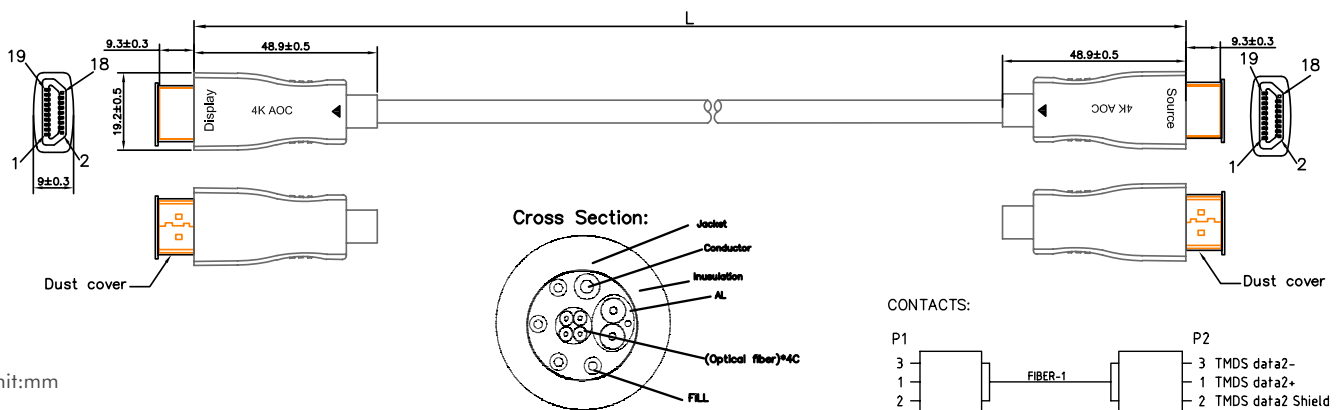
Active Optical Cable, HDMI male to HDMI male

Art. No.: CHF0102
CHF0103
CHF0105



Specifications:

Connection 1	HDMI-A 19pin, male
Connection 2	HDMI-A 19pin, male
Connector Material	Gold-Plated
Max. Resolution	4K@60 Hz
Supported Bandwidth	18 Gbps
Color	Black



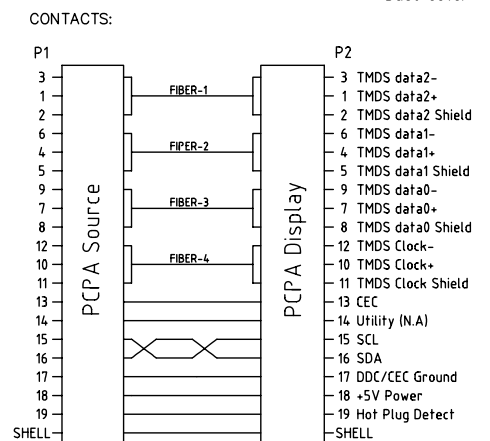
Unit:mm

Package Content:

» 1x HDMI Connection Cable

Package Information:

Art-No.	Packing Dimension	Packing Weight	Carton Dimension	Carton Q'ty	Carton Weight
CHF0102	200x200x60 mm	0,74 kg	440x330x220 mm	10 pcs	8 kg
CHF0103	200x200x60 mm	0,98 kg	440x330x220 mm	10 pcs	10,4 kg
CHF0105	265x265x53 mm	1,64 kg	480x370x330 mm	10 pcs	17 kg



*The specifications and pictures are subject to change without prior notice.
*All trade names referenced are the registered trademarks of their respective owners.

Made in China

X-ON Electronics

Largest Supplier of Electrical and Electronic Components

Click to view similar products for [HDMI, Displayport & DVI Connectors](#) category:

Click to view products by [Logilink](#) manufacturer:

Other Similar products are found below :

[1775247-3](#) [2-1932649-5](#) [30-1231](#) [30-528](#) [2069485-1](#) [30-504](#) [30-519](#) [30-542](#) [47648-2000](#) [2002-400](#) [769-103/021-000](#) [1932649-1](#) [233-368NFG6-17NH](#) [RPI-16338](#) [CCB-HDMIL-1.5M](#) [CCB-HDMIL-1M](#) [CCB-HDMIL-7.5M](#) [CCBP-HDMI-10M](#) [CCBP-HDMI8K-2M](#) [AK-AV-02](#) [AK-AV-11](#) [AK-AV-13](#) [AK-AV-15](#) [AK-HD-100A](#) [AK-HD-100P](#) [AK-HD-15P](#) [AK-HD-30P](#) [DSP-2PH4-04](#) [DSP-4PH4-02](#) [DSP-8PH4-03](#) [AK-AD-38](#) [AK-AD-39](#) [RPI-14662](#) [RPI-16335](#) [A-DPM-DVIF-002-W](#) [A-DPM-DVIF-03-W](#) [A-DPM-HDMIF-002](#) [A-DVI-VGA](#) [A-HDMI90-FML](#) [A-MDPM-DPF-001-W](#) [A-MDPM-HDMIF-02-W](#) [A-MDPM-HDMIF4K-01](#) [75053](#) [75603](#) [75777](#) [75844](#) [75919](#) [A-DPM-HDMIF-002-W](#) [AK-330126-100-S](#) [KAB-07040](#)