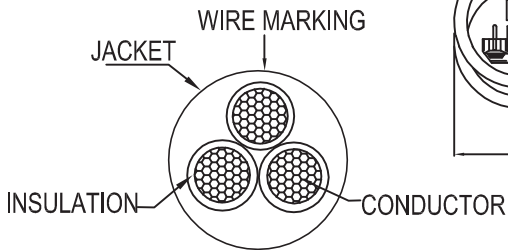
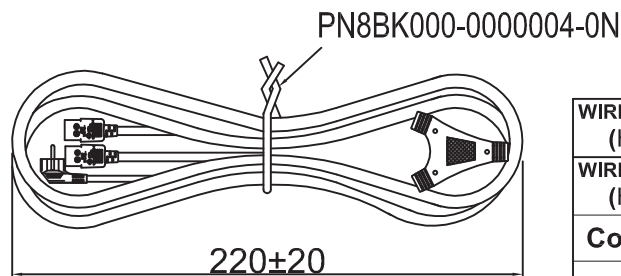
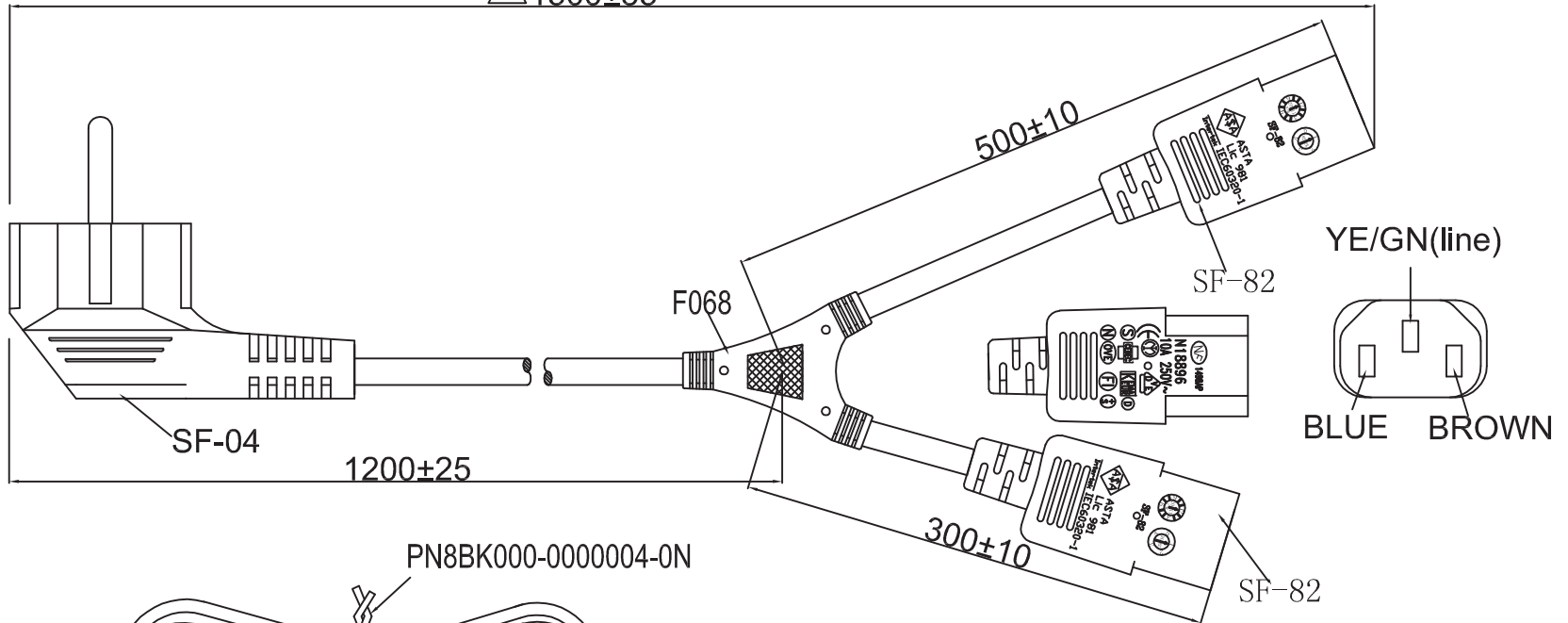
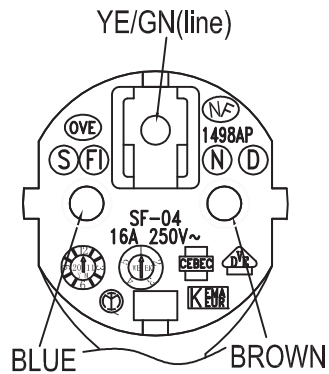


ROHS COMPLIANT

A/0	DATE	REV	DESCRIPTION	BY	CHECK
		A/0			

⚠ 1500±35



<b>WIRE MARKING:</b> (Hollow)	+ 0 + 0 + 0 KEMA-KEUR  CEBC 972 $\triangle$ VDE NF-USE 1345 IEMMEQU H05VV-F 3G0.75MM <sup>2</sup> V-75 300/500V ORDINARY DUTY NSW17436						
<b>WIRE MARKING:</b> (Hollow)	+ 0 + 0 + 0 KEMA-KEUR  CEBC 972 $\triangle$ VDE NF-USE 1345 IEMMEQU H05VV-F 3G1.0MM <sup>2</sup> V-75 300/500V ORDINARY DUTY NSW17436						
Conductor 導體		Insulation 絕緣體			Jacket 被覆體		Overall diameter 完成外徑
mm <sup>2</sup>	Resistance maximum 最大電阻(≤)	Min.Thick 最小厚度	Diameter 絕緣外徑	Length of Lay 芯絞	Min.Thick 最小厚度	AVG.Thick 平均厚度	
0.75 (24/0.190)	at20°C, 26.0ohms/km	<b>0.44mm</b>	<b>2.4±0.1mm</b>	130 ↓ mm	<b>0.58mm</b>	<b>0.8mm</b>	<b>6.8±0.1mm</b>
1.0 (32/0.190)	at20°C, 19.5ohms/km	<b>0.44mm</b>	<b>2.5±0.1mm</b>	130 ↓ mm	<b>0.58mm</b>	<b>0.8mm</b>	<b>7.0±0.1mm</b>
(NOTE: IF THE CONDUCTORS O.D IS GO BEYOND THE SCOPE, THE RESISTANCE OF CONDUCTOR IS STANDARD THEN)							

**ELECTRIC TESTING:**

1. 100% OPEN & SHORT TESTING .
2. VOLTAGE RATING: AC ≥2000V/S ≥0.5MA
3. PLUG(SF-04) RATED POWER: 250V 10/16A
4. PLUG(SF-82) RATED POWER: 250V 10A
5. WIRE: H05VV-F 1.0/3GX1 RATED VOLTAGE: 300/500V
6. WIRE: H05VV-F 0.75/3GX2 RATED VOLTAGE: 300/500V
7. COLOR: BLACK

**Power Cable**

LogiLink®

**CP101**  
**Y-Power Cord, Schuko IEC Plug, right angled to 2 x Schuko Female C13**  
**Color: Black**  
**Length: 1,5M**

RoHS compliant Made in China 4 260113 575727

Label Size: 70 x 50 mm  
R = 2mm

PAGE	1/1	2direct GmbH			
重點尺寸	⚠				
Unless specified on the drawing, tolerances are per the follows:		DESCRIPTION	CP101 Y-Power Cord, Schuko IEC Plug, right angled to 2 x Schuko Female C13		
.X ± 1	.XX ± 0.2	CUSTOMER NAME	CUSTOMER NO.	DATE	2011/06/14
.XX ± 0.05		CUSTOMER PART NO.	DRAW	DATE	
3RD		SCALE	CHECK	DATE	
		UNIT	MM	APPROVAL	DATE
		PATH NAME	//D//DHY		

## X-ON Electronics

Largest Supplier of Electrical and Electronic Components

*Click to view similar products for [Computer Cables](#) category:*

*Click to view products by [Logilink](#) manufacturer:*

Other Similar products are found below :

[68809-0004](#) [8F36-AAA105-1.00](#) [IB63](#) [IB68](#) [CBK-11-290K-00](#) [ACL-10568-5](#) [426090200-3](#) [427522400-3](#) [IB76](#) [CB-3PSATA-RS](#)  
[426091300-3](#) [48000023](#) [10114976-P015002LF](#) [88761-6101](#) [NT631C-CN321-EU](#) [1700009397](#) [MIKROE-2092](#) [PCL-10488-2E](#) [1700009405](#)  
[PS/2 Cable](#) [AXXSTFPCBLKIT](#) [NT31C-CN323-EU](#) [FWAX-PK1-51](#) [68801-1905](#) [2404774](#) [SATA Power to B4P cable](#) [68801-0630](#) [68801-](#)  
[3612](#) [68801-3618](#) [0685610020](#) [0745063002](#) [0745460813](#) [0745461605](#) [0745470304](#) [0887505318](#) [0887511310](#) [0DT60002](#) [C-PS2WG/5](#) [C-](#)  
[PS2WW/2](#) [C-PS2WW/3](#) [73220861](#) [CV0002](#) [CV0005](#) [CV0006](#) [CV0016](#) [CV0018](#) [74546-0402](#) [74546-1601](#) [74546-1603](#) [AU0002E](#)