

LogiLink®

Power Cable

UK Plug to IEC C7 Socket

Art. No.: CP166



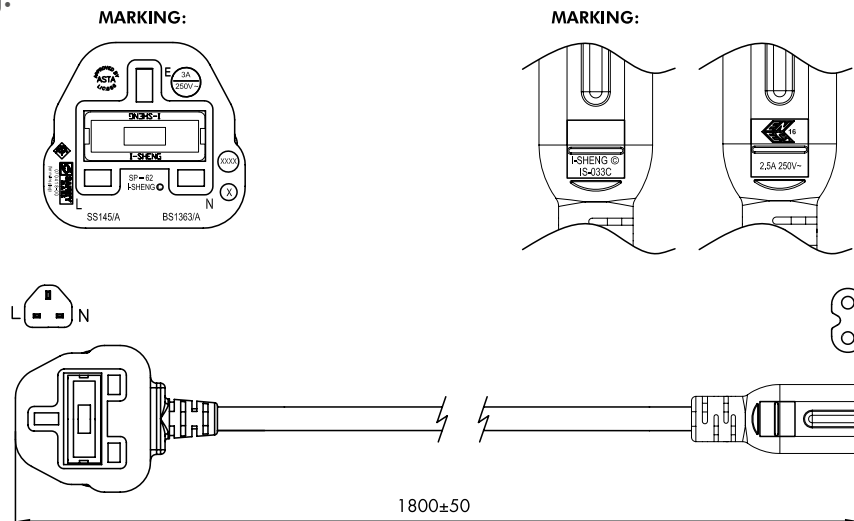
The LogiLink power cable has a male BS 1363 plug and a female IEC C7 connector. It is ideal as a power cable for notebook power supplies or other electronic devices, which need to be connected to an UK socket.

Features:

- » Connection 1: BS 1363 (UK) male
- » Connection 2: IEC C7 female
- » Cable type: H03VV-F3G 2x 0.75 mm²
- » Suitable for 230 V, 2.5 A, 575 W
- » With integrated 3 A fuse
- » Length: 1.8 m
- » Color: Black



Technical Drawing:



Package Content:

- » 1 x Power Cable

Package Information:

- » Packing Dimension: 260 x 120 x 55 mm
- » Packing Weight: 0.133 kg
- » Carton Dimension: 546 x 355 x 197 mm
- » Carton Q'ty: 125 pcs
- » Carton Weight: 17.53 kg



*The specifications and pictures are subject to change without prior notice.
*All trade names referenced are the registered trademarks of their respective owners.



X-ON Electronics

Largest Supplier of Electrical and Electronic Components

Click to view similar products for [AC Power Leads](#) category:

Click to view products by [Logilink](#) manufacturer:

Other Similar products are found below :

[YP-61+YC12](#) [YP21A+YC13](#) [6601](#) [FTP-629Y603](#) [1700001947](#) [IL13-EU1-H05-3100-300-S](#) [2217913-1](#) [P28976-M45](#) [BB-3271V86](#) [P29844-M5](#) [P29844-M10](#) [P28818-M6](#) [387005324](#) [387005325](#) [59903000000](#) [387007040](#) [IL13P-EU1-H05-3100-300](#) [PCAK2](#) [EM9169](#) [32004](#) [32002](#) [W-98979](#) [W-98980](#) [W-98983](#) [W-98987](#) [W-99183](#) [AM TO TYPE-C-0.3M](#) [HC-3C1.5MM-Z-P](#) [HC-CE1.2MM-W-K](#) [AK-RD-07A](#) [LPS275](#) [18049236](#) [LA0055](#) [HC-3C1.5MM-W-P](#) [NUFPWC-03PMMS-LC500](#) [NUF-MSAP-08BMMM-RJ](#) [BEST 053](#) [W-99469](#) [W2243](#) [W-99945](#) [W-99764](#) [W-98642](#) [W-98643](#) [W-99440](#) [W-97783](#) [W-99175](#) [W-97760](#) [W-99243](#) [M02411](#) [W-98692](#)