



Art no.: CQ5060S

Cat. 7 S/FTP Mobile Cable Reel PUR, 60 m

Technical Features

Mobile drum for easy installation & transportation

Cat.7 S/FTP 26 AWG bare copper cable

PUR jacket for outdoor and industrial use

60 m cable with Cat. 6A keystone jack

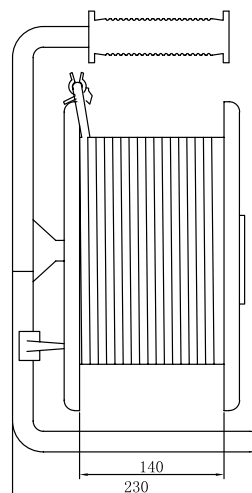
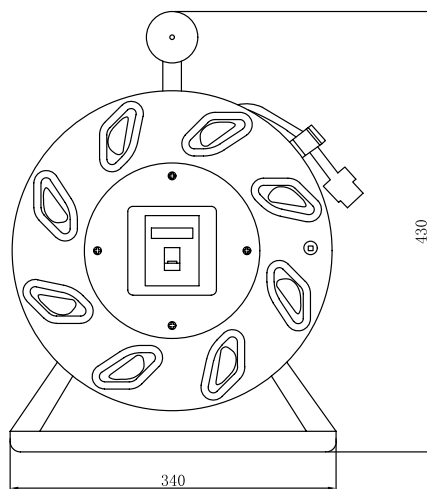
Drum with 86 x 86 mm 1 port face plate

Supports PoE per IEEE 802.3af, PoE+ per IEEE 802.3at

Operating temperature: -20–75°C

Cable color: Green

Technical Drawings



CQ5060S



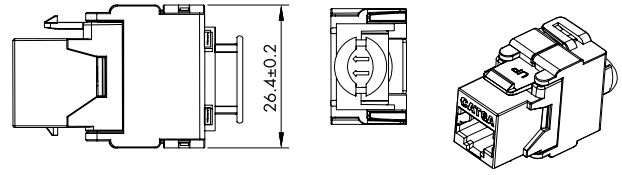
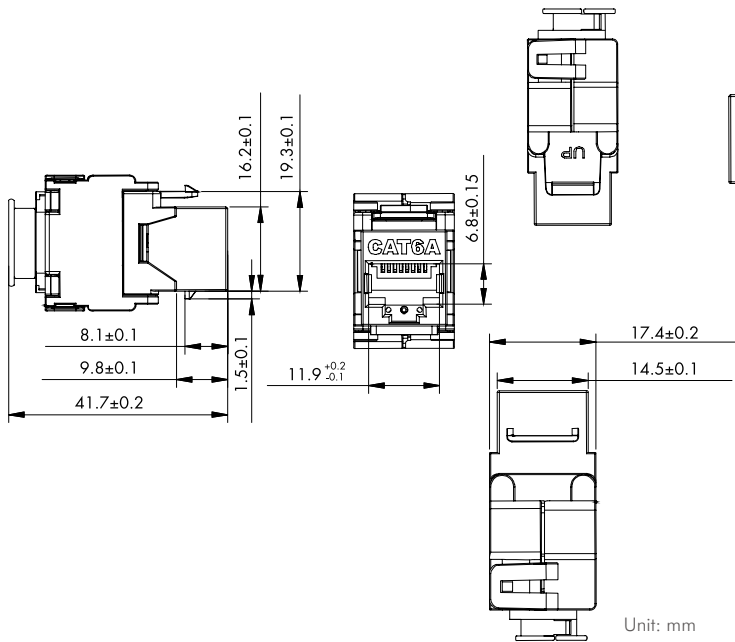
4 052792 070330

Made in China

www.2direct.de



*The specifications and pictures are subject to change without prior notice.
*All trade names referenced are the registered trademarks of their respective owners.



Notes:

1. Contact Resistance: 20M Ohms max.
2. Insulation Resistance: 500M Ohms min. @500 V DC
3. Withstand Voltage: DC 1000 V AC 700 V RMS 60 Hz, 1 min.

Environmental:

1. Storage: -40–70°C
2. Operation: -10–60°C

Mechanical:

1. Shield Material: Zinc alloy
2. IDC Material: PC UL94V0 Terminal: Phosphor Bronze, Tin Plating
3. RJ45 Contact Life: 750 times min.
4. IDN Life: 250 times min.
5. RJ45 Dimension: 11.9 x 9.8 mm
6. Weight: 34.7 g

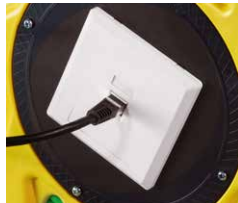
Unit: mm

Package Content

1x Cat. 7 S/FTP Mobile Cable Reel, PUR, 60 m

Packaging Information

Packing Dimension	350 x 240 x 445 mm
Packing Weight	4.4 kg
Carton Dimension	350 x 240 x 445 mm
Carton Q'ty	1 pc
Carton Weight	4.4 kg



CQ5060S



4 052792 070330

Made in China

www.2direct.de



*The specifications and pictures are subject to change without prior notice.
*All trade names referenced are the registered trademarks of their respective owners.

X-ON Electronics

Largest Supplier of Electrical and Electronic Components

Click to view similar products for [Ethernet Cables / Networking Cables](#) category:

Click to view products by [Logilink](#) manufacturer:

Other Similar products are found below :

[73-7795-1](#) [MCJB2-10P6Q7-120](#) [84909-0204](#) [1200700174](#) [1200860368](#) [E16A06002M030](#) [E200102-009-S1](#) [AX105346-EW](#) [MT14-187L](#)
[MWDM2L-51GS-6J1-2.82B](#) [ERWPAB3002M005](#) [190-038045-01](#) [NK5EPC1GRY](#) [NK5EPC4Y](#) [1969343-6](#) [ICD056GVP163D-C0](#)
[C5UMB3FBG](#) [C631208025](#) [C631208035](#) [C6F1106015](#) [2142758-2](#) [2168427-2](#) [21949-1](#) [2J1866A](#) [RJF SFTP 5E 0500](#) [AX100351](#)
[UTPCH14GY](#) [45-5684](#) [09459711142](#) [100345-1301](#) [MWDM2L-25P-8K1-.500B](#) [MWDM6L-31S-6C4-.375H](#) [73-7793-1](#) [74764-1101](#)
[WHU18-3636-048](#) [RJF2SA2G05100BTX](#) [1R4000A39M030](#) [UTPSP6GY](#) [UTPSP2GY](#) [UTPSP10GY](#) [UTPCH5GY](#) [UTP28SP15M](#)
[UTP28CH100OR](#) [74764-2301](#) [E66A06002M020](#) [NPC-5E-010-GY](#) [SAC-5P-MS/ 1.0-920/FS SCO AR](#) [1-3636-601-5211](#) [1-3636-600-5212](#) [1-3636-461-5208](#)