



## Cat.7A 1200MHz LAN Cable on Spool with Cat.6A Keystone Jack and Face Plate, 90m, Orange

### Technical Features

Mobile Spool for easy installation & transportation

S/FTP PiMF, 4x 2x AWG23/1, bare copper

LSZH jacket O.D. 8.2mm

With Cat.6A keystone jack and 86x86 mm face plate

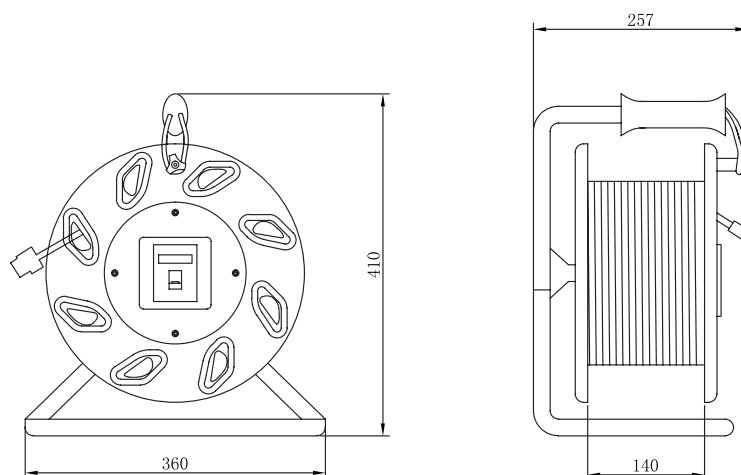
ISO/IEC 11801:2002, ISO/IEC EN 50173, EIA/TIA 568-C Cat.7A, IEC 60603-7-51

Supports PoE per IEEE 802.3af, PoE+ per IEEE 802.3at

Indoor use, operating temperature: -10 - 60°C

Cable color: Orange

### Technical Drawings



CQ5090S



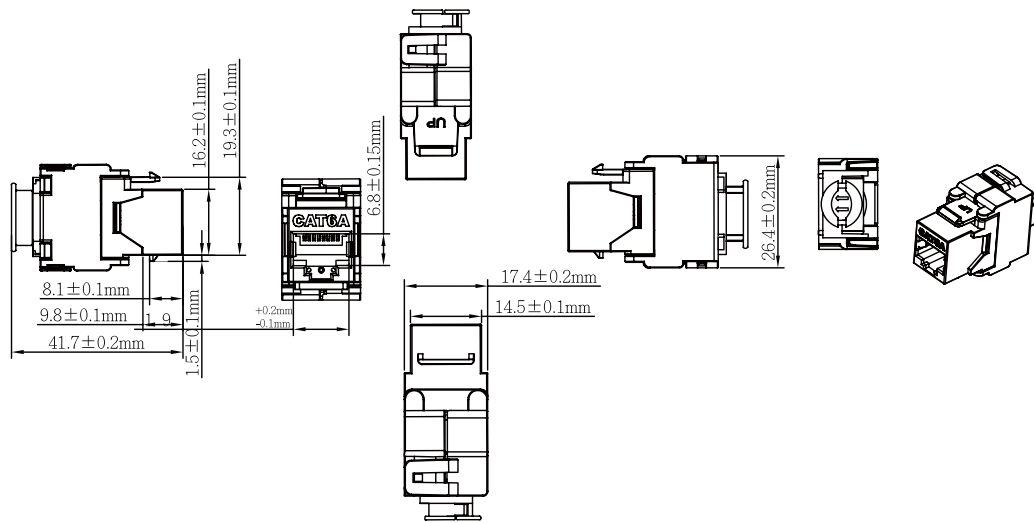
4 052792 039863

Made in China

[www.logilink.de](http://www.logilink.de)



\* The specifications and pictures are subject to change without notice.  
\*All trade names referenced are the registered trademark of their respective owners.



## Package Contents

Cat.7A S/FTP Cable Spool 90m x 1

## Packaging Informations

Packing Dimension	435 x 395 x 295mm
Packing Weight	8kg
Carton Dimension	435 x 395 x 295mm
Carton Q'ty	1 pcs
Carton Weight	8kg



CQ5090S



4 052792 039863

Made in China

[www.logilink.de](http://www.logilink.de)



RoHS  
compliant

\* The specifications and pictures are subject to change without notice.  
\*All trade names referenced are the registered trademark of their respective owners.

## X-ON Electronics

Largest Supplier of Electrical and Electronic Components

*Click to view similar products for [Ethernet Cables / Networking Cables](#) category:*

*Click to view products by [Logilink](#) manufacturer:*

Other Similar products are found below :

[0152660053](#) [603020002](#) [73-7797-25](#) [73-8890-10](#) [73-8890-14](#) [73-8891-14](#) [73-8891-25](#) [73-8892-50](#) [73-8894-10](#) [73-8894-3](#) [73-8895-14](#) [73-8896-7](#) [MCJB2-10P6Q7-120](#) [84909-0204](#) [9QA0-111-12-3.00](#) [1200650742](#) [1200700174](#) [1200860368](#) [1200650013](#) [1201080008](#) [1-21919-1](#) [1300500373](#) [1300101844](#) [1300101845](#) [130050-0004](#) [1300500014](#) [1410147](#) [E16A06002M030](#) [E200102-009-S1](#) [MT14-187L](#) [17-103530](#) [NK5EPC18RDY](#) [NK5EPC18VLY](#) [NK5EPC18YLY](#) [NK5EPC1GRY](#) [NK5EPC30BLY](#) [NK5EPC30VLY](#) [NK5EPC30YLY](#) [NK5EPC4Y](#) [NK5EPC6YLY](#) [NK5EPC8BLY](#) [NK5EPC9YLY](#) [NK6PC30BUY](#) [NK6PC30GRY](#) [NK6PC30RDY](#) [NK6PC30Y](#) [NK6PC30YLY](#) [1969343-6](#) [C501100010](#) [C501106002](#)