



CAT8.1 S/FTP Patch Cable

Technical Features

Premium CAT 8.1 Round Patch Cord

Cat.8.1 Class I ISO11801 channel tested

Application: 40G Base-T, PoE+, PoE++

Wire: 4 x 2 x 26/7 AWG bare copper

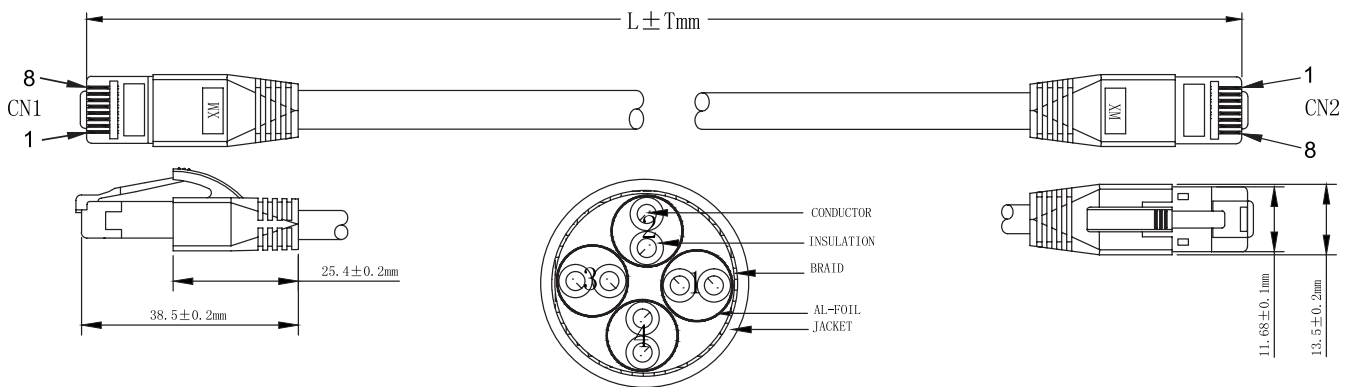
Shielding: Overall screen, pairs in metal foil (PiMF)

Cable: LSZH sheath, 6.2mm cable OD

Plug: RJ45, shielded, 50μ gold plated contacts

Color of cable: Black

Technical Drawing



Art-No.	Cable Length	EAN Code
CQ8023S	0.5m	4052792052077
CQ8033S	1m	4052792052084
CQ8043S	1.5m	4052792052091
CQ8053S	2m	4052792052107
CQ8063S	3m	4052792052114
CQ8073S	5m	4052792052121
CQ8093S	10m	4052792052138
CQ8103S	15m	4052792052152

Package Content

CAT8.1 S/FTP Patch Cable x 1

Packaging Information

Art-No.	Packing Dimension	Packing Weight	Carton Dimension	Carton Q'ty	Carton Weight
CQ8023S	180 x 130 x 15mm	0.0340kg	400 x 300 x 300mm	200pcs	7.6kg
CQ8033S	180 x 180 x 11mm	0.0544kg	400 x 300 x 300mm	140pcs	8.4kg
CQ8043S	185 x 185 x 16mm	0.0745kg	400 x 300 x 300mm	100pcs	8.1kg
CQ8053S	185 x 185 x 16mm	0.0930kg	400 x 300 x 300mm	80pcs	8.4kg
CQ8063S	185 x 185 x 20mm	0.1320kg	400 x 300 x 300mm	60pcs	8.6kg
CQ8073S	185 x 185 x 23mm	0.2104kg	400 x 300 x 300mm	40pcs	9.1kg
CQ8093S	190 x 190 x 40mm	0.3954kg	400 x 300 x 300mm	25pcs	11.2kg
CQ8103S	220 x 220 x 45mm	0.6010kg	400 x 300 x 300mm	18pcs	11.3kg



X-ON Electronics

Largest Supplier of Electrical and Electronic Components

Click to view similar products for [Audio Cables](#) / [Video Cables](#) / [RCA Cables](#) category:

Click to view products by [Logilink](#) manufacturer:

Other Similar products are found below :

[59384500100E](#) [73-6310-10](#) [73-6311-10](#) [73-6313-3](#) [73-6313-6](#) [PCX-60-50](#) [RCA10RCA](#) [1-3737-600-3216](#) [15AK25X](#) [25FK25](#) [LF3BLX](#) [30-1511-10](#) [30AR30](#) [30AK30](#) [30AN30](#) [RCA05RCA](#) [RCA05RCAB](#) [RCA05TS](#) [RCA10RCAB](#) [420001400-3](#) [426058900-3](#) [TT6RX](#) [TT7BKX](#) [TT93602](#) [426058300-3](#) [LF1BKX](#) [LF3RX](#) [0887418300](#) [73-6312-6](#) [73-6314-3](#) [73-6352-3](#) [VMP3YX](#) [VMP2YX](#) [68767-0003](#) [TT746](#) [TT744](#) [CN13B](#) [LF4GNX](#) [LF2GYX](#) [426494200-3](#) [LF1RX](#) [VMPBNCF](#) [LF10GNX](#) [427492100-3](#) [LF4BLX](#) [TT747N2](#) [TT864](#) [LF2YX](#) [426491500-3](#) [426523700-3](#)