

CAT8.1 S/FTP Patch Cable

Technical Features

Premium CAT 8.1 Round Patch Cord

Cat.8.1 Class I ISO11801 channel tested

Application: 40G Base-T, PoE+, PoE++

Wire: 4 x 2 x 26/7 AWG bare copper

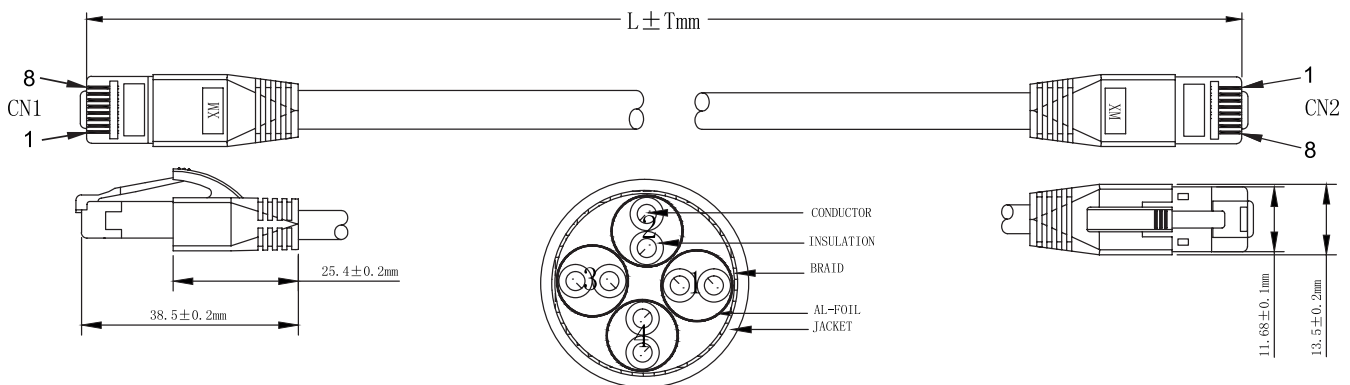
Shielding: Overall screen, pairs in metal foil (PiMF)

Cable: LSZH sheath, 6.2mm cable OD

Plug: RJ45, shielded, 50 μ gold plated contacts

Color of cable: Blue

Technical Drawing



Art-No.	Cable Length	EAN Code
CQ8026S	0.5m	4052792051995
CQ8036S	1m	4052792052008
CQ8046S	1.5m	4052792052015
CQ8056S	2m	4052792052022
CQ8066S	3m	4052792052039
CQ8076S	5m	4052792052046
CQ8096S	10m	4052792052053
CQ8106S	15m	4052792052169

Package Content

CAT8.1 S/FTP Patch Cable x 1

Packaging Information

Art-No.	Packing Dimension	Packing Weight	Carton Dimension	Carton Q'ty	Carton Weight
CQ8026S	180 x 130 x 15mm	0.0340kg	400 x 300 x 300mm	200pcs	7.6kg
CQ8036S	180 x 180 x 11mm	0.0544kg	400 x 300 x 300mm	140pcs	8.4kg
CQ8046S	195 x 195 x 15mm	0.0745kg	400 x 300 x 300mm	100pcs	8.1kg
CQ8056S	185 x 185 x 16mm	0.0930kg	400 x 300 x 300mm	80pcs	8.2kg
CQ8066S	185 x 185 x 20mm	0.1320kg	400 x 300 x 300mm	60pcs	8.6kg
CQ8076S	185 x 185 x 23mm	0.2104kg	400 x 300 x 300mm	40pcs	9.1kg
CQ8096S	190 x 190 x 40mm	0.3954kg	400 x 300 x 300mm	25pcs	11.2kg
CQ8106S	220 x 220 x 45mm	0.6010kg	400 x 300 x 300mm	18pcs	11.5kg



X-ON Electronics

Largest Supplier of Electrical and Electronic Components

Click to view similar products for [Audio Cables](#) / [Video Cables](#) / [RCA Cables](#) category:

Click to view products by [Logilink](#) manufacturer:

Other Similar products are found below :

[59384500100E](#) [73-6310-10](#) [73-6311-10](#) [73-6313-3](#) [73-6313-6](#) [PCX-60-50](#) [RCA10RCA](#) [1-3737-600-3216](#) [15AK25X](#) [25FK25](#) [LF3BLX](#) [30-1511-10](#) [30AR30](#) [30AK30](#) [30AN30](#) [RCA05RCA](#) [RCA05RCAB](#) [RCA05TS](#) [RCA10RCAB](#) [420001400-3](#) [426058900-3](#) [TT6RX](#) [TT7BKX](#) [TT93602](#) [426058300-3](#) [LF1BKX](#) [LF3RX](#) [0887418300](#) [73-6312-6](#) [73-6314-3](#) [73-6352-3](#) [VMP3YX](#) [VMP2YX](#) [68767-0003](#) [TT746](#) [TT744](#) [CN13B](#) [LF4GNX](#) [LF2GYX](#) [426494200-3](#) [LF1RX](#) [VMPBNCF](#) [LF10GNX](#) [427492100-3](#) [LF4BLX](#) [TT747N2](#) [TT864](#) [LF2YX](#) [426491500-3](#) [426523700-3](#)