

# LogiLink®

## USB 4 Gen 3x2 Type-C Cable

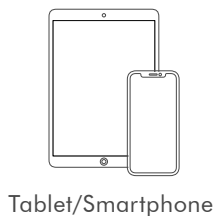
E-mark, PD 3.0, 40 Gbps, USB-IF Certificated,  
0,8 m

Art. No.: CU0180

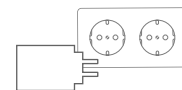


This USB 4 Gen 3 Type-C Cable built-in E-mark chip; supports the devices intelligently to deliver the fastest charging up to 20 V/5 A (100 W). Also, provides the data transfer up to 40 Gbps and video resolution up to UHD 8K/60 Hz. Ideal for increasing your working efficiency.

- » Compatible with USB 4 standard for data transferring speed up to 40 Gbps and with USB-IF approval
- » Supports Power Delivery 3.0 up to 100 W (20 V/5 A); with an E-mark chip allows you to reliably power USB-C devices at the possible fastest speed
- » Supports USB-C DP ALT mode
- » Compatible with Thunderbolt™ 4
- » Resolution up to UHD 8K/60 Hz
- » Supports reversible USB-C connector
- » Triple shielded, nickel plated connector and TPE jacket
- » Compatible with most USB-C enabled Laptop, smartphone and tablet devices



### Fast Charging



100 W USB-C Power Adapter



with E-mark



**0.8 m**  
Cable Length



\*The maximum power output is depending on the device to be charge and the power adapter used.



\*The specifications and pictures are subject to change without prior notice.  
\*All trade names referenced are the registered trademarks of their respective owners.



CU0180



Made in China

# LogiLink®

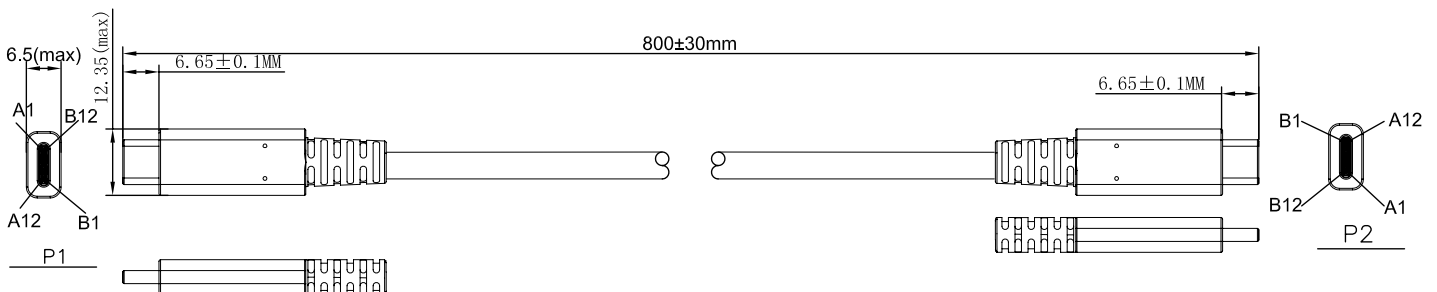
## USB 4 Gen 3x2 Type-C Cable

E-mark, PD 3.0, 40 Gbps, USB-IF Certificated,  
0,8 m

Art. No.: CU0180

### Specifications:

|                    |                           |
|--------------------|---------------------------|
| Connection 1       | USB 4 Gen 3, type-C, male |
| Connection 2       | USB 4 Gen 3, type-C, male |
| Connector Material | Nickel Plated             |
| Data Transfer Rate | Up to 40 Gbps             |
| Max. Current       | Up to 5 A                 |
| Video Resolution   | Up to 8K/60 Hz            |
| Cable Length       | 0,8 m                     |
| Color              | White                     |



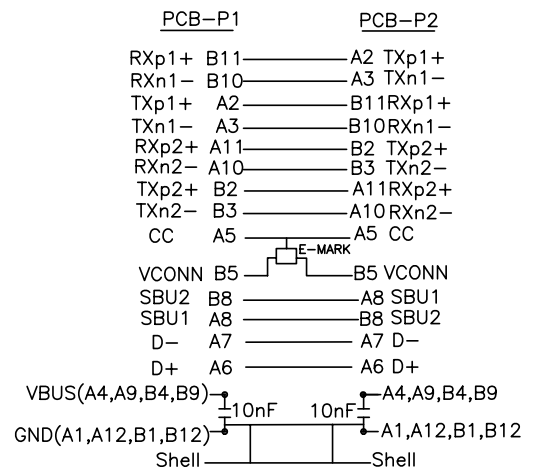
### Package Content:

- » 1x USB 4 Gen 3 Type-C Cable

### Package Information:

- » Packing Dimension: 136x148x10,6 mm
- » Packing Weight: 0,052 kg
- » Carton Dimension: 500x320x210 mm
- » Carton Q'ty: 200 pcs
- » Carton Weight: 11,1 kg

### Pin Assignment



\*The specifications and pictures are subject to change without prior notice.  
\*All trade names referenced are the registered trademarks of their respective owners.



CU0180



4 052792 066661

Made in China

## X-ON Electronics

Largest Supplier of Electrical and Electronic Components

*Click to view similar products for [Audio Cables](#) / [Video Cables](#) / [RCA Cables](#) category:*

*Click to view products by [Logilink](#) manufacturer:*

Other Similar products are found below :

[1-3737-600-3216](#) [LF3BLX](#) [30-513](#) [28-511-0](#) [RCA05RCAB](#) [427493000-3](#) [49152A-010-S2](#) [32-3766](#) [32HR07284X](#) [CAB-LFH-V16A16S0](#)  
[DB25M02XLRMXLRFY](#) [426052000-3](#) [LF1BKX](#) [TT746](#) [CA-MINIDP-DVIM-6FT](#) [CA-MINIDP-DVIM-3FT](#) [CA-MINIDP-DVIM-10FT](#)  
[CA-MINIDP-VGAF-3FT](#) [CA-MINIDP-HDMIF-6FT](#) [MDC8P53](#) [LF10GNX](#) [427492100-3](#) [LF4BLX](#) [cab-DP to HDMI Passive](#) [VGA CABLE](#)  
[DISPLAYPORT TO VGA CABLE](#) [TT3GNX](#) [1700021831-01](#) [Audio Cable](#) [427491690-3](#) [427528000-3](#) [TT2PX](#) [SPEAKER CABLE](#)  
[L=300mm](#) [Speaker cable](#) [594E3412000E](#) [32007-005500-200-RS](#) [BCLBH](#) [BANHF](#) [BAPHG](#) [COQBI](#) [COQBG](#) [COEHG](#) [COJBI](#) [DAEBK](#)  
[51771](#) [39448](#) [VAB-S04-L](#) [VAS-A13-B200](#) [VAS-A13-B300](#) [KABADA USBC/JACK OEM-C11](#)