

LogiLink®

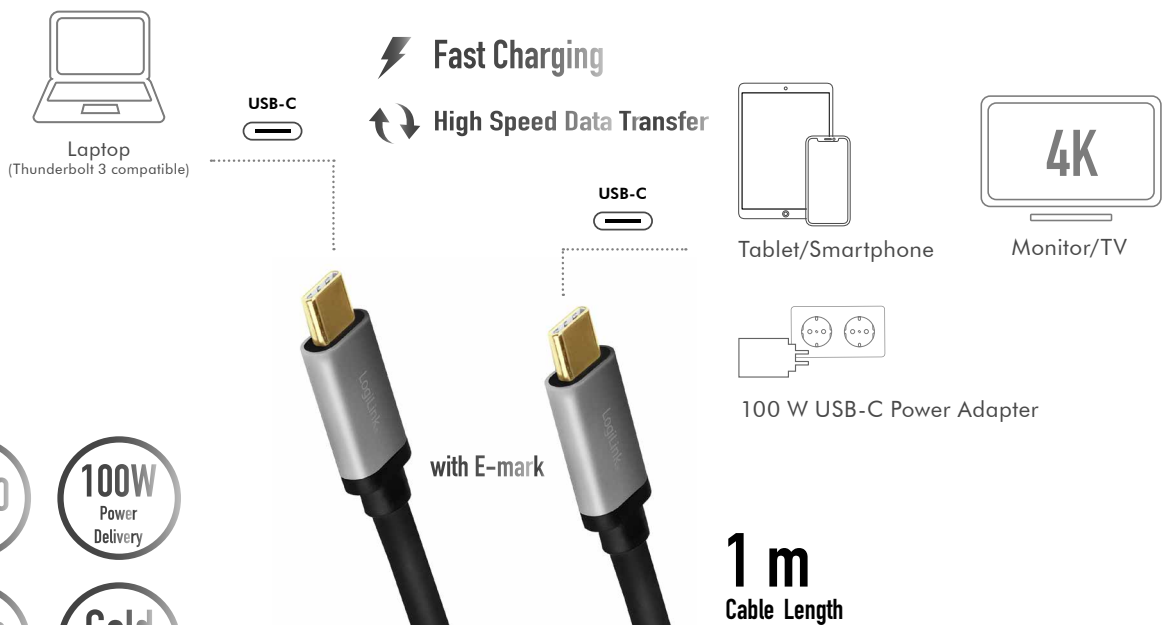
USB-C™ 3.2 Gen 2 Cable with E-mark & PD, 1 m

Art. No.: CUA0107



This USB-C 3.2 Gen 2 cable provides you the fastest charging and synchronization; the PD fast charging with E-mark chip supports the device intelligently and delivers the fastest available current up to 20 V/5 A (100 W). Sync the data of your laptops, tablets and smartphones at high speed up to 10 Gbps.

- » Supports Power Delivery 3.0 up to 100 W (20 V/5 A); with an E-mark chip allows you to reliably power USB-C devices at the possible fastest speed
- » Supports data transfer speeds of up to 10 Gbps
- » Compatible with Thunderbolt 3
- » Supports charging, data transfer for audio and video resolution up to Ultra HD 4K@60 Hz
- » Works for source devices with USB-C or Thunderbolt 3 port interfaces that support the DisplayPort alternate mode (DP Alt mode)
- » Enjoy the highly qualified image quality and sound effect
- » Supports reversible USB-C connector
- » USB-C plug with gold plated connector and contacts provides a solid quality for connection
- » Slim and elegant design with aluminum alloy body and unibody structure
- » Compatible with most USB-C enabled Laptop, smartphone and tablet devices



*The maximum power output is depending on the device to be charge and the power adapter used.



*The specifications and pictures are subject to change without prior notice.
*All trade names referenced are the registered trademarks of their respective owners.



LogiLink®

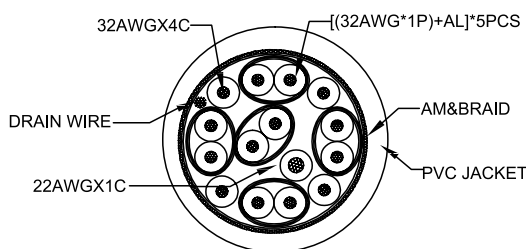
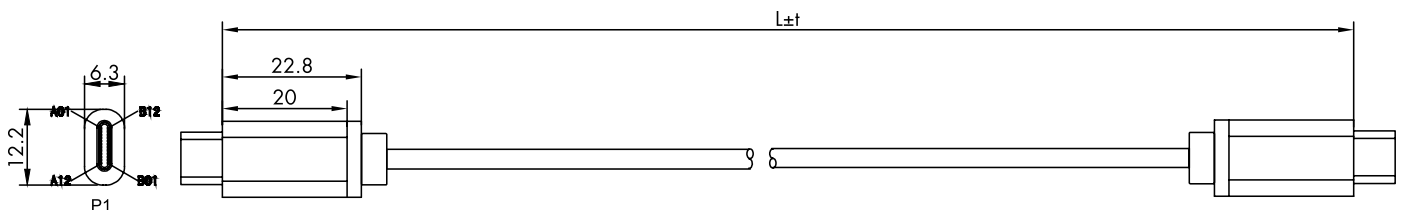
USB-C™ 3.2 Gen 2 Cable with E-mark & PD, 1 m

Art. No.: CUA0107

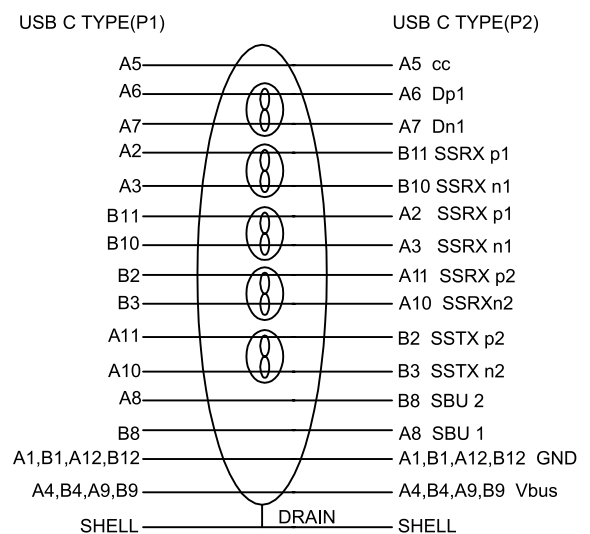


Specifications:

Connection 1	USB-C 3.2 Gen 2, male
Connection 2	USB-C 3.2 Gen 2, male
Connector Material	Gold-Plated
Data Transfer Rate	Up to 10 Gbps
Max. Resolution	4K@60 Hz
Max. Current	Up to 5 A
Cable Length	1 m
Color	Black/Grey



PIN ASSIGNMENT:



Package Content:

- » 1x USB-C 3.2 Gen 2 Cable

Package Information:

- » Packing Dimension: 193x177x10 mm
- » Packing Weight: 0.045 kg
- » Carton Dimension: 420x380x220 mm
- » Carton Q'ty: 140 pcs
- » Carton Weight: 7.7 kg



*The specifications and pictures are subject to change without prior notice.
*All trade names referenced are the registered trademarks of their respective owners.



CUA0107
4 052792 062274

Made in China

X-ON Electronics

Largest Supplier of Electrical and Electronic Components

Click to view similar products for [Logilink manufacturer](#):

Other Similar products are found below :

[CV0036A](#) [FA01SC4](#) [FA02LC3](#) [FA04LC3](#) [BP0002](#) [NK0021](#) [NK0023](#) [NP0021](#) [NP0048](#) [NP0057](#) [LPS219](#) [CHB3105](#) [CP0141](#) [CQ2091U](#)
[CQ2096U](#) [CQ2099S](#) [CV0058](#) [UA0131](#) [UA0216](#) [NK0024](#) [NP0017A](#) [NP0053](#) [CHB1115](#) [CQ2102U](#) [CA1022](#) [CHA0010](#) [CHA0030](#)
[CHB003](#) [CQ4049S](#) [CQ4102S](#) [CQ5067S](#) [CU0072](#) [CV0021](#) [CV0041](#) [CV0054A](#) [CV0093](#) [CV0094](#) [ID0135](#) [ID0137](#) [FB0001B](#) [FB2401B](#)
[FB2402B](#) [FB3001](#) [FL0LC02](#) [FL2LC02](#) [FL2SC02](#) [FL3LC02](#) [FL4LC02](#) [FL4SC02](#) [FP1LS05](#)