

LogiLink®

USB-C™ 3.2 Gen 2 to HDMI™ AOC Cable

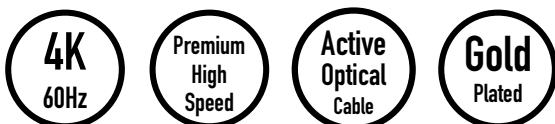
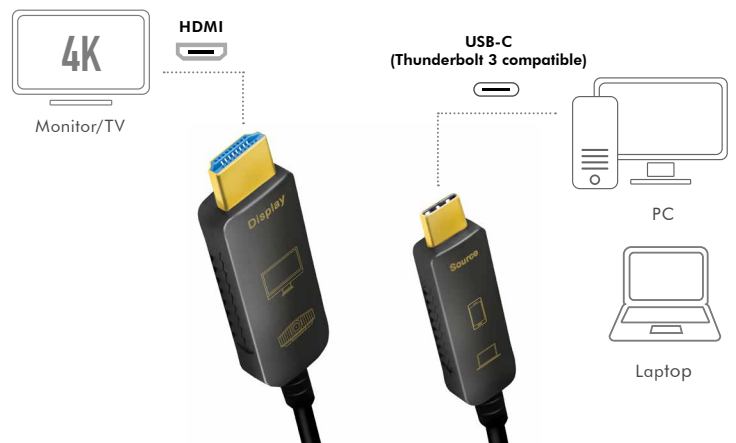
Art. No.: CUF0100
CUF0101
CUF0102



The USB 3.2 Gen 2 to HDMI AOC cable allows you to connect your USB-C equipped laptop, tablet or computer to a HDMI display; supports video resolution up to Ultra HD 4K. The active optical solution ensures the mass signal will be transmitted in a lossless way even long distance and no external power needed.

- » Compliant to USB 3.2 Gen 2 specification and backward compatible with earlier USB versions
- » Supports reversible USB-C connector
- » Compatible with Thunderbolt 3
- » Works for source devices with USB-C or Thunderbolt 3 port interfaces that support the alternative DisplayPort mode (DP Alt mode)
- » Compliant to Premium High Speed HDMI specification and backward compatible with earlier HDMI versions
- » Supports high quality video up to 4K@60 Hz
- » Supports the static HDR of 4K@60 Hz HDMI and 12-bit color processing technology
- » Supports bandwidth up to 18 Gbps
- » Support audio formats such as PCM 2.0-7.1, DTS-HD Master Audio, Dolby TrueHD, 3D Audio
- » Supports extended color spaces such as x.v. Color + Deep Color up to 48 bit color depth
- » Supports EDID (Extended Display Identification Data), ARC (Audio Return Channel) and CEC (Consumer Electronics Control)
- » Supports HDCP functions as well as the connected devices supporting
- » Active optical cable is perfect solution to transfer large and high quality data over long lengths without nearly any loss
- » With gold plated connector provides excellent video and audio quality
- » Connect your USB-C equipped desktop/laptop directly to an HDTV, display and monitor with HDMI to stream HD audio and video from your computer to your monitor

Art-No.	Cable Length	EAN Code
CUF0100	10 m	4052792063219
CUF0101	15 m	4052792063226
CUF0102	20 m	4052792063233



*The specifications and pictures are subject to change without prior notice.
*All trade names referenced are the registered trademarks of their respective owners.

Made in China

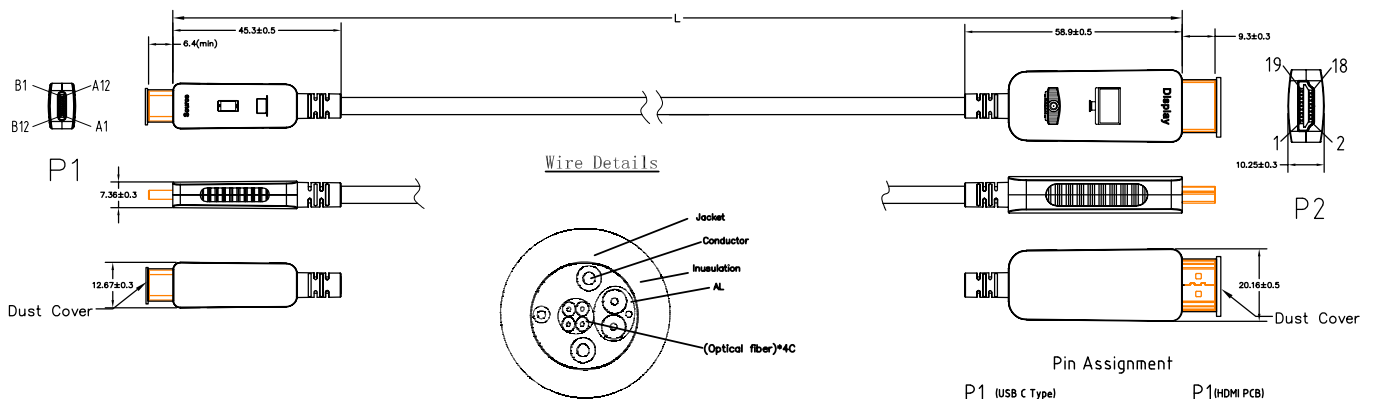
LogiLink®

USB-C™ 3.2 Gen 2 to HDMI™ AOC Cable

Art. No.: CUF0100
CUF0101
CUF0102

Specifications:

Connection 1	USB-C 3.2 Gen 2, male
Connection 2	HDMI-A 19pin, male
Connector Material	Gold-Plated
Max. Resolution	4K@60 Hz
Data Transfer Rate	Up to 10.2 Gbps
Color	Black



Unit:mm

Package Content:

» 1x USB-C 3.2 Gen 2 to HDMI AOC Cable

Package Information:

Art-No.	Packing Dimension	Packing Weight	Carton Dimension	Carton Q'ty	Carton Weight
CUF0100	200x200x60 mm	0,54 kg	440x330x220 mm	10 pcs	6 kg
CUF0101	200x200x60 mm	0,67 kg	440x330x220 mm	10 pcs	7,3 kg
CUF0102	200x200x60 mm	0,82 kg	440x330x220 mm	10 pcs	8,8 kg



*The specifications and pictures are subject to change without prior notice.
*All trade names referenced are the registered trademarks of their respective owners.

Made in China

X-ON Electronics

Largest Supplier of Electrical and Electronic Components

Click to view similar products for [Logilink manufacturer](#):

Other Similar products are found below :

[AA0031](#) [AA0035](#) [AA0039B](#) [AA0039W](#) [AA0050](#) [AA0063](#) [AA0065](#) [AA0069](#) [AA0089](#) [AA0103](#) [AA0104](#) [AA0105](#) [AA0107](#) [AA0112](#)
[AA0113](#) [AA0115](#) [AA0119](#) [AA0120](#) [AA0121](#) [AA0122](#) [AA0153](#) [AD0001](#) [AD0002](#) [AD0008](#) [AD0009](#) [AD0010](#) [AD0011](#) [AD0013](#) [AD0014](#)
[AD0015](#) [AD0017](#) [AD0019](#) [AD0020](#) [AD0021](#) [AD0022](#) [AH0001](#) [AH0002](#) [AH0005](#) [AH0006](#) [AH0007](#) [AH0008](#) [AH0009](#) [AH0010](#) [AH0011](#)
[AH0012](#) [AH0014](#) [AH0015](#) [AU0002E](#) [AU0003C](#) [AU0004A](#)