

# LogiLink®

## Compact Foot Rocker

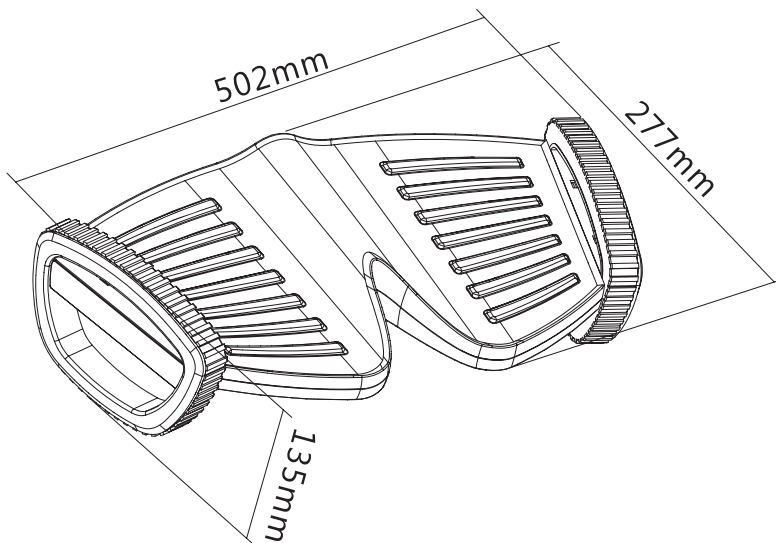
Art. No.: EO0006



Improve circulation and reduce pressure on your legs from sitting long hours in the office.

### Features:

- » High setting for large rocking motion
- » Low setting for quick rocking motion
- » Anti-slip design for stability
- » Durable product with maximum capacity of 10kg
- » Color: Black



Anti-slip Design



High setting for large rocking motion



Low setting for quick rocking motion



\* The specifications and pictures are subject to change without notice.  
\* All trade names referenced are the registered trademark of their respective owners.



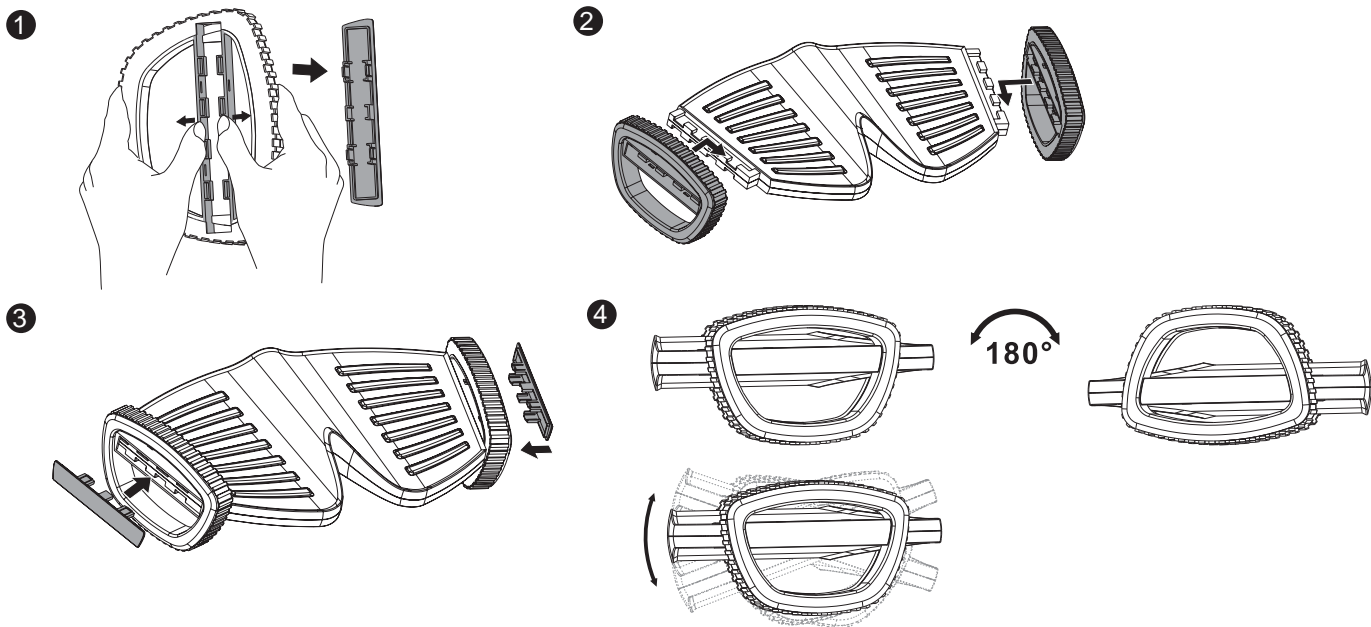
EO0006



4 052792 048117

Made in China

Best Connectivity



### Specification:

Rated Load	10kg (22lbs)
Angle	0°~40°
Color	Black
Product Dimension	502 x 277 x 135mm

### Package Contents:

- » 1 x Compact Foot Rocker

### Package Informations:

- » Packing Dimension: 515 x 285 x 70mm
- » Packing Weight: 1.44kg
- » Carton Dimension: 535 x 455 x 305mm
- » Carton Q'ty: 6pcs
- » Carton Weight: 10.15kg



\* The specifications and pictures are subject to change without notice.  
 \*All trade names referenced are the registered namework of their respective owners.



EO0006



Made in China

Best Connectivity

## **X-ON Electronics**

Largest Supplier of Electrical and Electronic Components

*Click to view similar products for [Logilink manufacturer](#):*

Other Similar products are found below :

[CV0036A](#) [FA01SC4](#) [FA02LC3](#) [FA04LC3](#) [BP0002](#) [NK0021](#) [NK0023](#) [NP0021](#) [NP0048](#) [NP0057](#) [LPS219](#) [CHB3105](#) [CP0141](#) [CQ2091U](#)  
[CQ2096U](#) [CQ2099S](#) [CV0058](#) [UA0131](#) [UA0216](#) [NK0024](#) [NP0017A](#) [NP0053](#) [CHB1115](#) [CQ2102U](#) [CA1022](#) [CHA0010](#) [CHA0030](#)  
[CHB003](#) [CQ4049S](#) [CQ4102S](#) [CQ5067S](#) [CU0072](#) [CV0021](#) [CV0041](#) [CV0054A](#) [CV0093](#) [CV0094](#) [ID0135](#) [ID0137](#) [FB0001B](#) [FB2401B](#)  
[FB2402B](#) [FB3001](#) [FL0LC02](#) [FL2LC02](#) [FL2SC02](#) [FL3LC02](#) [FL4LC02](#) [FL4SC02](#) [FP1LS05](#)