

# LogiLink®



## 2-Stage Manual Sit-Stand Desk Frame

Art. No.: EO0010

The LogiLink sit-stand desk frame is ideal for office, school and home environments. Removable handle crank offers smooth, easy manual adjustable experience!

### Features:

- » Foldable design prevents interference between you and the desk
- » Sleek design blends into various modern interior designs
- » Adjustable width fits a variety of desktop shapes and sizes
- » Choose your own desktop style including size, shape, material and color (Suggested table top size: 1200-1800 x 650-850 mm)
- » 4 adjustable feet level and adapt to most any floor surface
- » Perfect for office, schools, home, and most working environments
- » Durable product with maximum capacity of 70kg



Manual height adjustable desk



Width adjustable fitting a variety of desktop shapes and sizes



\* The specifications and pictures are subject to change without notice.

\*All trade names referenced are the registered trademark of their respective owners.



EO0010



4 052792 050646

Made in China

Best Connectivity

# LogiLink®

## 2-Stage Manual Sit-Stand Desk Frame

Art. No.: EO0010



### Specification:

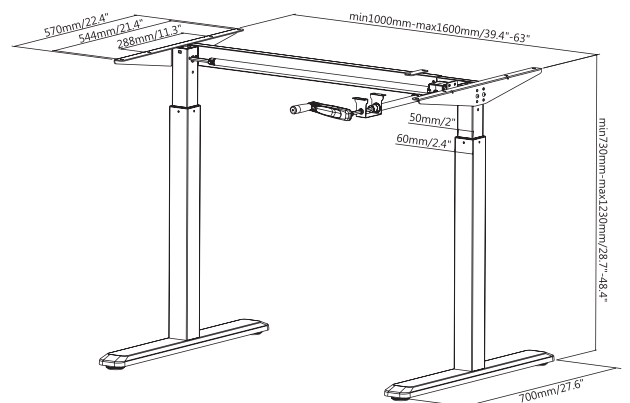
Material	Plastic, Steel
Dimensions	1600 x 1230 x 700mm
Worksurface Size (LxW)	1200-1800 x 650-850mm
Width Range	1000-1600mm
Height Range	730-1230mm
Frame Orientation	Rectangular
Tabletop Thickness	≥25mm
Weight Capacity	70kg
Column Design	Reversed Column
Column Segments	Two Stage Column
Column Size	60 x 60 / 50 x 50mm
Leg Quantity	2
Max. Speed	10mm
Adjustable Feet Pad	Yes
Control Panel Type	Touch Control Panel
Suggested Operating Temperature	-5°C ~40°C
Frame Color	Black, White, Grey

### Package Contents:

- » 1 x Desk Frame
- » 1 x Screw Pack
- » 1 x User Manual

### Package Informations:

- » Packing Dimension: 1125 x 265 x 160mm
- » Packing Weight: 22.44kg
- » Carton Dimension: 1125 x 265 x 160mm
- » Carton Q'ty: 1pcs
- » Carton Weight: 22.44kg



\* The specifications and pictures are subject to change without notice.  
\*All trade names referenced are the registered trademark of their respective owners.



EO0010



4 052792 050646

Made in China

Best Connectivity

## **X-ON Electronics**

Largest Supplier of Electrical and Electronic Components

*Click to view similar products for [Logilink manufacturer](#):*

Other Similar products are found below :

[AA0031](#) [AA0035](#) [AA0039B](#) [AA0039W](#) [AA0050](#) [AA0063](#) [AA0065](#) [AA0069](#) [AA0089](#) [AA0103](#) [AA0104](#) [AA0105](#) [AA0107](#) [AA0112](#)  
[AA0113](#) [AA0115](#) [AA0119](#) [AA0120](#) [AA0121](#) [AA0122](#) [AA0153](#) [AD0001](#) [AD0002](#) [AD0008](#) [AD0009](#) [AD0010](#) [AD0011](#) [AD0013](#) [AD0014](#)  
[AD0015](#) [AD0017](#) [AD0019](#) [AD0020](#) [AD0021](#) [AD0022](#) [AH0001](#) [AH0002](#) [AH0005](#) [AH0006](#) [AH0007](#) [AH0008](#) [AH0009](#) [AH0010](#) [AH0011](#)  
[AH0012](#) [AH0014](#) [AH0015](#) [AU0002E](#) [AU0003C](#) [AU0004A](#)