



## FTTH Surface Mount Box, 4 Ports

Art no.: FB1002

### Technical Features

For 4 SC-Simplex or 4 LC-Duplex Coupler

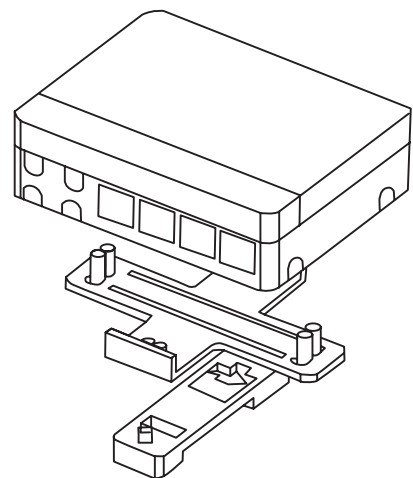
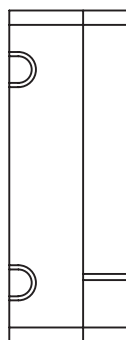
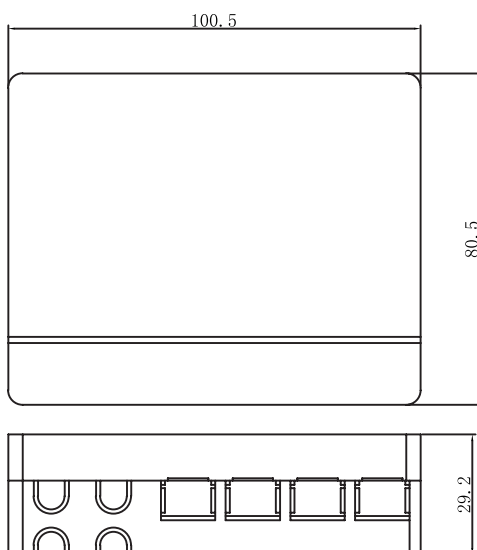
Capacity: Max. 8 cores

Dimension: 100.5 x 80.5 x 29.2 mm

With DIN rail bracket

Color: RAL9003 White

### Technical Drawings



FB1002



4 052792 052886

Made in China

[www.logilink.com](http://www.logilink.com)



\* The specifications and pictures are subject to change without notice.  
\*All trade names referenced are the registered trademark of their respective owners.

## Package Content

FTTH Surface Mount Box, 4 Ports x1

## Packaging Information

Packing Dimension	170 x 120 x 30mm
Packing Weight	0.075kg
Carton Dimension	450 x 250 x 250mm
Carton Q'ty	50pcs
Carton Weight	5.46kg



FB1002



4 052792 052886

Made in China

[www.logilink.com](http://www.logilink.com)



\* The specifications and pictures are subject to change without notice.  
\*All trade names referenced are the registered trademark of their respective owners.

## X-ON Electronics

Largest Supplier of Electrical and Electronic Components

*Click to view similar products for [Modular Connectors / Ethernet Connectors](#) category:*

*Click to view products by [Logilink](#) manufacturer:*

Other Similar products are found below :

[RJE231881317T](#) [MP1010RX-1000](#) [MP44RX-1000](#) [GAX-3-66](#) [GAX-8-62](#) [93606-0253](#) [GD-A-44](#) [GDCX-PA-66-50](#) [GDCX-PN-64](#) [GDCX-PN-66](#) [GDCX-PN-66-50](#) [GDLX-A-66](#) [GDLX-A-88](#) [GDLX-N-66](#) [GDLX-S-88K](#) [GDTX-S-88-50](#) [GDX-PA-1010](#) [GLX-A-44](#) [GLX-N-1010M-BLK](#) [GLX-N-44M](#) [GLX-S-88M-BLK](#) [GMX-N-1010](#) [GMX-S-1010](#) [GMX-S-66](#) [GMX-SMT2-N-1010](#) [GMX-SMT2-N-64-50](#) [GMX-SMT2-S6-88](#) [GMX-SMT4-N-88](#) [GPX-2-64](#) [GRT1-BT1-5](#) [GSGX-N-2-88](#) [GSX-NS2-88-3.05](#) [GSX-NS2-88-3.05-50](#) [GSX-NS-88-3.05-30](#) [GSX-NS-88-3.05-50](#) [GSX-NS-88-3.68](#) [1-1775629-2](#) [GWLX-S-88-GR](#) [GWLX-S9-88-YG](#) [1300500326](#) [1300500227](#) [1300530003](#) [1300570002](#) [1324640-4](#) [RJ11FTVC2G](#) [RJ11FTVC2N](#) [RJFTVX2SA1G](#) [132764-001](#) [1400000](#) [1413176](#)