

FTTH Termination Box 2 x SC/APC with Installation Cable

Technical Features

Fiber to the home termination box, fully assembled

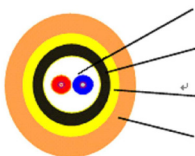
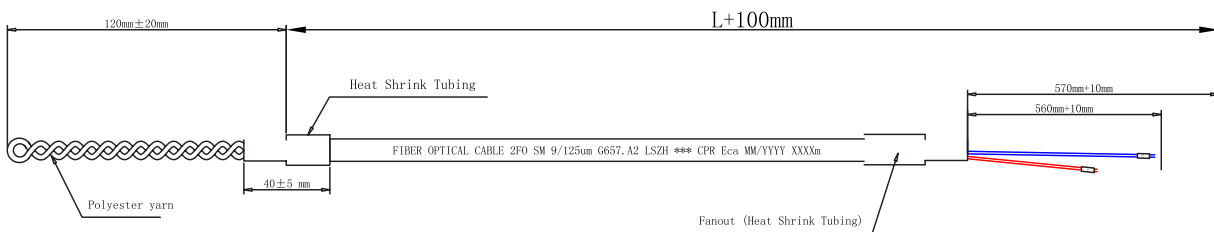
With 2-core breakout cable (easy to strip + easy to push out)

Prefabricated on one side with 2x SC/APC connector and adapter

Length	Art No.	EAN Code
20 m	FB2SC20	4052792066487
30 m	FB2SC30	4052792066494
40 m	FB2SC40	4052792066500
50 m	FB2SC50	4052792066517



Technical Drawings



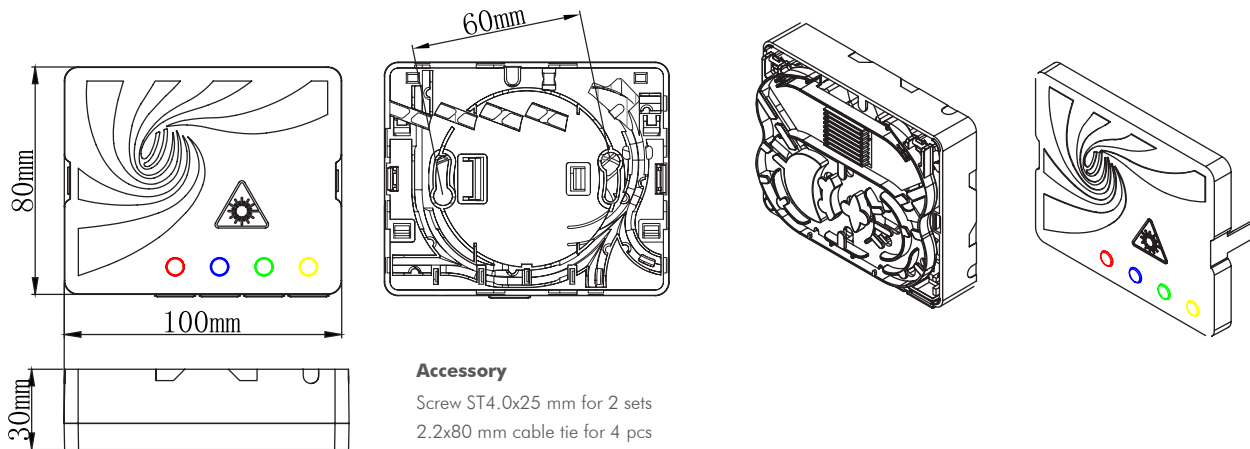
Colored Coating Fiber: 250um ± 15um
 Inner Jacket
 Polyester yarn
 Outer Jacket: White (RAL9001) 2.2mm ± 0.2mm

Test:

Test Grade Designation: Each to Each	
Grade 1L/RL	Grade B/1
Insertion Loss (IL)	97% ≤ 0.25dB mean ≤ 0.12dB IEC 61300-3-4
Return Loss (RL)	≥ 60dB IEC 61300-3-6
Test Wavelength	1310nm Single-Mode
End Face Inspection	× 400

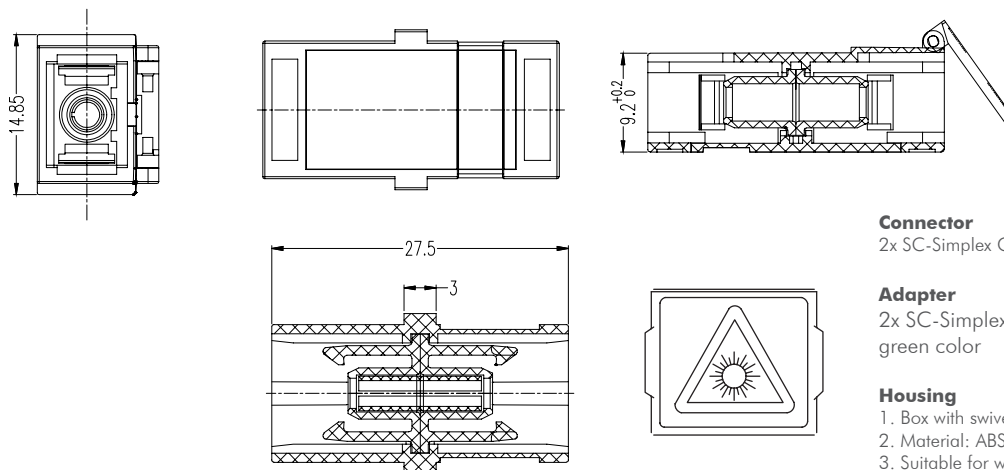
Cable

1. Single-mode fibre OS2 9/125 G657.A2, LSZH, 2 cores, 2.2 mm cable
2. Flame Retardant IEC 603321-2, Halogenfree IEC 60754-2, Smoke density IEC 61034
3. Reaction to fire: CPR Class Eca certified
4. Color: White (RAL 9001)



Accessory

Screw ST4.0x25 mm for 2 sets
2.2x80 mm cable tie for 4 pcs



Connector

2x SC-Simplex Connector APC 8°, with pigtail, green color

Adapter

2x SC-Simplex Adapter without flange, APC 8°, Grade B/1, green color

Housing

1. Box with swivelling splice tray including crimping splice holder
2. Material: ABS+PC (UL94-V0), for indoor use (IP20)
3. Suitable for wall mounting or Din-rail mounting (35 mm)
4. Color: White (RAL 9001)

Package Content

1x FTTH Termination Box 2 x SC/APC

Packaging Information

Cable Length	Packing Dimension	Packing Weight	Carton Q'ty	Packing Dimension	Packing Weight
20 m	250 x 235 x 50 mm	0,28 kg	10 pcs	480 x 265 x 260 mm	3,54 kg
30 m	250 x 235 x 50 mm	0,33 kg	10 pcs	480 x 265 x 260 mm	4,04 kg
40 m	250 x 235 x 50 mm	0,37 kg	10 pcs	480 x 265 x 260 mm	4,44 kg
50 m	250 x 235 x 50 mm	0,42 kg	10 pcs	480 x 265 x 260 mm	4,94 kg

X-ON Electronics

Largest Supplier of Electrical and Electronic Components

Click to view similar products for [Fibre Optic Cable Assemblies](#) category:

Click to view products by [Logilink](#) manufacturer:

Other Similar products are found below :

[7-21002-9](#) [MLB 501 V RED](#) [MLB 501 V YELLOW](#) [MLN 1002,5 RED](#) [1-3636-600-5208](#) [1-5018030-0](#) [2061529-7](#) [2-1925270-2](#) [3000005](#) [3-21053-2](#) [MLB 200/1 V BLACK](#) [MLB 2001 V RED](#) [MLB 501 V BLACK](#) [5492011-5](#) [5492011-8](#) [5492011-9](#) [33262310050018](#)
[33262310050017](#) [33262310050016](#) [8-21007-5](#) [106386-4447](#) [5018030-1](#) [2123909-4](#) [106273-0629](#) [2125046-1](#) [2821236-3](#) [2821310-2](#)
[2821310-3](#) [2821313-4](#) [FX2ERLNLNSNM0.5](#) [CF-980062-074](#) [FCBG410QD3C10](#) [CF-901200-394](#) [CF-980062-073](#) [CF-980062-072](#) [17-300310-100](#) [MIKROE-3728](#) [FA04474](#) [17-300870-23](#) [TCP-Q151B-NNE22](#) [SPTMBP1PACDF003](#) [59644](#) [FC0LC01](#) [59634](#) [59640](#) [59629](#)
[FB2SC20](#) [59659](#) [59606](#) [59645](#)