

CAT.6 Modular Plug, Toolless

Part no.: MP0025

Technical Features

Cat.6 UTP modular plug, toolless

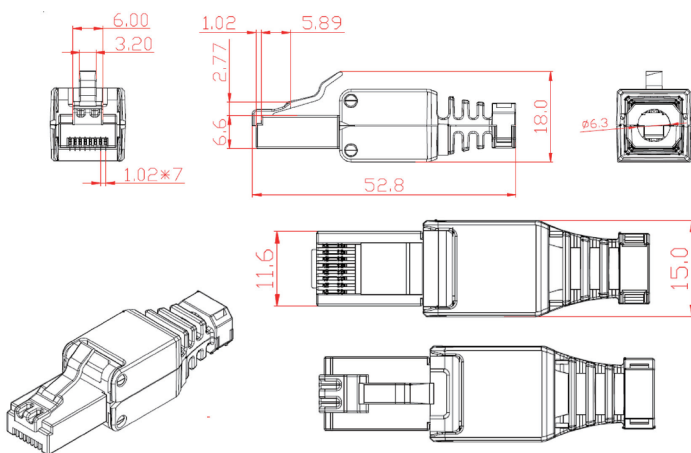
Wire: AWG22 – AWG26

Cable Diameter: 6.3mm max.

Material: PC

Color: White

Technical Drawings



Electrical

1. Contact Resistance: 20m ohms max
2. Insulation Resistance: 250m ohms min @500 DC
3. Withstand Voltage: DC1000V AC700V RMS 60Hz, imin
4. Cat.6 Permanent Link: Conform to Anst/TIA/EIA 568B.2-10

Environmental

1. Storage: -40°C±70°C
2. Operation: -10°C±60°C

Mechanical

1. Plastic Material: PC
2. IDC Material: PC
3. Terminal: Phosphor Bronze, Tin Gold 3U^{II}
4. RJ45 Contct Life: 750 times min
5. IDC Life: 750 times min
6. Wire: AWG22-26, Cable Diameter: 6.3mm max.

MP0025



4 052792 042504

Made in China

www.logilink.de



RoHS
compliant



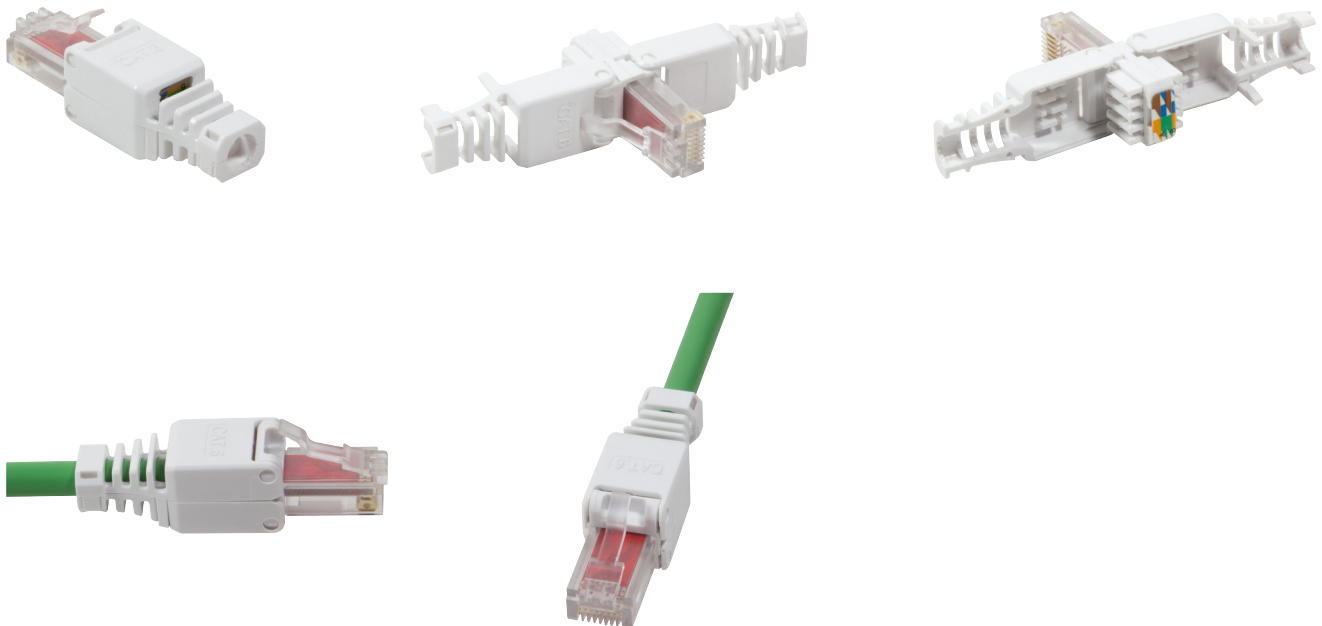
* The specifications and pictures are subject to change without notice.
*All trade names referenced are the registered network of their respective owners.

Package Contents

1 x CAT. 6 Modular Plug, Toolless

Packaging Informations

Packing Dimension	100 x 70 x 15mm
Packing Weight	0,008kg
Carton Dimension	620 x 420 x 230mm
Carton Q'ty	1000pcs
Carton Weight	9,5kg



MP0025



4 052792 042504

Made in China

www.logilink.de



RoHS
compliant



* The specifications and pictures are subject to change without notice.
*All trade names referenced are the registered trademark of their respective owners.

X-ON Electronics

Largest Supplier of Electrical and Electronic Components

Click to view similar products for [Modular Connectors / Ethernet Connectors](#) category:

Click to view products by [Logilink](#) manufacturer:

Other Similar products are found below :

[RJE231881317T](#) [MP1010RX-1000](#) [MP44RX-1000](#) [GAX-3-66](#) [GAX-8-62](#) [93606-0253](#) [GD-A-44](#) [GDCX-PA-66-50](#) [GDCX-PN-64](#) [GDCX-PN-66](#) [GDCX-PN-66-50](#) [GDLX-A-66](#) [GDLX-A-88](#) [GDLX-N-66](#) [GDLX-S-88K](#) [GDTX-S-88-50](#) [GDX-PA-1010](#) [GLX-N-1010M-BLK](#) [GLX-N-44M](#) [GLX-S-88M-BLK](#) [GMX-N-1010](#) [GMX-S-1010](#) [GMX-S-66](#) [GMX-SMT2-N-1010](#) [GMX-SMT2-N-64-50](#) [GMX-SMT2-S6-88](#) [GMX-SMT4-N-88](#) [GPX-2-64](#) [GRT1-BT1-5](#) [GSGX-N-2-88](#) [GSX-NS2-88-3.05](#) [GSX-NS2-88-3.05-50](#) [GSX-NS-88-3.05-30](#) [GSX-NS-88-3.05-50](#) [GSX-NS-88-3.68](#) [1-1775629-2](#) [GWLX-S-88-GR](#) [GWLX-S9-88-YG](#) [1300500326](#) [1300500227](#) [1300530003](#) [1300570002](#) [1324640-4](#) [RJ11FTVC2G](#) [RJ11FTVC2N](#) [RJFTVX2SA1G](#) [132764-001](#) [1400000](#) [1413176](#) [1413235](#)