



## Field Assembly RJ45 Plug Cat.8.1 EconLine

Part no.: MP0080

### Technical Features

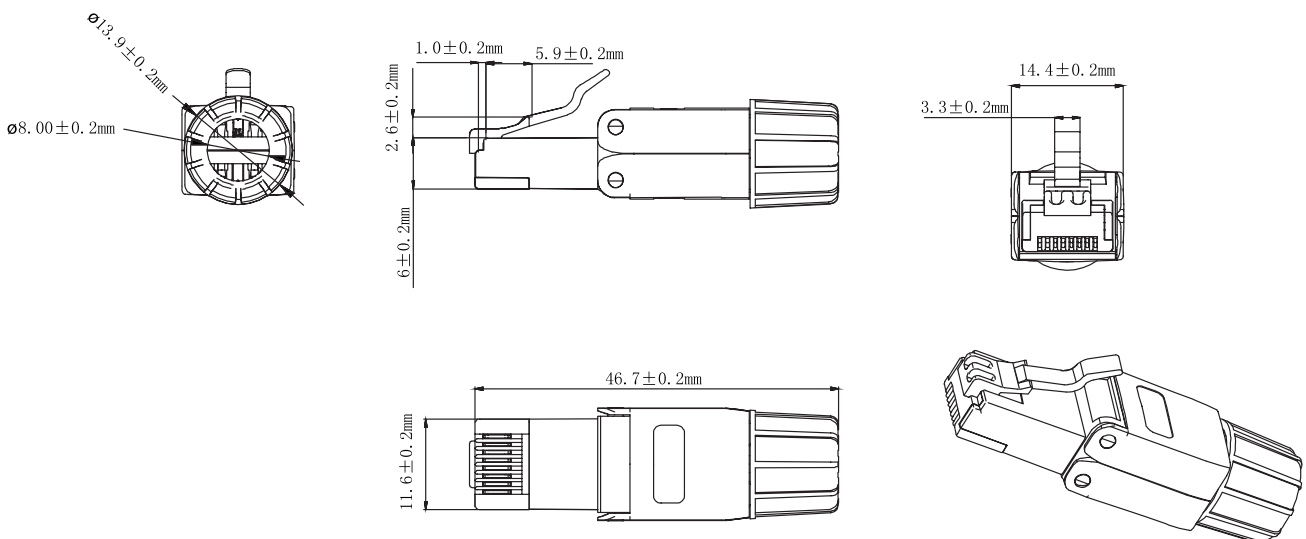
Cat.8.1 Class I ISO/IEC TR11801-9901-2014

Screwable fully shielded zinc diecast housing

For solid and stranded wire 22AWG to 24AWG

Suitable for cable jackets 5.0 to 8.5 mm OD

### Technical Drawings



Unit: mm

MP0080



4 052792 048063

Made in China

[www.logilink.com](http://www.logilink.com)



RoHS  
compliant

\* The specifications and pictures are subject to change without notice.  
\*All trade names referenced are the registered trademark of their respective owners.

## Package Contents

Cat 8.1 Field Assembly RJ45 Plug x 1

## Packaging Information

Packing Dimension	70 x 100mm
Packing Weight	0.0159kg
Carton Dimension	470 x 360 x 180mm
Carton Q'ty	500pcs
Carton Weight	10kg

MP0080



4 052792 048063

Made in China

[www.logilink.com](http://www.logilink.com)



**RoHS**  
compliant

\* The specifications and pictures are subject to change without notice.  
\*All trade names referenced are the registered namework of their respective owners.

## X-ON Electronics

Largest Supplier of Electrical and Electronic Components

*Click to view similar products for [Modular Connectors](#) / [Ethernet Connectors](#) category:*

*Click to view products by [Logilink](#) manufacturer:*

Other Similar products are found below :

[RJE231881317T](#) [MP1010RX-1000](#) [MP44RX-1000](#) [GAX-3-66](#) [GAX-8-62](#) [93606-0253](#) [GD-A-44](#) [GDCX-PA-66-50](#) [GDCX-PN-64](#) [GDCX-PN-66](#) [GDCX-PN-66-50](#) [GDLX-A-66](#) [GDLX-A-88](#) [GDLX-N-66](#) [GDLX-S-88K](#) [GDTX-S-88-50](#) [GDX-PA-1010](#) [GLX-N-1010M-BLK](#) [GLX-N-44M](#) [GLX-S-88M-BLK](#) [GMX-N-1010](#) [GMX-S-1010](#) [GMX-S-66](#) [GMX-SMT2-N-1010](#) [GMX-SMT2-N-64-50](#) [GMX-SMT2-S6-88](#) [GMX-SMT4-N-88](#) [GPX-2-64](#) [GRT1-BT1-5](#) [GSGX-N-2-88](#) [GSX-NS2-88-3.05](#) [GSX-NS2-88-3.05-50](#) [GSX-NS-88-3.05-30](#) [GSX-NS-88-3.05-50](#) [GSX-NS-88-3.68](#) [1-1775629-2](#) [GWLX-S-88-GR](#) [GWLX-S9-88-YG](#) [1300500326](#) [1300500227](#) [1300530003](#) [1300570002](#) [1324640-4](#) [RJ11FTVC2G](#) [RJ11FTVC2N](#) [RJFTVX2SA1G](#) [132764-001](#) [1400000](#) [1413176](#) [1413235](#)