

Cat.5e Keystone Jack

Part no.: NK4006A

Technical Features

Modular Keystone Jack

Cat.5e Class D 100 MHz

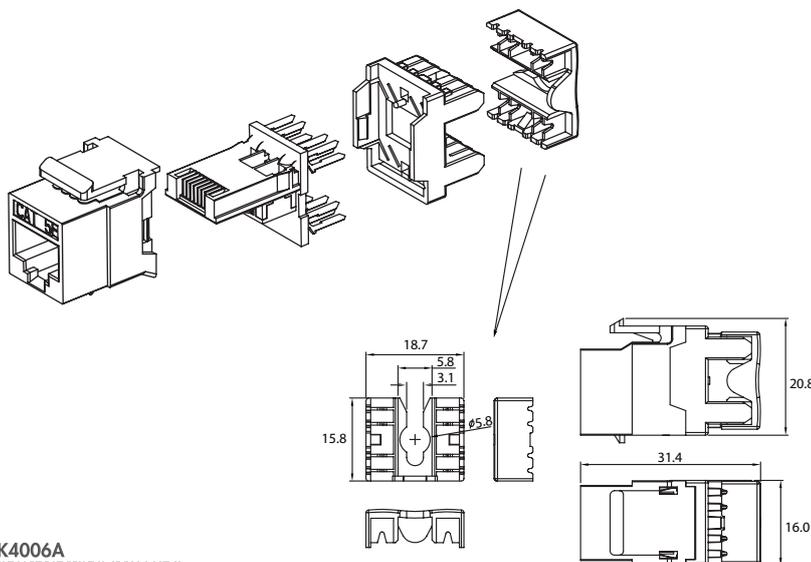
UTP (unshielded version)

180° punch down

AWG 24 – 26, T568A/B

Color: white

Technical Drawings



Electrical Specifications

Insulation Resistance: 500M ohms (min.)
Contact Resistance: 20M ohms (max.)
Current Rating: 1.5Amps.
DC Resistance: 0.1 ohms (max.)
Withstanding Voltage: 1000VAC RMS@60Hz/1 min

Mechanical Specifications

IDC Punch Down Cycle: Over 25 Cycles(min.)
RJ-45 Jack Insertion Cycle: Over 200 Cycles(min.)

Environmental

Storage: -40° to +85°
Operation: 0° to +70°

NK4006A



4 052792 031874

Made in China

www.logilink.de



RoHS
compliant



* The specifications and pictures are subject to change without notice.
* All trade names referenced are the registered trademark of their respective owners.



Cat.5e Keystone Jack

Part no.: NK4006A

Package Contents

Cat.5e Keystone Jack x 1

Packaging Informations

Packing Dimension	100 x 70 x 20mm
Packing Weight	0,01kg
Carton Dimension	530 x 320 x 300mm
Carton Q'ty	1000pcs
Carton Weight	9kg

NK4006A



Made in China

www.logilink.de



RoHS
compliant



* The specifications and pictures are subject to change without notice.
*All trade names referenced are the registered namework of their respective owners.

X-ON Electronics

Largest Supplier of Electrical and Electronic Components

Click to view similar products for [Modular Connectors / Ethernet Connectors](#) category:

Click to view products by [Logilink](#) manufacturer:

Other Similar products are found below :

[RJE231881317T](#) [MP1010RX-1000](#) [MP44RX-1000](#) [GAX-3-66](#) [GAX-8-62](#) [93606-0253](#) [GD-A-44](#) [GDCX-PA-66-50](#) [GDCX-PN-64](#) [GDCX-PN-66](#) [GDCX-PN-66-50](#) [GDLX-A-66](#) [GDLX-A-88](#) [GDLX-N-66](#) [GDLX-S-88K](#) [GDTX-S-88-50](#) [GDX-PA-1010](#) [GLX-N-1010M-BLK](#) [GLX-N-44M](#) [GLX-S-88M-BLK](#) [GMX-N-1010](#) [GMX-S-1010](#) [GMX-S-66](#) [GMX-SMT2-N-1010](#) [GMX-SMT2-N-64-50](#) [GMX-SMT2-S6-88](#) [GMX-SMT4-N-88](#) [GPX-2-64](#) [GRT1-BT1-5](#) [GSGX-N-2-88](#) [GSX-NS2-88-3.05](#) [GSX-NS2-88-3.05-50](#) [GSX-NS-88-3.05-30](#) [GSX-NS-88-3.05-50](#) [GSX-NS-88-3.68](#) [1-1775629-2](#) [GWLX-S-88-GR](#) [GWLX-S9-88-YG](#) [1300500326](#) [1300500227](#) [1300530003](#) [1300570002](#) [1324640-4](#) [RJ11FTVC2G](#) [RJ11FTVC2N](#) [RJFTVX2SA1G](#) [132764-001](#) [1400000](#) [1413176](#) [1413235](#)