



Modular Face Plate/Wall Outlet For Fiber Optic with LC-Duplex Connector

Art no.: NK4024

Technical Features

Modular design, keystone modules can be changed

80 x 80mm outer frame, compatible with most German wall switch series

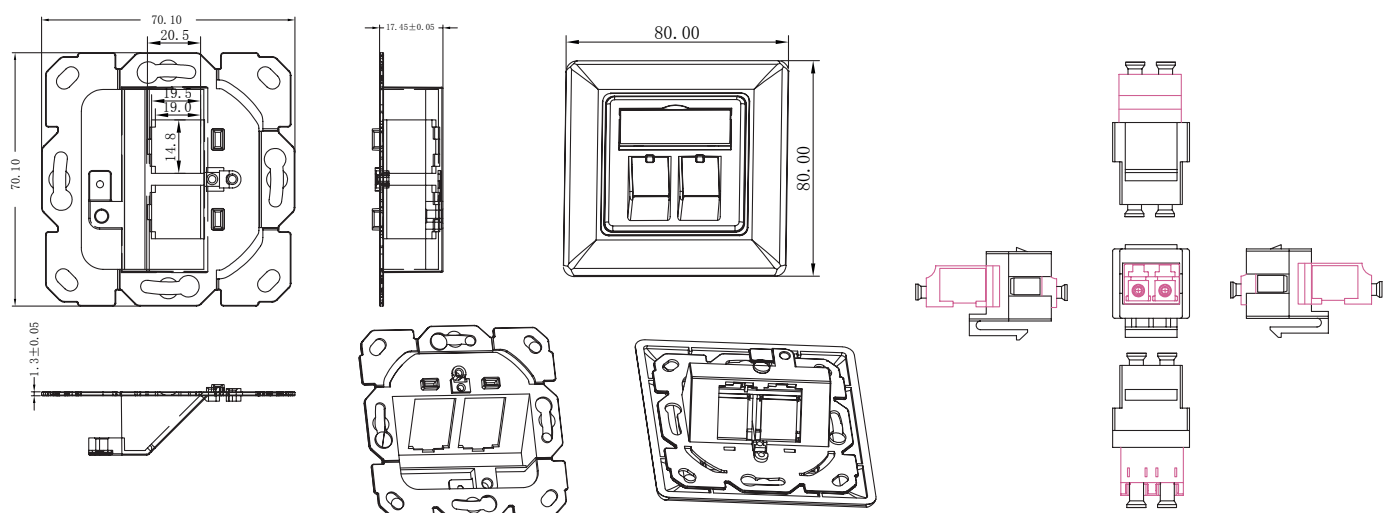
Complete set incl. frame, central insert and keystone jack (RJ45 or LWL-LC)

2 x 45° Duplex ports

2 x LC-Duplex adapter, erika-violet color

Color: RAL9010 White

Technical Drawings



NK4024



4 052792 053197

Made in China

www.logilink.com



RoHS
compliant

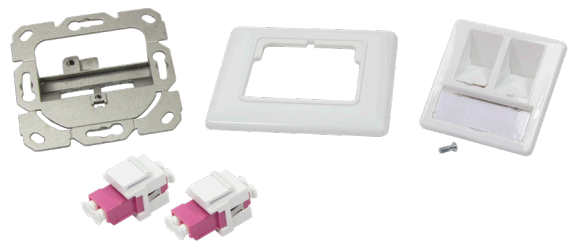
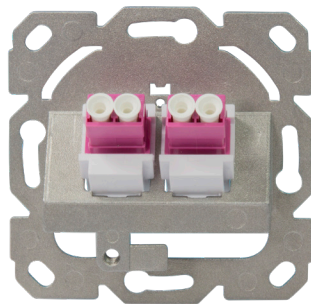
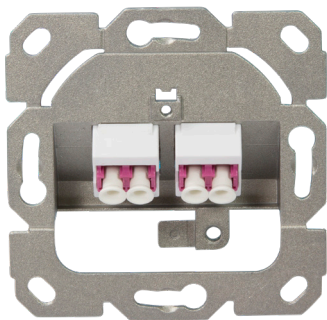
* The specifications and pictures are subject to change without notice.
*All trade names referenced are the registered trademark of their respective owners.

Package Content

Modular Face Plate/Wall Outlet x 1

Packaging Information

Packing Dimension	85 x 85 x 65mm
Packing Weight	0.625kg
Carton Dimension	36 x 36 x 28.5mm
Carton Q'ty	64pcs
Carton Weight	5.71kg



NK4024



4 052792 053197

Made in China

www.logilink.com



RoHS
compliant

* The specifications and pictures are subject to change without notice.
*All trade names referenced are the registered namework of their respective owners.

X-ON Electronics

Largest Supplier of Electrical and Electronic Components

Click to view similar products for [Fibre Optic Connectors](#) category:

Click to view products by [Logilink](#) manufacturer:

Other Similar products are found below :

[F718092216](#) [AX104024](#) [AX100068](#) [AX103256](#) [501048-1](#) [E39R37](#) [181-048-16](#) [60926](#) [98039-003LF](#) [A0407006](#) [60923](#) [60921](#) [906-122-5047](#) [2102321-1](#) [F81ELBNNNSNM003](#) [F81ELBNNNSNM005](#) [F81ELBNNNSNM010](#) [FAP6WWDLCZ](#) [FHMPW-6-ABL](#) [FHMPW-6-BCG](#) [FQMAP65W](#) [FHC39N-08-10A](#) [FHC3XO-08-10A](#) [FHC3XO-08-10B](#) [FHC3ZO-08-10A](#) [FHC3ZO-08-10B](#) [FHC3ZA-08-10A](#) [FHC3ZA-08-10B](#) [FC2WA-12-10AS](#) [FHCXO-20F-10A](#) [FHCXO-24F-10A](#) [FC39N-16-10A](#) [FLCS2/9SOCA9AG](#) [FLCS2/9SOCPXAQ](#) [FLCS2/9SOCU9BU](#) [FSCS2/9SOCA9AG](#) [FSCS2/9SOCPXAQ](#) [FSCS2/9SOCU9BU](#) [FC29N-12-10U](#) [LXCRN1C1CL1N](#) [9446W14S-6S](#) [9442W14S-5S](#) [F780904000](#) [944-1023](#) [1534631-1](#) [181-035-1000](#) [20100014231](#) [F718111220](#) [F718190204](#) [17-300940](#)