

## CAT.5e Keystone Coupler, STP

Art no.: NK4029

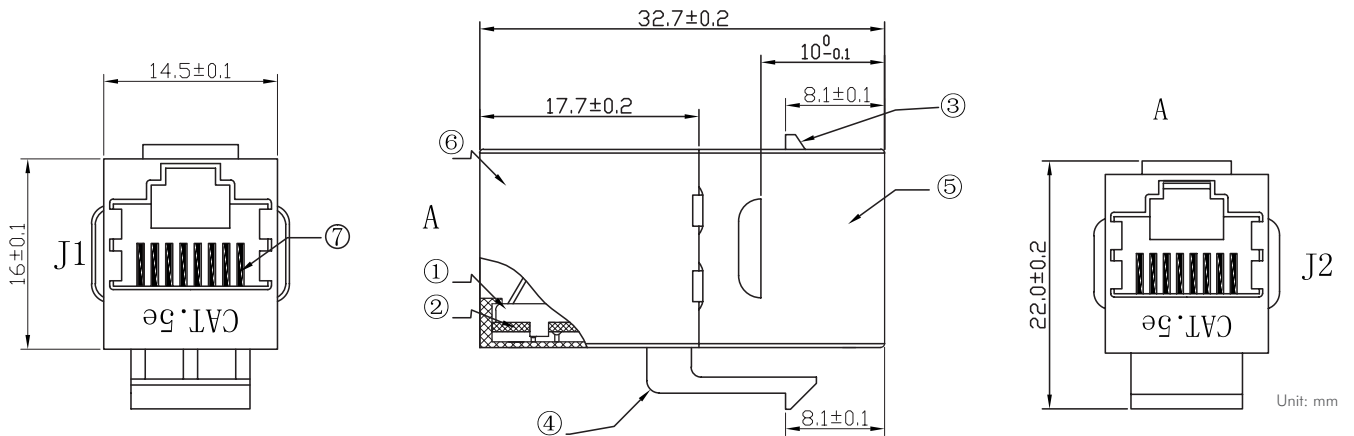
### Technical Features

CAT.5e 100 MHz

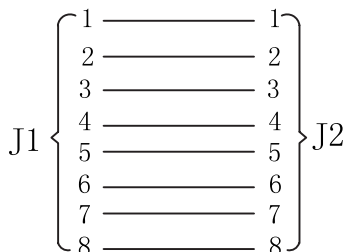
2x RJ45 jack, fully shielded

Metal housing

### Technical Drawings



#### Connection Method



- ① Lock Pin: PBT black
- ② PCB: FR-4, t=0.8
- ③ Shell I: ABS black
- ④ Shell II: ABS black
- ⑤ Shielded Enclosure I: Nickel Plated brass, t=0.2 mm
- ⑥ Shielded Enclosure II: Nickel Plated brass, t=0.2 mm
- ⑦ RJ45: Housing-Fireproof PBT Pin-8P8C gold plated



Made in China

www.logilink.com



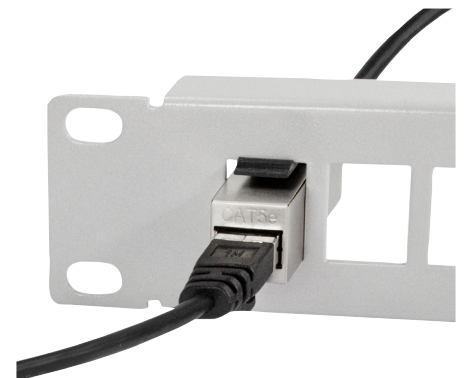
\*The specifications and pictures are subject to change without prior notice.  
\*All trade names referenced are the registered trademarks of their respective owners.

## Package Contents

1x CAT.5e Keystone Coupler, STP

## Packaging Informations

Packing Dimension	85x118 mm
Packing Weight	0.0095 kg
Carton Dimension	350x300x380 mm
Carton Q'ty	500 pcs
Carton Weight	5.8 kg



NK4029



4 052792 061802

Made in China

[www.logilink.com](http://www.logilink.com)



\*The specifications and pictures are subject to change without prior notice.  
\*All trade names referenced are the registered trademarks of their respective owners.

## X-ON Electronics

Largest Supplier of Electrical and Electronic Components

*Click to view similar products for [Modular Connectors / Ethernet Connectors](#) category:*

*Click to view products by [Logilink](#) manufacturer:*

Other Similar products are found below :

[8949-H88/06BLKA/SN](#) [74441-0010/BKN](#) [PHJ-4P4C-1-V-4](#) [PHP-6P6C-5](#) [GAX-3-66](#) [GAX-8-62](#) [GDCX-PN-66](#) [GDX-PA-1010](#) [GLX-A-44](#)  
[GLX-N-1010M-BLK](#) [GLX-S-88M-BLK](#) [GMX-SMT4-N-88](#) [GPX-2-64](#) [GSGX-N-2-88](#) [GSGX-N-4-88](#) [GSX-NS2-88-3.05](#) [GSX-NS-88-3.68](#)  
[PT-108A-8C-UL](#) [PT-J951-8C](#) [PTS-J531-8CS-50UL](#) [1-1775629-2](#) [A-2014-0-4](#) [GWLX-S-88-GR](#) [DC-1021-8-WH-6](#) [1300530003](#) [1324640-4](#)  
[RJ11FTVC2G](#) [RJ11FTVC2N](#) [RJFTVX2SA1G](#) [132764-001](#) [1413235](#) [MPS88RX-5000](#) [E5288-S000K3-L](#) [E5908-15A242-L](#) [155302-001](#)  
[AX100653](#) [AX101050](#) [AX101063](#) [AX101065](#) [AX101072](#) [AX101307](#) [AX101314](#) [AX101315](#) [AX101318](#) [AX102271](#) [AX102288](#) [AX102651](#)  
[AX102660](#) [AX103258](#) [HXJ5EOR](#)