



Cat.6 Wall Outlet with Surface Box

Technical Features

2 shielded RJ45 jacks

Horizontal cable entry

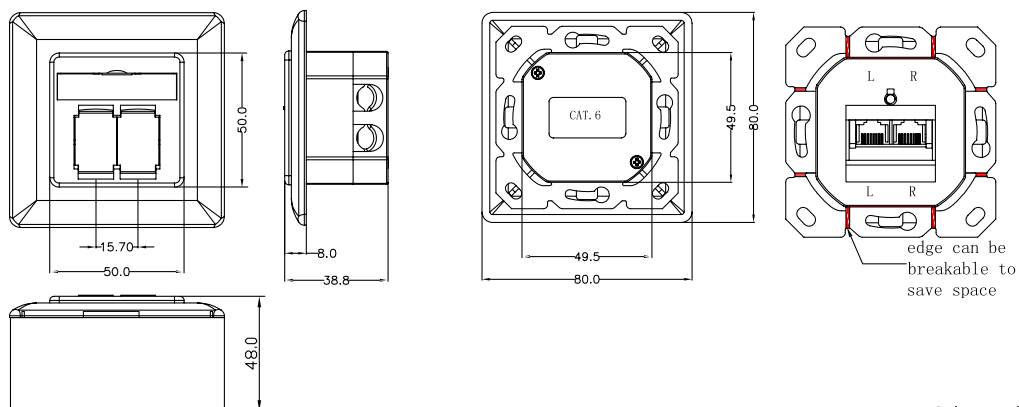
Fully shielded housing

Flush-mounted type with surface back box

Size: 80x80x40 mm

Art no.	Color	EAN Code
NP0006A	RAL9010 Pure White	4052792064575
NP0039A	RAL9003 Signal White	4052792032093

Technical Drawings



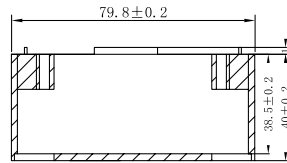
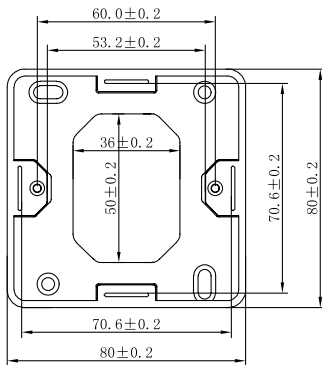
www.2direct.de



RoHS
compliant

Made in China

*The specifications and pictures are subject to change without prior notice.
*All trade names referenced are the registered trademarks of their respective owners.



Electrical:

1. Voltage Rating: 125V AC RMS
 2. Current Rating: 1.5A mp
 3. Contact Resistance: 100 milli ohms max.
 4. Insulation Resistance: 1000m ohms min. @500V DC
 5. Dielectric Strength: 750V AC RMS 60Hz, 1min.
- Cat.6 Permanent Link: Conform to ANSI/TIA/EIA-568 C.2
IEC 11801 PL Class E

Mechanical:

1. Cover & Shutter: Flame Retardant ABS
2. Jack Housing: PBT + 15% GF UL94V0
3. Contact Material: Phosphor Bronze T=0.35mm 8P8C 3u" Golded Plate
4. IDC Contact: Phosphor Bronze T=0.50mm with Nickel Plating
5. Mounting Bracket: Zinc Alloy#3
6. Top Cover: Zinc Alloy#3
7. Rj45 Jack Life: 750 times min.
8. IDN Life: 200 times min.
9. Wire: AWG 22–24 cable conductor OD: 0.65mm–0.5mm
10. IDC Body: Krone type fireproof PC/ABS with colour coded printing T568A/B
11. Retentiveness of Insertion Structure: 50N 60±5s
12. PoE per IEEE802.3af, PoE+ per IEEE 802.3at, PoE++ per IEEE 802.3bt

Package Contents

1x Cat.6 Wall Outlet with Surface Box

Packaging Informations

Packing Dimension	85x85x55 mm
Packing Weight	0.260 kg
Carton Dimension	360x360x260 mm
Carton Q'ty	64 pcs
Carton Weight	15.4 kg



www.2direct.de



RoHS
compliant

X-ON Electronics

Largest Supplier of Electrical and Electronic Components

Click to view similar products for [Modular Connectors / Ethernet Connectors](#) category:

Click to view products by [Logilink](#) manufacturer:

Other Similar products are found below :

[8949-H88/06BLKA/SN](#) [74441-0010/BKN](#) [MP1010RX-1000](#) [MP44RX-1000](#) [PHJ-4P4C-1-V-4](#) [PHP-6P6C-5](#) [GAX-3-66](#) [GAX-8-62](#) [GDCX-PA-66-50](#) [GDCX-PN-64](#) [GDCX-PN-66](#) [GDCX-PN-66-50](#) [GDLX-A-66](#) [GDLX-N-66](#) [GDLX-S-66](#) [GDLX-S-88K](#) [GDLX-SMT-S-88](#) [GDTX-S-88-50](#) [GDX-PA-1010](#) [GLX-A-44](#) [GLX-N-1010M-BLK](#) [GLX-S-88M-BLK](#) [GMX-N-1010](#) [GMX-S-1010](#) [GMX-S-66](#) [GMX-SMT4-N-88](#) [GPX-2-64](#) [GSGX-N-2-88](#) [GSGX-N-4-88](#) [GSX-NS2-88-3.05](#) [GSX-NS2-88-3.05-50](#) [GSX-NS-88-3.05-50](#) [PT-108A-8C-UL](#) [PT-J951-8C](#) [PTS-J531-8CS-50UL](#) [1-1775629-2](#) [A-2014-0-4](#) [GWLX-S-88-GR](#) [GWLX-S9-88-YG](#) [DC-1021-8-WH-6](#) [1300530003](#) [1324640-4](#) [RJ11FTVC2G](#) [RJ11FTVC2N](#) [RJFTVX2SA1G](#) [132764-001](#) [1413235](#) [MP88X-1000](#) [MPS88RX-5000](#) [E5288-S000K3-L](#)