



Cat.6A Break-Away Device Protection Adapter Cable, 25 cm

Part no.: NP0079

Technical Features

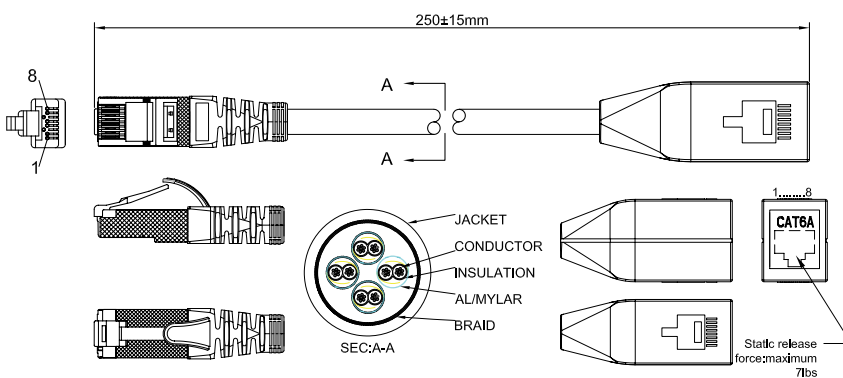
Allows any standard patch cord to breakaway upon a sudden pulling force to prevent damages to the devices

Defined Disconnect Link to protect your IT equipment

RJ45 Male to RJ45 Female, shielded

Color: Grey

Technical Drawings



P1	P2 T568B
1	1 WHITE/ORANGE
2	2 ORANGE
3	3 WHITE/GREEN
4	4 BLUE
5	5 WHITE/BLUE
6	6 GREEN
7	7 WHITE/BROWN
8	8 BROWN
S	S SHIELDED

Conductor Type (Qty.2):

Connector 1:
Type: shielded 8P8C(RJ45)
Gender: male
Connector Material: PC
Contact Material: copper alloy, gold plating, 50 μ m

Connector 2:
Type: shielded 8P8C(RJ45)
Gender: female
Connector Material: Zinc Alloy
Contact Material: copper alloy, gold plating, 50 μ m

Overview:

Bandwidth: 500 MHz
OD: 6 mm
Conductor: 26 AWG
Connector: RJ45 Cat.6A male to female

Overall Cable:

Jacket: LSZH
Minimum Average Thickness: 0.6 mm
Outer Diameter: 6 \pm 0.2 mm

Physical Characteristics:

Cable Type: Cat.6A S/FTP
Connector Type: RJ45
Wiring Scheme: T568B
Temperature Rating: -20°C–75°C
Voltage Rating: 30 V

Electrical Characteristics:

Conductor DC Resistance: 15.2 Ω /100m max.
Impedance: 100 Ω
Capacitance: 5600pf/100m
Propagation Delay: 545ns/100m max.
Delay Skew: 45ns/100m max.
Test Limit: DSX 8000 TIA Cat.6A Channel Link

Conductor (Qty.4 twisted pair):

Conductor Type: 26 AWG (7 / 0.16 mm), stranded BC
Insulation: FoPE
Diameter: 1.04 \pm 0.05 mm
Pair Identification:
Pair 1=orange, orange-white
Pair 2=blue, blue-white
Pair 3=green, green-white
Pair 4=brown, brown-white

Package Contents

1x Cat.6A Break-Away Device Protection Adapter Cable

Packaging Informations

Packing Dimension	mm
Packing Weight	kg
Carton Dimension	mm
Carton Q'ty	pcs
Carton Weight	kg



NP0079



4 052792 063028

Made in China

www.2direct.de



RoHS
compliant

*The specifications and pictures are subject to change without prior notice.
*All trade names referenced are the registered trademarks of their respective owners.

X-ON Electronics

Largest Supplier of Electrical and Electronic Components

Click to view similar products for [Ethernet Cables / Networking Cables](#) category:

Click to view products by [Logilink](#) manufacturer:

Other Similar products are found below :

[73-6670-7](#) [73-6680-15](#) [73-7797-25](#) [MCJB2-10P6Q7-120](#) [84909-0204](#) [1200700174](#) [1200860368](#) [1410147](#) [E16A06002M030](#) [E200102-009-S1](#) [AX105346-EW](#) [MT14-187L](#) [17-103530](#) [ERWPAB3002M005](#) [190-038045-01](#) [NK5EPC18RDY](#) [NK5EPC18VLY](#) [NK5EPC18YLY](#) [NK5EPC1GRY](#) [NK5EPC4Y](#) [NK5EPC6YLY](#) [NK5EPC8BLY](#) [NK5EPC9YLY](#) [1969343-6](#) [C501100010](#) [C501106002](#) [C501106007](#) [C501106015](#) [C501106025](#) [C601102010](#) [C601104010](#) [C601106007](#) [C601106015](#) [2142758-2](#) [2168427-2](#) [CAT1106007](#) [21949-1](#) [2J1866A](#) [RJF SFTP 5E 0500](#) [AX100351](#) [MN14CEC/ST](#) [C501100015](#) [C501106004](#) [C501106010](#) [C5F1108007](#) [C601104004](#) [C601106004](#) [CA21106004](#) [CA21106010](#) [CA21109007](#)