

## Cat.6A Class EA Wall Outlet, Shielded, Vertical Cable Entry

### Technical Features

Complies with ISO/IEC 11801 & TIA/EIA-568-C

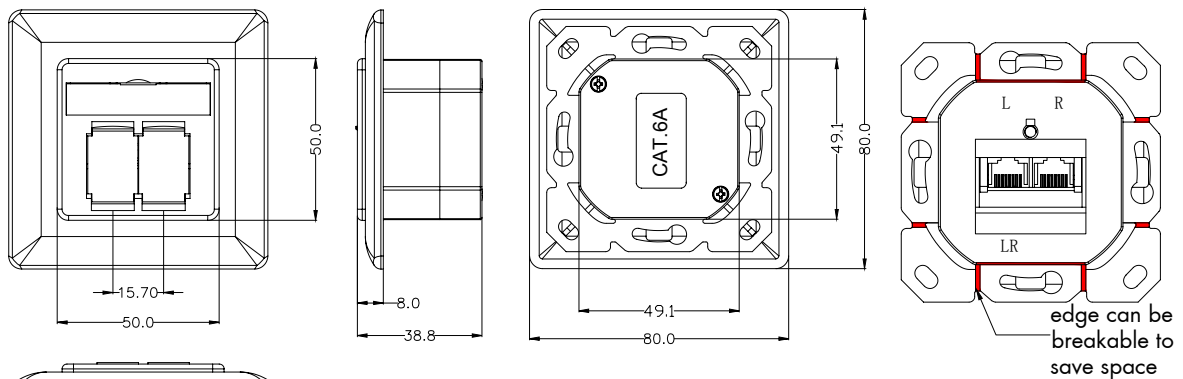
2 x shielded R45 jack, 40° angled

Vertical cable entry with strain relief

Flush-mount or cable duct installation

Supports PoE, PoE+ and PoE++

### Technical Drawing



Units: mm

#### Electrical:

1. Voltage Rating: 125 V AC RMS
2. Current Rating: 1.5 A mp
3. Contact Resistance: 100 Milli OHMS Max
4. Insulation Resistance: 1000 M OHMS Min@500 V DC
5. Dielectric Strength: 750 V AC RMS 60Hz, 1min
6. Cat.6A Permanent Link: Conform to ANSI/TIA/EIA-568 C.2

#### Environmental:

1. Storage: -40°–85°
2. Operation: 0° –70°

#### Environmental:

1. Cover & Shutter: ABS
2. Jack Housing: PBT
3. PCB FR-4 Thickness: 1.6 mm
4. Contact Material: Phosphor Bronze T=0.35 mm 8P8C Gold Plated
5. IDC Contact: Phosphor Bronze T=0.50 mm with Nickel Plating
6. Mounting Bracket: ZINC Alloy#3
7. Top Cover: ZINC Alloy#3
8. RJ45 Jack Life: 750 times min.
9. IDN Life: 200 times min.
10. Wire: AWG 22–24 cable, 0.65mm–0.5mm
11. IDC Body: Krone Type PC/ABS with colour coded printing T568A/B



Art no.	Color	Suitable Surface Back Box	EAN Code
NP0127	Signal White RAL 9003	NP0223	4052792028607
NP0128	Pure White RAL 9010	NP0221	4052792028591

## Package Content

1x Cat.6A Wall Outlet

## Packaging Information

Packing Dimension	85x85x60 mm
Packing Weight	0.18 kg
Carton Dimension	360x360x260 mm
Carton Q'ty	64 pcs
Carton Weight	11.2 kg



## X-ON Electronics

Largest Supplier of Electrical and Electronic Components

*Click to view similar products for [Modular Connectors / Ethernet Connectors](#) category:*

*Click to view products by [Logilink](#) manufacturer:*

Other Similar products are found below :

[8949-H88/06BLKA/SN](#) [74441-0010/BKN](#) [MP1010RX-1000](#) [MP44RX-1000](#) [PHJ-4P4C-1-V-4](#) [PHP-6P6C-5](#) [GAX-3-66](#) [GAX-8-62](#) [GDCX-PA-66-50](#) [GDCX-PN-64](#) [GDCX-PN-66](#) [GDCX-PN-66-50](#) [GDLX-A-66](#) [GDLX-N-66](#) [GDLX-S-66](#) [GDLX-S-88K](#) [GDLX-SMT-S-88](#) [GDTX-S-88-50](#) [GDX-PA-1010](#) [GLX-A-44](#) [GLX-N-1010M-BLK](#) [GLX-S-88M-BLK](#) [GMX-N-1010](#) [GMX-S-1010](#) [GMX-S-66](#) [GMX-SMT4-N-88](#) [GPX-2-64](#) [GSGX-N-2-88](#) [GSGX-N-4-88](#) [GSX-NS2-88-3.05](#) [GSX-NS2-88-3.05-50](#) [GSX-NS-88-3.05-50](#) [PT-108A-8C-UL](#) [PT-J951-8C](#) [PTS-J531-8CS-50UL](#) [1-1775629-2](#) [A-2014-0-4](#) [GWLX-S-88-GR](#) [GWLX-S9-88-YG](#) [DC-1021-8-WH-6](#) [1300530003](#) [1324640-4](#) [RJ11FTVC2G](#) [RJ11FTVC2N](#) [RJFTVX2SA1G](#) [132764-001](#) [1413235](#) [MP88X-1000](#) [MPS88RX-5000](#) [E5288-S000K3-L](#)