



Universal Coaxial Cable Stripper with Lock For Standard Coax Cable

Art no.: WZ0045

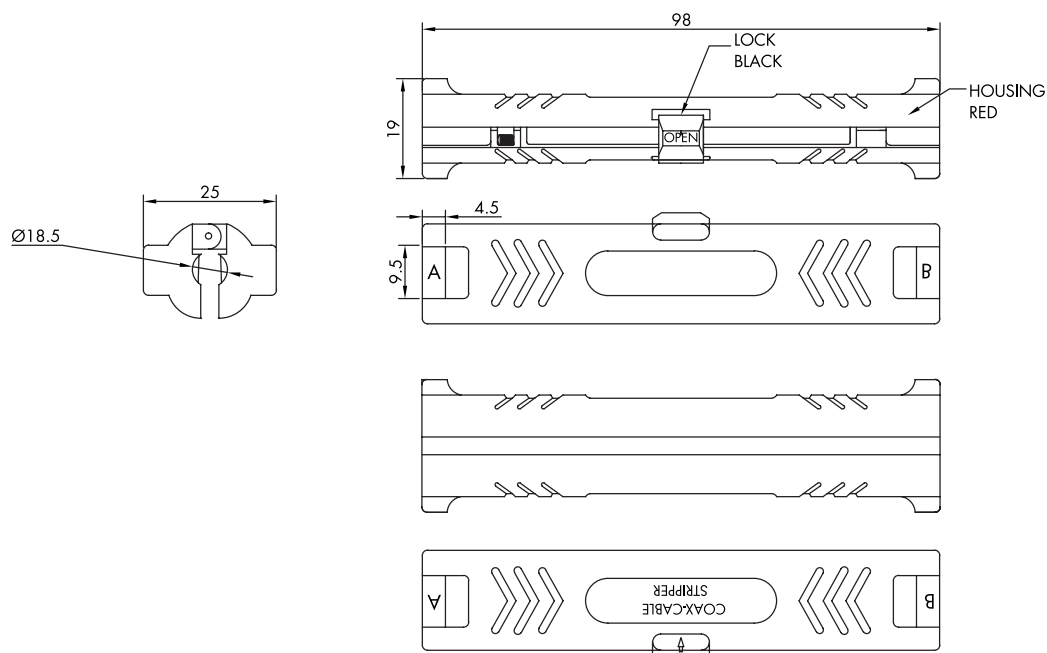
Technical Features

For stripping all coax cables between $\varnothing 4.8\text{--}7.6$ mm (e.g. for TV and satellite antenna)

Material: ABS

Color: black lock and red housing

Technical Drawings



WZ0045



Made in China

www.logilink.com



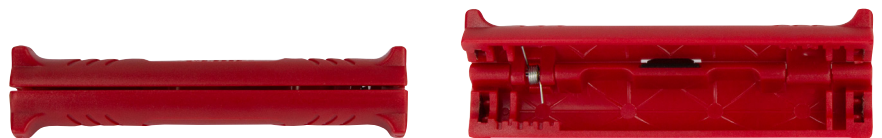
*The specifications and pictures are subject to change without prior notice.
*All trade names referenced are the registered trademarks of their respective owners.

Package Content

1x Universal Coaxial Cable Stripper with Lock

Packaging Information

| | |
|-------------------|-----|
| Packing Dimension | mm |
| Packing Weight | kg |
| Carton Dimension | mm |
| Carton Q'ty | pcs |
| Carton Weight | kg |



WZ0045



4 052792 061932

Made in China

www.logilink.de



*The specifications and pictures are subject to change without prior notice.
*All trade names referenced are the registered trademarks of their respective owners.

X-ON Electronics

Largest Supplier of Electrical and Electronic Components

Click to view similar products for [Wire Stripping & Cutting Tools](#) category:

Click to view products by [Logilink](#) manufacturer:

Other Similar products are found below :

[6-690504-4](#) [693855-1](#) [813066-2](#) [844764-5](#) [844765-5](#) [1-240642-7](#) [133900-001](#) [1-356885-4](#) [1424635-1](#) [1424649-1](#) [1424650-1](#) [1440-0013-84](#)
[1-458031-5](#) [1-458030-5](#) [MT10-250Q](#) [1755](#) [2-539783-7](#) [L-5211](#) [1633578-3](#) [F10-10Q](#) [1-844765-9](#) [251465-1](#) [R282066100](#) [313808-1](#)
[CST596711](#) [458031-9](#) [462839-1](#) [467281-1](#) [4-690504-2](#) [406339-3](#) [L-4994](#) [45-265](#) [453653-1](#) [45-418](#) [455177-1](#) [455671-4](#) [458144-8](#) [462007-](#)
[1](#) [462548-1](#) [464661-1](#) [224186-1](#) [679746-1](#) [809687-1](#) [852080-2](#) [856695-8](#) [11-40-4082](#) [458030-1](#) [679326-7](#) [605744-1](#) [690784-2](#)