

GT202 IOE Module Datasheet

V 1.5

Apr 2015

P/N	Chip
GT202-IC2006	QCA4002X-AL3B
GT202-II2006	QCA4002X-AL3B
GT202-GC3007	QCA4002X-BL3B
GT202-GI3007	QCA4002X-BL3B
GT202-GI3013	QCA4002X-BL3B
GT202-GC3013	QCA4002X-BL3B

GT202 Datasheet V1.5

Revision	Date	Description
V1.0	2013/11/20	Initial release
V1.1	2013/12/28	Updated power parameters at 3.2 of page 9
V1.2	2014/03/28	Delete transmitter current at 1.1 of page 6 and 3.2 of page 9 Modify temperature range at 1.2 of page 5 Modify GPIO function at 5.3 of page 14 Modify logo from NETCOM to LONGSYS Modify Order information
V1.3	2014/06/05	Modify GPIO function at 5.3 of page 14 Add ordering code at 13 of page 33
V1.3b	2014/07/23	Modify temperature curve graph at 12.4 of page 30
V1.3c	2014/08/01	Modify company name from netcom to longsys Modify picture at 1.1 of page 5 Modify hardware size at 1.2 of page 5 Delete U.FL RF connector at 1.2 of page 5 Delete 11.1 GT202 Outline drawing at 11.1 Modify GT202 Mechanical view at 11.3 Delete 11.4 GT202 PCB Footprint Add front view at 11.1 of page 28
V1.3d	2014/08/26	Add tolerance at 1.2 of page 5
V1.4	2014/10/24	Delete all Atheros identifier Delete 4.1 UART Serial link mode of page 12 Modify 13. Ordering code of page 33 Update GT202 Mechanical view of page 29
V1.5	2015/04/27	Add Firmware version at 13. Ordering code of page 34

Index

1. Introduction	5
1.1 General Description	5
1.2 Hardware Description	5
1.3 Wireless Specification	5
1.4 Performance Specification	6
1.5 Protocols	6
1.6 Typical application	6
1.7 Warranty	6
1.8 Certifications	6
2. System Block Diagram	7
3. Features	8
3.1 IPv4/IPv6 Networking	8
3.2 Power Management	9
3.3 Application Program Interface	10
3.4 WiFi Link Feature	10
4. Mode of operations	11
4.1 SPI slave link mode	11
5. Reference design platform	12
6. GT202 Pin-out	13
6.1 Pin-out Top view	13
6.2 GT202 Pin Assignment and Descriptions	14
6.3 GT202 Pin Functions	15
7. GT202 Interface description	16
7.1 Bootstrap signals	16
7.2 SPI slave signals	17
7.3 Quad SPI master signals	17
7.4 SDIO signals	18
7.5 I ² S signals	18
7.6 I ² C signals	19
7.7 UART Signals	19

GT202 Datasheet V1.5

7.8 JTAG Signals	19
7.9 GPIO Signals	20
8. Electrical Specifications	21
8.1 Absolute Maximum Ratings	21
8.2 Recommended Operating Conditions	22
8.3 General DC electrical specifications	23
9. RF Parameters.....	24
9.1 Transmitter Characteristics for 2.4GHz Operation.....	24
9.2 Receiver Characteristics for 2.4GHz Operation	24
10. Timing Specification	25
10.1 External 26 / 40 MHz Reference Input Clock Timing.....	25
10.2 SPI Slave Interface Timing	26
10.3 SPI Master Interface Timing.....	27
11. Mechanical Dimensions	28
11.1 GT202 Front view	28
11.2 GT202 Mechanical view	29
11.3 GT202 module pad specification.....	30
12. Manufacture information	31
12.1 Optical Inspection	31
12.2 Rework	31
12.3 Handling	31
12.4 Soldering Recommendations	32
13. Ordering Code.....	33

1. Introduction

1.1 General Description

The Longsys GT202 module with a built-in printed antenna is an intelligent platform for the Internet of Everything. This complete networking platform enables customers to add full-featured Wi-Fi to a wide variety of products with minimal development effort and cost. It supports a network stack along with SSL security, enabling full-featured internet connectivity and reliable information exchange in a small, low-cost system.

The GT202 provides two host interfaces for connecting to local system controllers. A UART-based host interface can be used for rapid development and deployment of simple data streams between the local device and the internet cloud. A SPI slave interface is available for applications that require more advanced connectivity to the network. The reference design platform will include an Arduino/Freedom interface board (GT-202-EVB) to connect existing micro controller reference platforms (eg Freescale KL26 based FRDM-KL26Z Freedom Development Platform) using a standardized connectors.



The GT202 module contains a Qualcomm QCA4002 chip. The QCA4002 is a single chip system on a chip (SoC) 1x1 802.11 b/g/n device optimized for low-power embedded applications with single-stream capability for both Tx and Rx. It has an integrated network processor with a large set of TCP/IP with IPv4/IPv6-based services. These services can be accessed via a serial SPI link or by a UART link connected to an external host CPU.

1.2 Hardware Description

- Size: 24 x 18 x 2.64 mm
- Tolerance: 0.3mm
- Operating voltage: 3.3 V \pm 10%
- Operating humidity: 20-70%
- Operating temperature range:
 - Industrial: -40°C ~ +85°C
 - Commercial: 0°C ~ +65°C
- Connector: SMD-Pad connector - 26 Pads
- Host interface: UART, SPI
 - SPI slave: Allows simplified connection to local host MCU. Host driver and programming API available from Qualcomm.
 - UART interface: Supports AT style command set.
- GPIO suit for 1.8V or 3.3V:optional

1.3 Wireless Specification

- Standard supported: IEEE802.11b/g/n
- Frequency: 2.412 to 2.484GHz
- Channels: up to 13 channels

1.4 Performance Specification

- Host data rates
 - UART: 115200, 8, n, 1, with actual data rate to 100k bps
 - SPI: up to 10 Mbps

1.5 Protocols

- Internet protocols: IPv4/IPv6, TCP/UDP, ARP/NDP, DHCPv4, ICMPv6
- Security protocols: WPS, WPA, WPA2, WAPI, WEP, TKIP

1.6 Typical application

- Household appliances

- Gaming consoles
- Handheld terminals
- Embedded wireless products
- Security monitoring Device
- Industrial control
- Home automation

1.7 Warranty

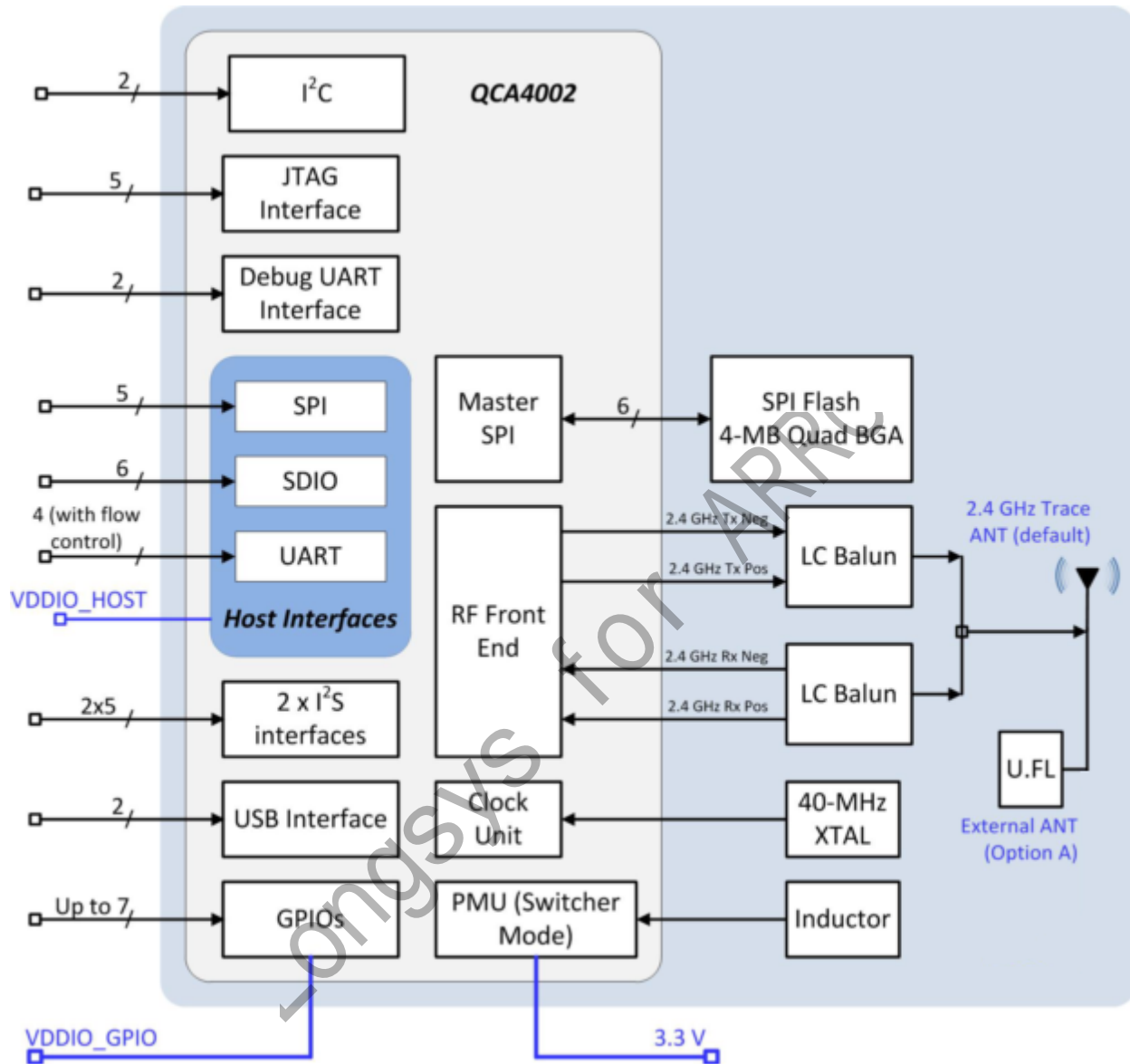
- One Year

1.8 Certifications

- CE
- FCC
- ROHS compliant

Longsys for APPL

2. System Block Diagram



3. Features

3.1 IPv4/IPv6 Networking

The QCA4002 includes a TCP/IP and UDP offload capability. This capability can reduce Flash requirements on a host MCU by up to 100 KBytes and also free up CPU cycles. The IP stack is a simultaneous IPv4/IPv6 stack with a BSD-like interface to simplify porting and integration with common embedded operating systems. The supported features of the QCA4002 (support for DHCP, multicast, and ARP) include:

- ARP
- Forwarding
- Fragmentation/reassembly (supported with limitation)
- IPv4/v6 header processing
- UDP/TCP socket support
- DHCP v4
- Neighbor discovery
- Broadcast/multicast
- Path MTU discovery
- Address auto-configuration
- Multicast
- TCPzero-copy feature

QCA4002 IPv4 Supported RFCs

IPv4 RFC Number
RFC 1122 (TCP Timeout/retransmission)
RFC1122:TCP Keep-alive
RFC1122:TCP Zero-Window-Probe
RFC1122:TCP Sliding window protocol

QCA4002 IPv4 Supported RFCs

IPv6 RFC Number
RFC-2464:Transmission of IPv6 packets over Ethernet networks
RFC-2460:Internet Protocol version 6
RFC2462, Duplicate Address Detection (DAD)
RFC-2463:ICMPv6
RFC3513:IP version 6 addressing architecture
RFC3484:Default Address Selection
RFC2461:Neighbour discovery for IPv6 host
RFC4862:Stateless Address Auto-configuration

3.2 Power Management

GT202 provides integrated power management and control functions and extremely low power operation for maximum battery life across all operational states.

- Power saving mode: 1.09 mA(DTIM=1)
- Standby mode(Sleep): 130uA

Sleep state minimizes power consumption while network services are not required, yet the system needs to remain available for use within a short time.

State		Typical Current Consumption for GT202 module
SUSPEND		6uA
SLEEP		130uA
802.11g (2.4GHz)	DTIM1	1,090uA
	DTIM3	473uA
	DTIM5	335uA
	DTIM10	258uA

3.3 Application Program Interface

APIs provided by Qualcomm enable flexible host application customization. The firmware is written, owned, controlled, and maintained by Qualcomm, whereas the reference host software is supplied for system integrator to create application-specific host software, or even to use without modification.

Note: If system integrator leverages the Qualcomm host software components, ultimately the system developer is responsible for the host software on their platforms, OSes, and interconnects.

3.4 WiFi Link Feature

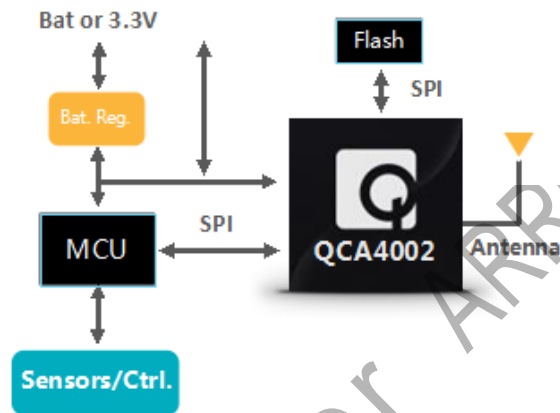
- IEEE 802.11b/g/n, single stream 1x1
- Single-band 2.4 GHz
- Integrated PA, LNA, with support for external PA and external LNA
- Single Rx front end for multiple applications
- Green Tx power saving mode
- Low power listen mode
- Two-layer PCB design
- Link rates up to 150 Mbps

4. Mode of operations

4.1 SPI slave link mode

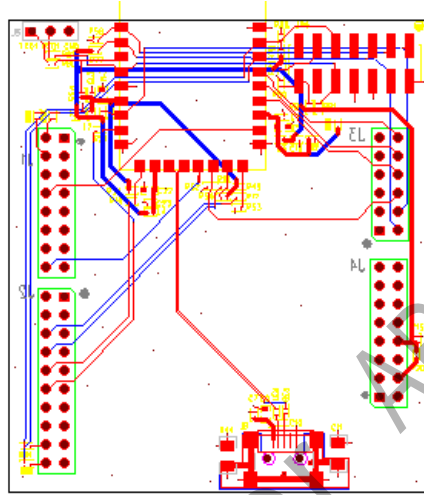
GT202 module can be configured to support SPI slave interface to a host CPU as well. In this mode, GT202 can provide full network functionalities.

MCU Attach Full network offload



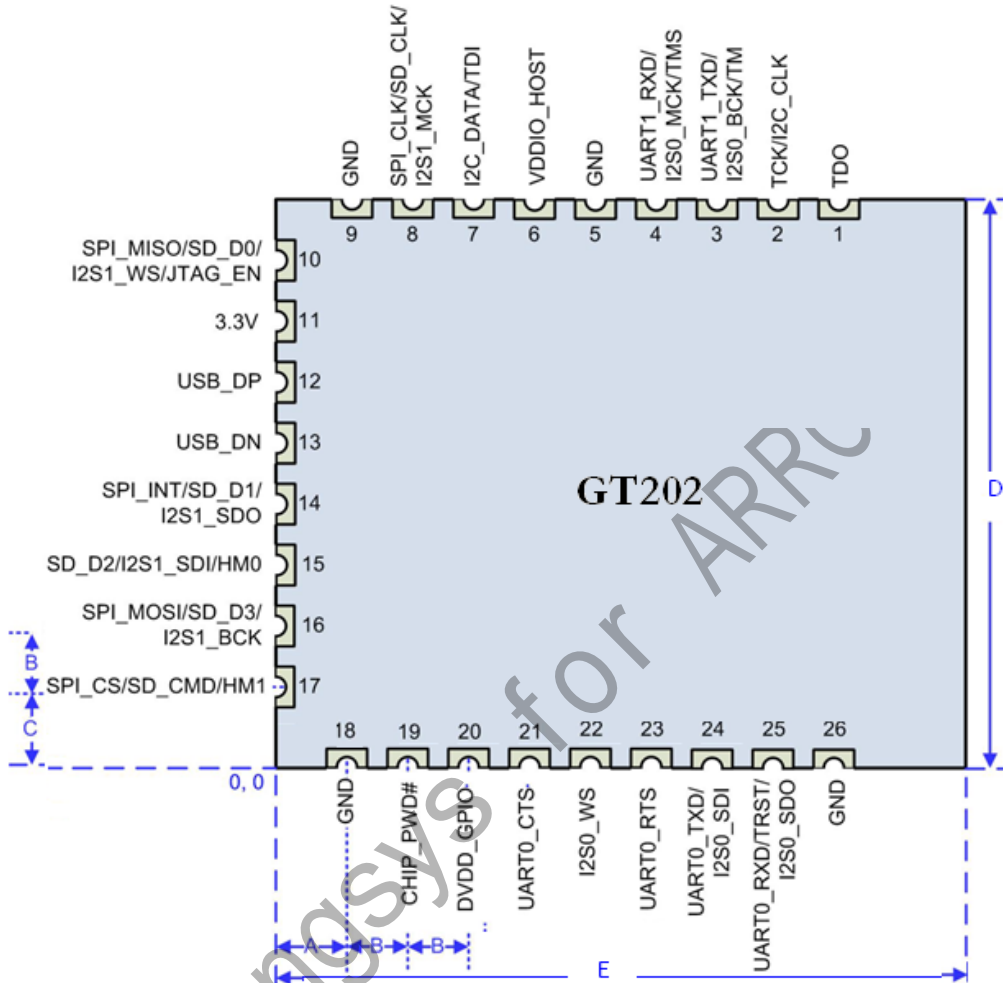
5. Reference design platform

The GT202 reference design platform will include an Arduino/Freedom interface board (GT-202-EVB) to connect existing micro controller reference platforms (eq Freescale KL26 based FRDM-KL26Z Freedom Development Platform) using a standardized connectors.



6. GT202 Pin-out

6.1 Pin-out Top view



Dimension Label	Dimension (mm)
A	2.5
B	2.0
C	2.0
D	18
E	24
Module Height	2.5

6.2 GT202 Pin Assignment and Descriptions

Signal Name	Pin	Description
USB_DP	12	USB device / manufacturing test and configuration interface
USB_DN	13	
CHIP_PWD#	19	Power down control signal; setting this pin low forces the module in to its lowest power state
TDO	1	GPIO with multiplexed functions.
TCK/I2C_CLK	2	
UART1_TXD/I2S0_BCK/TM	3	
UART1_RXD/I2S0_MCK/TMS	4	
I2C_DATA/TDI	7	
SPI_CLK/SD_CLK/I2S1_MCK	8	
SPI_MISO/SD_D0/I2S1_WS/JTAG_EN	10	
SPI_INT/SD_D1/I2S1_SDO	14	
SD_D2/I2S1_SDI/HM0	15	
SPI_MOSI/SD_D3/I2S1_BCK	16	
SPI_CS/SD_CMD/HM1	17	
UART0_CTS	21	
I2S0_WS	22	
UART0_RTS	23	
UART0_TXD/I2S0_SDI	24	
UART0_RXD/I2S0_SDO/TRST	25	
GND	5,9,18,26	
VDDIO_SDIO	6	3.3V supply for SDIO
3.3V	11	Analog 3.3Vsupply
DVDD_GPIO	20	VDDIO 3.3Vsupply for GPIOs

6.3 GT202 Pin Functions

	Bootstrap	Alt1	Alt2	Alt3	Alt4	Alt5
1	EN_LINEAR	GPIO13	GPIO13	GPIO13	GPIO13	TDO
2	-	I2C_CLK	I2C_CLK	I2C_CLK	I2C_CLK	TCK
3	TEST_MODE	UART1_TXD	UART1_TXD	I2S0_BCK	I2S0_BCK	GPIO11
4	-	UART1_RXD	UART1_RXD	I2S0_MCK	I2S0_MCK	TMS
7	-	I2_DATA	I2C_DATA	I2C_DATA	I2C_DATA	TDI
8	-	SPI_CLK	SD_CLK	SPI_CLK	I2S1_MCK	SPI_CLK
10	EJTAG_SEL	SPI_MISO	SD_D0	SPI_MISO	I2S1_WS	SPI_MISO
14	-	SPI_INT	SD_D1	SPI_INT	I2S1_SDO	SPI_INT
15	HMO	GPIO2	SD_D2	GPIO2	I2S1_SDI	GPIO2
16	-	SPI_MOSI	SD_D3	SPI_MOSI	I2S1_BCK	SPI_MOSI
17	HM1	SPI_CS	SD_CMD	SPI_CS	GPIO0	SPI_CS
21	-	UART0_CTS	UART0_CTS	GPIO23	GPIO23	GPIO23
22	-	GPIO21	GPIO21	I2S0_WS	I2S0_WS	GPIO21
23	-	UART0_RTS	UART0_RTS	GPIO22	GPIO22	GPIO22
24	-	UART0_TXD	UART0_TXD	I2S0_SDI	I2S0_SDI	UART0_TXD
25	-	UART0_RXD	UART0_RXD	I2S0_SDO	I2S0_SDO	TRST

7. GT202 Interface description

7.1 Bootstrap signals

Signal Name	Direction while CHIP_PWD# Is low	Description
ENLINEAR ²	I	Bootstrap for 1.2V regulator mode. This pin be pulled low to select the switching regulator mode used on the GT202 module. Note :The pull-up or pull-down resistor is populated on the module. The system level should take care not to conflict with pull selection on the module.
TESTMODE EJTAGSEL ³	I	Bootstrap for on board CPU debug(JTAG CPU debug mode).The system must pull both pins to 1 to invoke debug mode(EJTAG mode operation).The system must pull TESTMODE to 0 to boot up in non-CPU JTAG debug mode.
HM [1: 0] ³	I	Bootstrap for host interface selection. Note: The pull-up or pull-down resistor is populated on the module. The system level should take care not to conflict with pull selection on the module.
		Pull to 00 Enter USB/manufacturing test and configuration mode
		Pull to 01 Enter No External Host Required mode
		Pull to 10 Enter SPI Host mode
		Pull to 11 Enter SDIO Host mode

7.2 SPI slave signals

Signal Name	Direction	Description
SPI_CLK	I	Clock line from master, maximum rate 48 MHz
SPI_CS	I	Chip select, active low
SPI_INT	O	Active low interrupt to SPI master controller
SPI_MISO	O	Serial data to master
SPI_MOSI	I	Serial data from master

7.3 Quad SPI master signals

These signals enable the QCA4002 to boot from an external SPI flash device. The QCA4002 supports single/quad mode SPI flash read/write.

Signal Name	Direction	Description
SPIM_CLK	O	SPI serial interface clock
SPIM_CS	O	SPI chip select
SPIM_MISO	IO	Data transmission from the QCA4002 to an external device
SPIM_MOSI	IO	Data transmission from an external device to the QCA4002
SPIM_WP	IO	Write protection. Used as IO2 in Quad mode.

7.4 SDIO signals

Signal Name	Direction	Description
SD_CLK	I	SDYO I dock from host
SD_CMD	IO	SDIO command line
SD_DATA(0)	IO	SDIO data lines
SD_DATA(1)	IO	
SD_DATA(2)	IO	
SD_DATA(3)	IO	

7.5 I²S signals

Signal Name	Direction	Description	
I2S0BCK	I	Stereo clock	
I2S0MCK		Master clock	
I2S0SDI	I	Serial data I	
I2S0SDO	O	Serial data O	
I2S0WS	O	Word select for stereo	
		0	Left
		1	Right
I2S1_BCK	I	Stereo clock	
I2S1_MCK		Master clock	
I2S_SDI	I	Serial data I	
I2S1_SDO	O	Serial data O	
I2S1_WS	O	Word select for stereo	
		0	Left
		1	Right

7.6 I²C signals

Signal Name	Direction	Description
I2C-CLK	IO	I ² C clock
I2-DATA	IO	I ² C data

7.7 UART Signals

Signal Name	Direction	Description
UART0_CTS	I	UART clear to send signal
UART0_RTS	O	UART ready to send signal
UART0_RXD	I	UART receive data
UART0_TXD	O	UART transmit data
UART1_RXD	I	UART receive data
UART1_TXD	O	UART transmit data

7.8 JTAG Signals

Signal Name	Direction	Description
TCK	I	JTAG clock
TDI	I	JTAG data I
TDO	O	JTAG data O
TMS	I	JTAG mode select
TRST	I	Warm reset

7.9 GPIO Signals

Signal Name	Direction	Description
GPIO0	I/O	General purpose input/output. The QCA4002 supports SDIO,SPI,I ² C,I ² S,UART,and JTAG interfaces.It is possible to configure the QCA4002 to support these interfaces by tying certain inputs externally during boot up.
GPIO2	I/O	
GPIO11	I/O	
GPIO13	I/O	
GPIO21	I/O	
GPIO22	I/O	
GPIO23	I/O	

Longsys for ARRC

8. Electrical Specifications

8.1 Absolute Maximum Ratings

Table 8-1 summarizes the absolute maximum ratings and Table 8-2 lists the recommended operating conditions for the GT202. Absolute maximum ratings are those values beyond which damage to the device can occur.

Functional operation under these conditions, or at any other condition beyond those indicated in the operational sections of this document, is not recommended.

NOTE Maximum rating for signals follows the supply domain of the signals.

Table 8-1 absolute maximum ratings

symbol	Description	Max rating	unit
VDDIO_HOST	VDD supply for interface	-0.3 to 4.0	V
DVDD_GPIO	VDD supply for GPIOs	-0.3 to 4.0	V
VDD33	VDD supply for whole module	-0.3 to 4.0	V
VIH MIN	Minimum Digital I/O Input Voltage for 1.8 V or 3.3 V I/O Supply	-0.3	V
3.3 V I/O VIH MAX	Maximum Digital I/O Input Voltage for 3.3 V I/O Supply	Vdd +0.3	V
RFin	Maximum RF input (reference to 50-Ω input)	+10	dbm
Tstore	Storage Temperature	-45 to 135	°C
Tj	Junction Temperature	125	°C
ESD	Electrostatic Discharge Tolerance	HBM - 2000 CDM - 500	V

8.2 Recommended Operating Conditions

These conditions apply to all DC characteristics unless otherwise specified:

Tamb = 25 °C, Vdd33= 3.3 V

Table 8-2 Recommended Operating Conditions

Symbol	Parameter	Min	Typ	Max	unit
VDDIO_HOST	VDD supply for interface	3.0	-	3.46	V
DVDD_GPIO	VDD supply for GPIOs	1.71	-	3.46	V
VDD33	VDD supply for whole module	3.14	3.3	3.46	V
Tcase	Case temperature	0	-	85	°C
PsiJT	Thermal Parameter2	-	3	-	°C/W

8.3 General DC electrical specifications

These conditions apply to all DC characteristics unless otherwise specified:

$T_{amb} = 25^{\circ}\text{C}$, $V_{dd33} = 3.3\text{ V}$

Table 8-3 DC Electrical Characteristics for Digital I/Os

Symbol	Parameter	Conditions	Min	Typ	Max	Unit
V_{IH}	High level voltage		1.8		3.6	V
V_{IL}	Low level voltage		-0.3		0.3	V
V_{OH}	High level O voltage		2.2		3.3	V
V_{OL}	Low level O voltage		0		0.4	V
I_{IL}	Low level I current				0.1	μA
I_{OH}	High level O current for GPIO0 to GPIO13				8	mA
	High level O current for GPIO18 to GPIO25				20	
I_{IH}	High level I current				0.1	μA
I_{OL}	High level O current for GPIO0 to GPIO13				20	mA
	High level O current for GPIO18 to GPIO25				20	
C_{IN}	I capacitance for GPIO0 to GPIO13			5		pF
	I capacitance for GPIO18 to GPIO25			3		

9. RF Parameters

9.1 Transmitter Characteristics for 2.4GHz Operation

Table 9-1 summarizes the transmitter characteristics for the GT202.

Table 9-1 transmitter characteristics

Symbol	Rate/Mbps	IEEE Citation	Output power/dbm
802.11b	11	18.4.7.2	18±3
802.11g	6	17.3.9.1	18±3
	54	17.3.9.1	14±3
802.11n	6.5	20.3.21.3	18±3
	135	20.3.21.3	13±3

9.2 Receiver Characteristics for 2.4GHz Operation

Table 9-2 summarizes the receiver characteristics for the GT202. Notice that transmitter and especially receiver characteristics must be test under test guider.

Table 8-2 receiver characteristics

Symbol	Rate/Mbps	IEEE limited/dbm	Typical Sensitivity/dbm
802.11 b	11	-76	-82
802.11g	6	-82	-85
	54	-65	-68
802.11n	6.5	-82	-85
	135	-61	-64

10. Timing Specification

10.1 External 26 / 40 MHz Reference Input Clock Timing

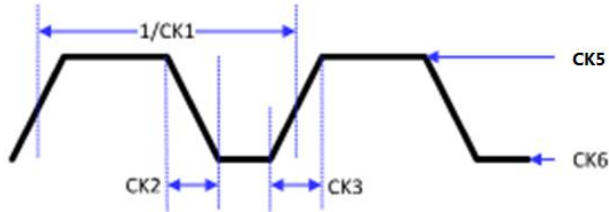


Figure 10-1 External 40 MHz Reference Input

Table 10-1 External 26/40 MHz Reference Input Clock Timing

Symbol	Description	Min	Typ	Max	Unit
CK1	Frequency accuracy	-20	-	20	ppm
	Frequency	-	40	-	MHz
CK2	Fall time			0.1 x period	ns
CK3	Rise time			0.1 x period	ns
CK4	Duty cycle(high-to-low ratio)	40		60	%
CK5	Input high voltage	0.75		1.26	V
CK6	Input low voltage	-0.55		0.3	V

10.2 SPI Slave Interface Timing

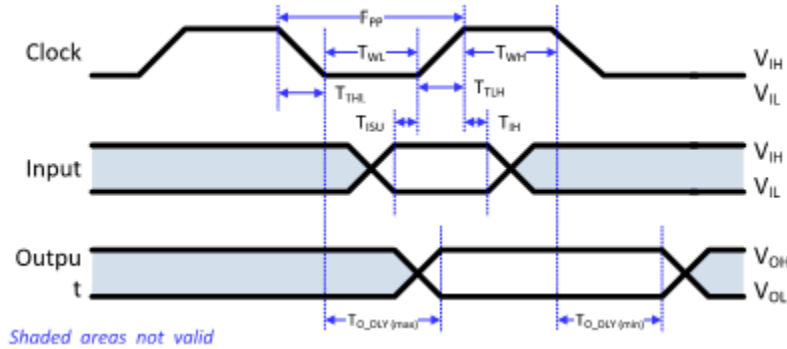


Figure 10-2 SPI Slave Timing

Table 10-2 SPI Slave Timing Constraints

Parameter	Description	Min	Max	Unit
f_{PP}	Clock frequency	0	48	MHz
t_{WL}	Clock low time	8.3	-	ns
t_{WH}	Clock high time	8.33	-	ns
t_{TLH}	Clock rise time	-	2	ns
t_{THL}	Clock fall time	-	2	ns
t_{ISU}	Input setup time	5	-	ns
t_{IH}	Input hold time	5	-	ns
t_{O_DLY}	Output delay	0	5	ns

10.3 SPI Master Interface Timing

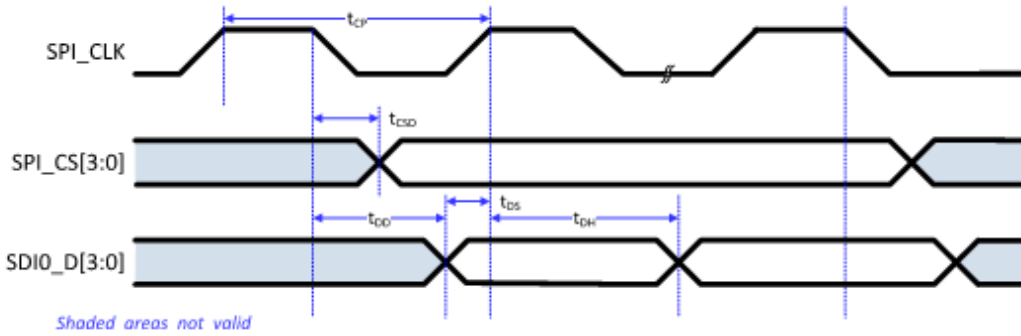


Figure 10-3 SPI Master Timing

Table 10-3 SPI Master Timing Constraints

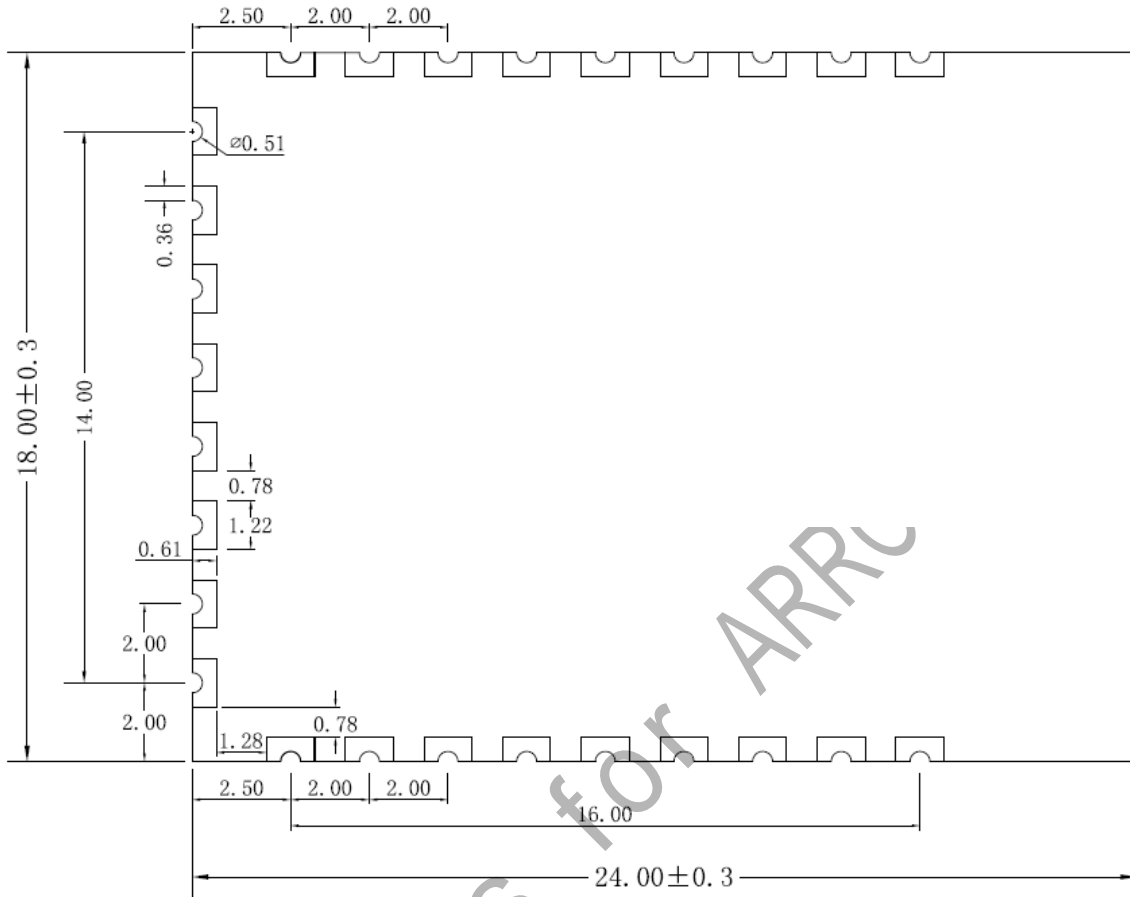
Parameter	Description	Min	Max	Unit
t_{CP}	Clock period	30.7	1000	ns
t_{CSD}	Chip select valid delay	-5.5	5	ns
t_{DD}	Date valid delay	-5.5	5	ns
t_{DS}	Data setup	3	-	ns
t_{DH}	Data hold	0	-	ns

11. Mechanical Dimensions

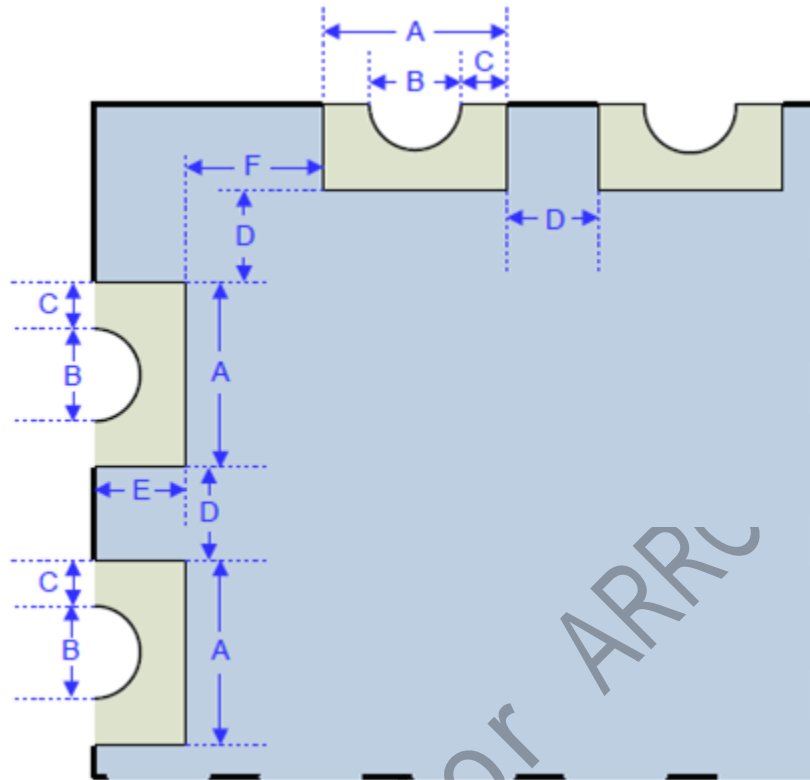
11.1 GT202 Front view



11.2 GT202 Mechanical view



11.3 GT202 module pad specification



PAD Locations

Parameter	Description	Value(mm)
A	Pin Exterior	1.22
B	Pin Interior Diameter	0.51
C	Pin Interior Offset	0.36
D	Pin Spacing	0.78
E	Pin Exterior	0.61
F	Pin Comer Spacing	1.5

12. Manufacture information

12.1 Optical Inspection

After SMT, GT202 PCBA will be automatically sent to do AOI(Automatic Optic Inspection). Longsys uses TR7500 to check every PCBA.

TR7500features:

- 3CCD camera with 5 detectors
- All pictures have the sense of 3D
- Resolution: 10 μ m

TR7500 can detect blemishes during SMT to guarantee quality at the first step before IOE and fully functional test.

12.2 Rework

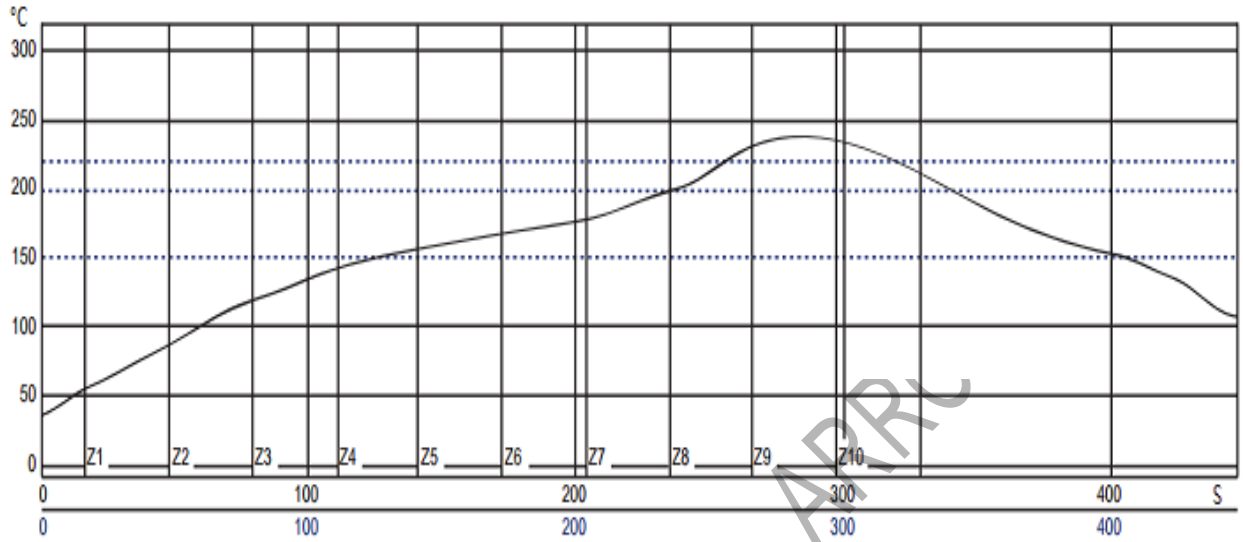
The module can be unsoldered from the host board if the Moisture Sensitivity Level (MSL) requirements are met as described in this datasheet. Never attempt a rework on the module itself, e.g. replacing individual components. Such actions will terminate warranty coverage.

12.3 Handling

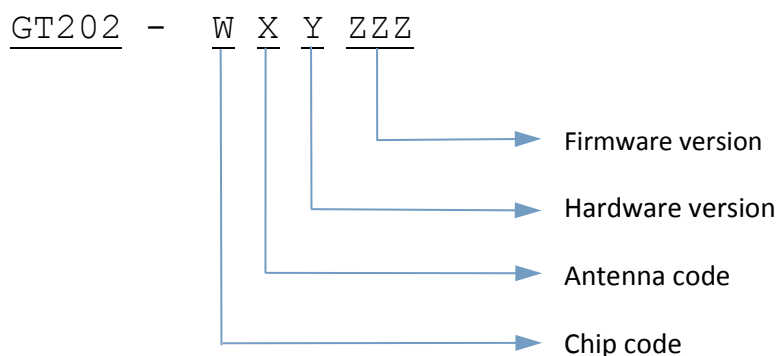
TheGT202modules contain a highly sensitive electronic circuitry. Handling without proper ESD protection may destroy or damage the module permanently.

12.4 Soldering Recommendations

The GT202 modules can be SMT on the board following the temperature curve graph :



13. Ordering Code



Chip code

Code	Description
I	QCA4002X-AL3B, I-Temp
C	QCA4002X-AL3A, C-Temp
G	QCA4002X-BL3B, I-Temp
L	QCA4002X-BL3A, C-Temp

Antenna code

Code	Description
P	Ceramic Chip antenna
I	IPex Socket, External antenna
C	Internal PCB antenna, without IPex Socket

GT202 Datasheet V1.5

Hardware version

Code	Description
0	V1.02
1	V1.03
2	V1.04
3	V1.05
4	V1.06
5	V1.07

Firmware version

Code	Description	Country code
006	R3.0.2	Country code default as USA's and Canada's. Cannot be modified.
007	R3.3.0	Country code default as USA's and Canada's. Cannot be modified.
013	R3.3.4	Default Country Code as USA's and Canada's (with available API for Country Code Change for other region support) Max 3 times for modification.

X-ON Electronics

Largest Supplier of Electrical and Electronic Components

Click to view similar products for [WiFi / 802.11 Modules](#) category:

Click to view products by [Longsys](#) manufacturer:

Other Similar products are found below :

[DVK-WB50NBT](#) [KBPC10/15/2506WP](#) [SX-PCEAN2I-SP](#) [GT202-GC3013](#) [WIFI-RT5392-SB-R10](#) [849WM520100E](#) [WIFI-AT2350](#)
[ATWILC1000-MR1100B](#) [NVLJF3117PT1G](#) [HDG204-DN-3](#) [QCA4004X-BL3B](#) [32-2006-BU](#) [LBEE5ZZ1CK-982](#) [WLNN-AN-DP551](#)
[WLNN-ER-DP551](#) [RN-171-I/RM](#) [ATWILC1000-MR110UB](#) [ATWILC3000-MR110CA](#) [BP3595](#) [BP3599](#) [GT202-IC2006](#) [RS9113-N00-D0F](#)
[QCA4002X-AL3A](#) [QCA4004X-AL3A](#) [QCA4004X-AL3B](#) [RS9113-N0Z-S1W](#) [SD-528](#) [ABDN-ER-DP553](#) [ST60-2230C](#) [ENW-49A01C3EF](#)
[ATSAMW25H18-MR210PB](#) [2649](#) [814](#) [EWM-W135H01E](#) [EWM-W155H01E](#) [AMW006/R](#) [ATSAMW25H18-MR210PA](#) [ATSAMW25H18-](#)
[MR510PB](#) [ATWINC1510-MR210PB1140](#) [ABDN-ER-DP551](#) [ABDN-ER-IN5010](#) [ABDN-ER-IN5018](#) [ABDN-SE-IN5410](#) [ABDN-SE-IN5420](#)
[APMN-Q551](#) [APXN-Q5428](#) [WLNN-SE-DP551](#) [20-101-1319](#) [20-101-1320](#) [20-101-1321](#)