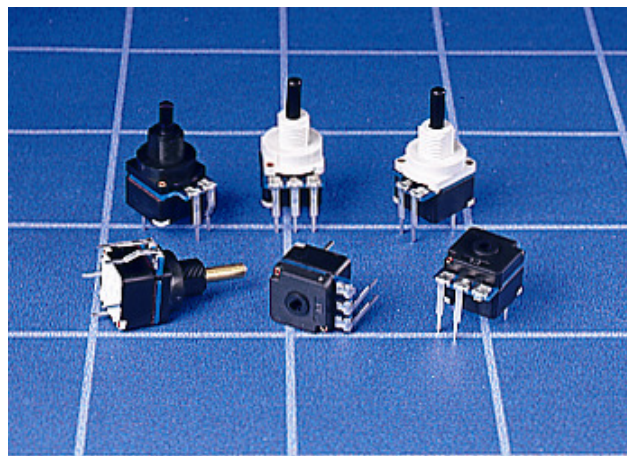


# MDSP PUSH-PUSH POTENTIOMETER SWITCH

## GENERAL ELECTRICAL & MECHANICAL SPECIFICATION

Switch Rating:	10A @ 250Vac (resistive)
Life:	>25,000 Cycles
Operating Temperature:	-25 ° C to +100 ° C
Proof Voltage:	2,500Vac (Initial)
Insulation Resistance:	>999 MΩ @ 500Vdc (Initial)
Resistance Values:	10K – 1.5MΩ
Track Rating:	0.2W
Resistance Curve:	Linear
Switch Function:	1- pole changeover
Switch Travel:	3mm
Switch Operation Force:	15N (Nominal)
Rotational angle:	270°
Operating Torque:	0.2-0.6Ncm (Standard) 0.8-1.5Ncm (Tactile version)
End Stop Torque:	40Ncm (minimum)
Fixing Nut Torque:	1.1Nm (maximum)
Perm. Axial Load:	50N (maximum)
Spindle:	Polyamide 6.6 G.F. HB Rated
Housing:	Polyamide 6.6 G.F. V0 Rated
Terminals:	Switch: Brass CZ108 Sn Plated. Potentiometer : Mild Steel Sn plated

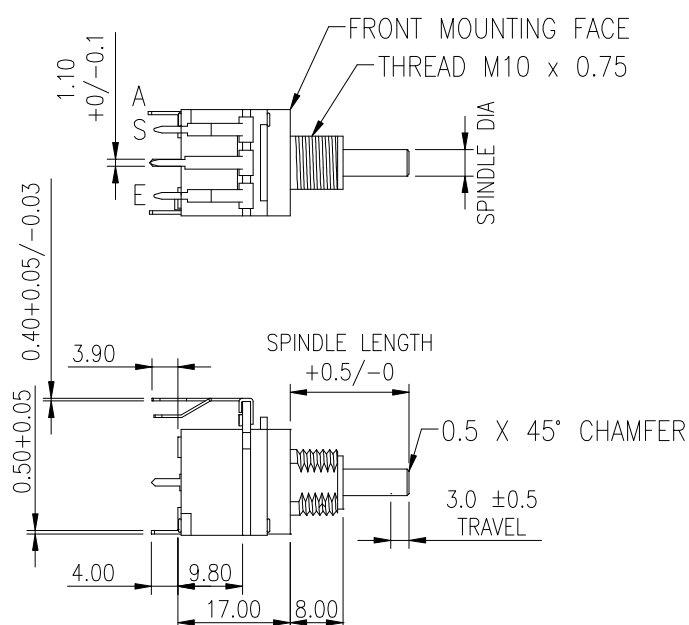
## RoHS COMPLIANT



ENEC Approved to EN61058 by VDE

## GENERAL FEATURES

- Made in UK.
- Push-Push switches with rotary potentiometer in common housing.
- Printed circuit terminals.
- Used in domestic lighting dimmer controls.
- Moulded components are in UL 94V-0 rated materials.
- Wide range of resistance values available.
- **Options also available include:-**
  - Ø4.0 Metal spindle
  - Tactile Feel version (7.5° Index)
  - Alternate Switch forces available
  - AS & ES Termination available
  - Non-Linear
  - M10 x 1.0mm Bush Thread

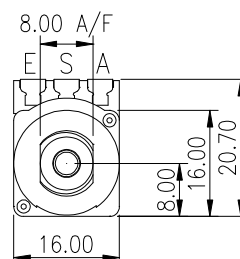


### SPINDLE SIZES AVAILABLE

- 1 = Ø4.0 +0/-0.03
- 2 = Ø6.0 +0.00/-0.03

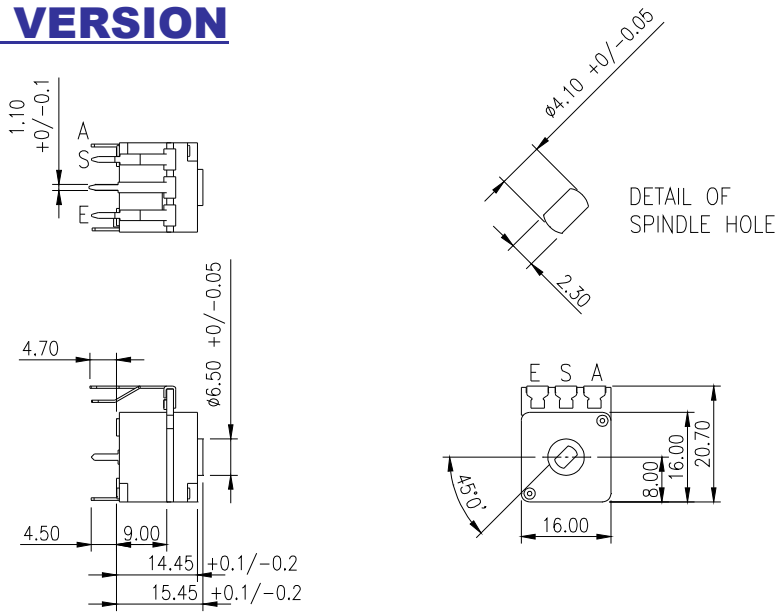
### CLOCKWISE ROTATION

- 0 – max Ohms = AS
- Max – 0 Ohms = ES

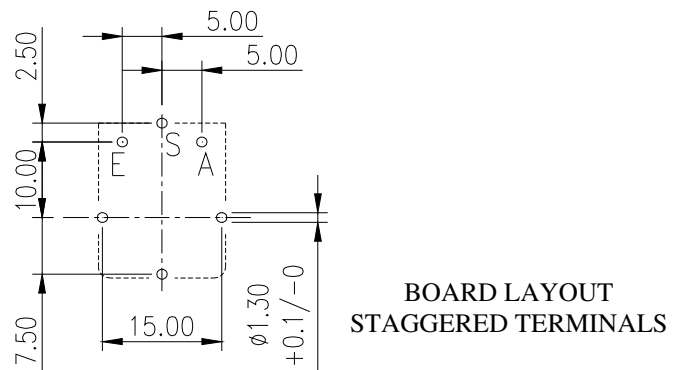
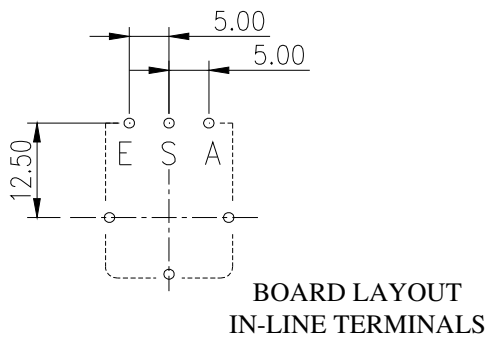


# MDSP PUSH BUTTON DIMMER SWITCHES

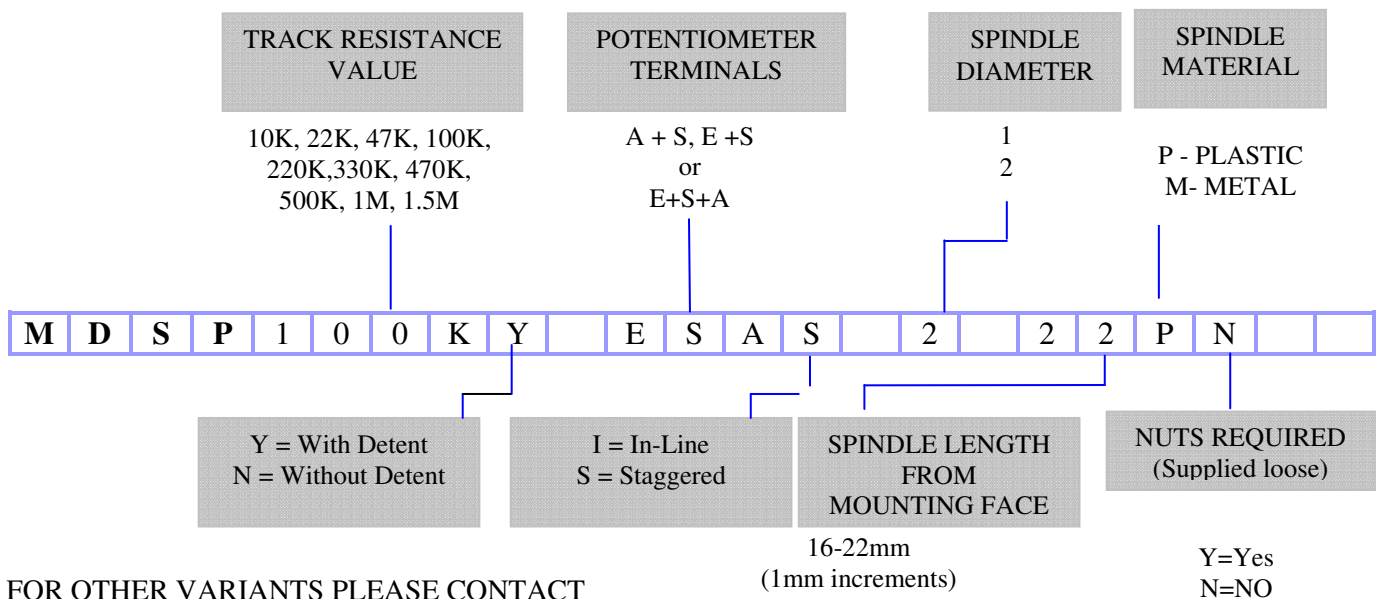
## NO BUSH VERSION



## TYPICAL PCB LAYOUT



## ORDERING CODE



FOR OTHER VARIANTS PLEASE CONTACT OUR SALES OFFICE.

## X-ON Electronics

Largest Supplier of Electrical and Electronic Components

*Click to view similar products for [Potentiometers](#) category:*

*Click to view products by [Lorlin](#) manufacturer:*

Other Similar products are found below :

[58C2-2](#) [590SX1N32F103SS](#) [591SXJ48S252SC](#) [591SXP56S252SC](#) [591SXP56S503SC](#) [D31409](#) [70B1G048K502X-A](#) [70B1M032S502W](#)  
[70B1N056S202W](#) [70B8N056F502W](#) [70J8N048S104U](#) [70L1N040P103W](#) [70L1N048P103X](#) [70L1N048S103W](#) [GA2L040S102UC](#)  
[GA2L040S103UC](#) [GS1G044P103UA](#) [GS1N048P103UA](#) [GS1T032S103UA](#) [A43-1500](#) [A43-20K](#) [A47-200K](#) [A4720K](#) [RA20LASD251A](#)  
[132-2-0-202](#) [RK14K1220-F25-C0-A103](#) [RK14K1220F25C0C104](#) [RK14K1220-F25-C1-B103](#) [14910FAGJSX10102KA](#)  
[14910FBGLFY00103KA](#) [14910AABHSX10103KA](#) [14910FAGJSX10104KA](#) [152-01031](#) [C0342008 5K](#) [P270-109A](#) [J97589](#) [23M728](#)  
[RV170F-10-15R1-B500K-0021](#) [RV8NAYSB104A](#) [917523A](#) [A43-40](#) [A43-750](#) [A43S-5](#) [A47-15K](#) [A4750K](#) [SPPG048S103U](#)  
[SPPG056P103U](#) [SWE-10](#) [GA2G040F103BA](#) [GS1G052F103UA-A](#)