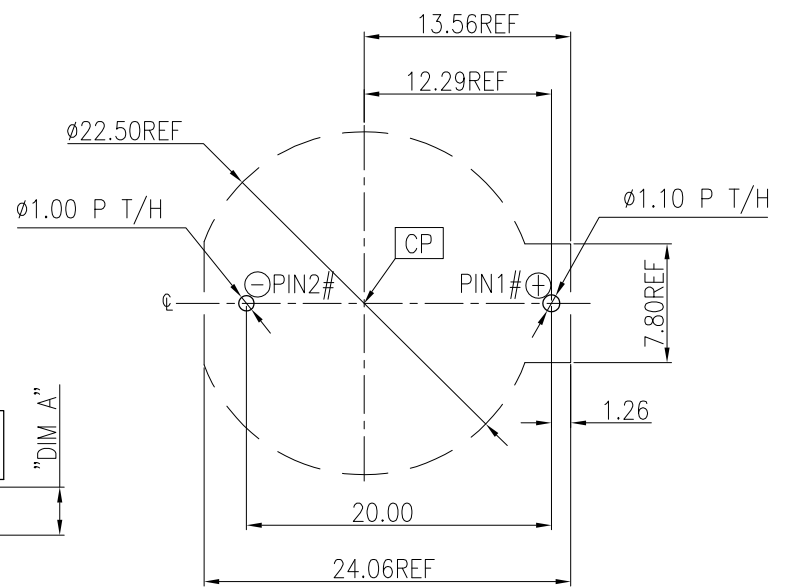
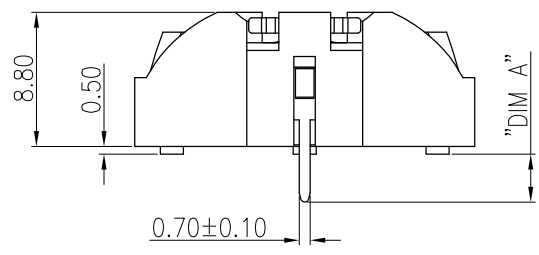
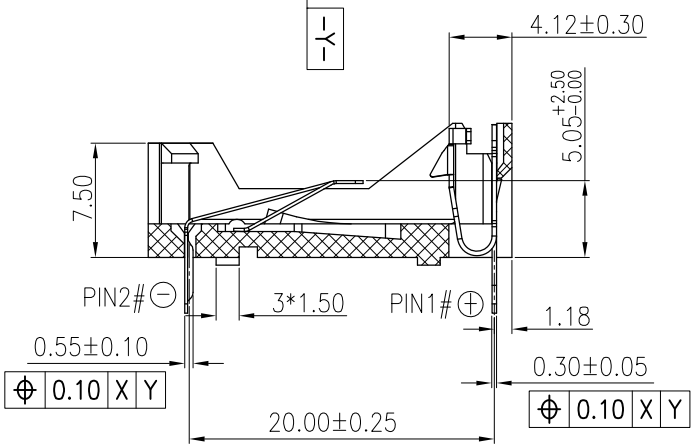
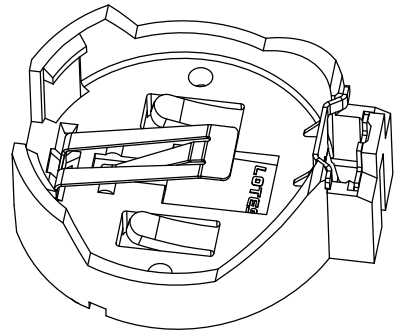
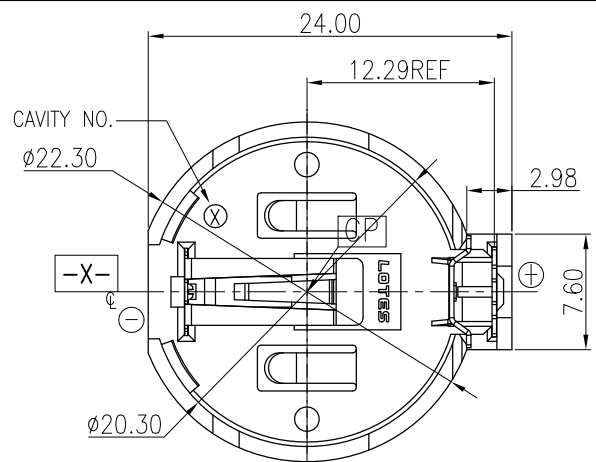


REV.	ECN NO./DESCRIPTION	DATE
11	N150617	12/10'15
12	N160146	03/30'16
12A	R160262	07/22'16



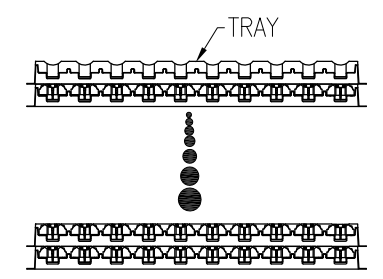
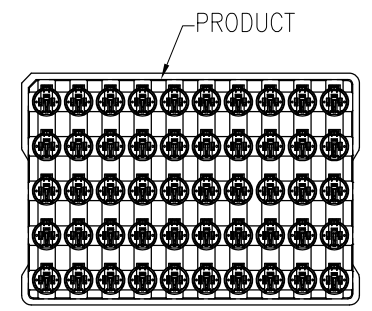
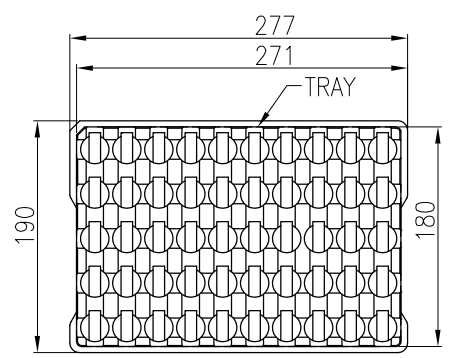
RECOMMENDED PCB LAYOUT(TOP VIEW)
(PCB THICKNESS:T=1.60mm)(TOLERANCE:±0.05)

- NOTES:
- MATERIAL SPECIFICATION
1-1.HOUSING:SEE TABLE;UL94V-0.
1-2.CONTACTS:SEE TABLE.
 - PLATING SPECIFICATION:SEE TABLE
 - ELECTRICAL PERFORMANCE
LLCR:30mΩ MAX.
INSULATION RESISTANCE:1000MΩ MIN.
DIELECTRIC WITHSTANDING:1000V AC FOR 1MINUTE.
 - WAVE SOLDER:CONNECTOR MOUNTED ON THE PCB,THE TEMPERATURE OF THE SOLDER SHALL BE 260±5°C AND IMMERSION DURATION 3~5 SECONDS.
 - IR REFLOW:THE PEAK TERMPERTURE ON THE BOARD SHALL BE MAINTAINED 10 SECONDS AT 260±5°C.

- 6.RoHS OR HF COMPLIANT.
- 7.PRODUCT NUMBER NOTE:
AAA-BAT-XXX-XXX
- CONNECTOR
 - TYPE SERIAL NUMBER
 - K/T/F/M:RoHS COMPLIANT
 - P/W/Y:HF COMPLIANT
 - PRODUCT SERIAL NUMBER
 - PRODUCT TYPE
 - FINISHED PRODUCT
 - CARD EDGE CONNECTOR

GENERAL TOLERANCES UNLESS SPECIFIED		PART NO.	LOTES		
.X± 0.35	X°± 3°	SEE TABLE	TITLE BATTERY HOLDER FOR CR2032		
.XX± 0.25	X°± 2°	APPROVED BY JIE_LIAO	DWG NO. GAP-AAA-BAT-029		
.XXX± 0.15	.XX°± 1°	CHECKED BY YONG_LIU	SHEET 1 / 2		
SIZE A4	UNITS mm[INCH]	DRAWN BY PEIYU_LOU	SCALE 2:1	REV 12A	

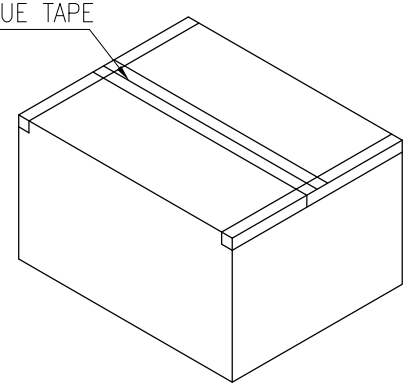
REV.	ECN NO./DESCRIPTION	DATE
11	N150617	12/10'15
12	N160146	03/30'16
12A	R160262	07/22'16



TOTAL 42PCS TRAY(2000PCS PRODUCT)
(TOW ROW AND 21 LAYER)

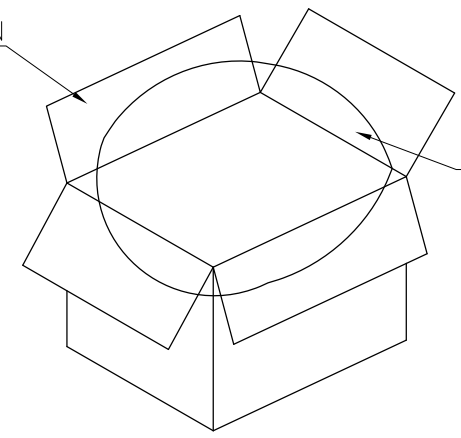
1TRAY:50PCS/PRODUCT

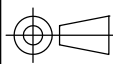
TRANSPARENT GLUE TAPE



CARTON

PE BAG



GENERAL TOLERANCES UNLESS SPECIFIED		PART NO.	LOTES			
.X± 0.35	X°± 3°	SEE TABLE				
.XX± 0.25	.X°± 2°	APPROVED BY	TITLE			
.XXX± 0.15	.XX°± 1°	JIE_LIAO	BATTERY HOLDER FOR CR2032			
CUSTOMER DRAWING		CHECKED BY	DWG NO.			
		YONG_LIU	GAP-AAA-BAT-029			
SIZE	UNITS	DRAWN BY		SHEET	SCALE	REV
A4	mm[INCH]	PEIYU_LOU				

	1	2	3	4	5	6	7	8
F								
E								
D								
C								
B								
A								
	1	2	3	4	5	6	7	8

TABLE

AAA-BAT-029-K01	PBT+30%G.F,BLACK	Positive And NegativeC2680. Ni50u" Underplating,MATTE Sn100u"Min. ON Solder tail	3.15	WAVE SOLDER PROCESS
AAA-BAT-014-K01				
LOTES P/N	HOUSING	CONTACT	DIM"A"	COMPLIANT PROCESS

X-ON Electronics

Largest Supplier of Electrical and Electronic Components

Click to view similar products for [Coin Cell Battery Holders](#) category:

Click to view products by [LOTES](#) manufacturer:

Other Similar products are found below :

[9-1066-GF](#) [SMTU2450N-LF](#) [PDSN-11-D](#) [799-2007](#) [BH44AAB](#) [BH48DL](#) [BH8000](#) [MY-2430-01-R](#) [BS-16-B4AA006-R](#) [BS-24-B4AA016-R](#)
[BS-08-B2AA025-R](#) [101](#) [3035](#) [1025](#) [1027](#) [103](#) [1060](#) [1065](#) [D3](#) [46400000](#) [BC-0403](#) [BH-121-1B](#) [BH-1/2AA-2A](#) [BH-131A](#) [BH-3101A](#) [BH-3103B](#) [BH-311-1A](#) [BH-311-1D](#) [BH-321-1A](#) [BH-321-1B](#) [BH-321-1D](#) [BH-331-3D](#) [BH-331P](#) [BH-333A](#) [BH-341-1P](#) [BH-342-1A](#) [BH-351A](#)
[BH-383A](#) [BH-422A](#) [BH-425A](#) [BH-431-1B](#) [BH-463A](#) [BH-511A](#) [46300000](#) [799-2001](#) [SBH-331A](#) [SBH-341-1A](#) [SBH-341-AS](#) [SBH-431-1AS](#) [SBH-441A](#)