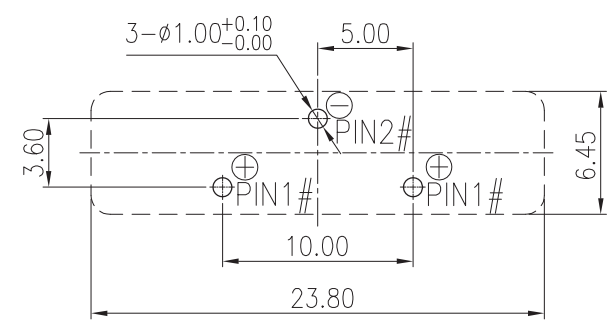
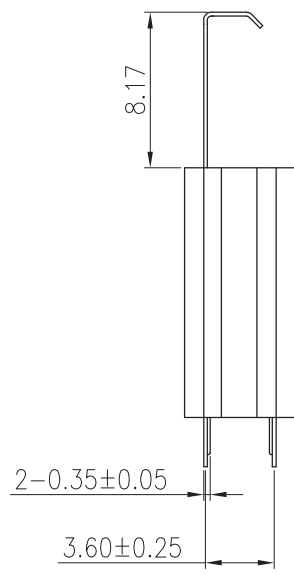
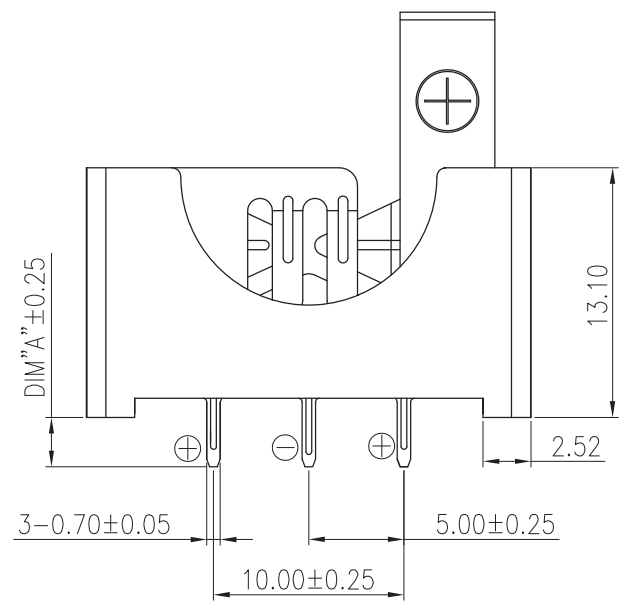
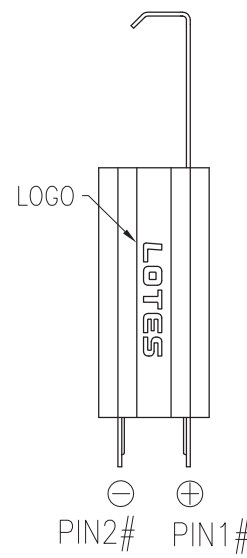
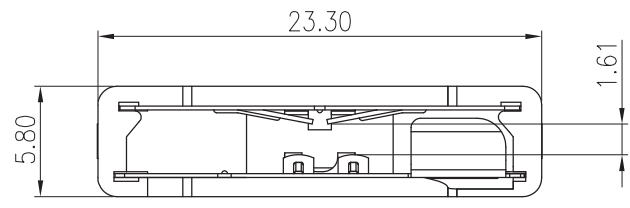
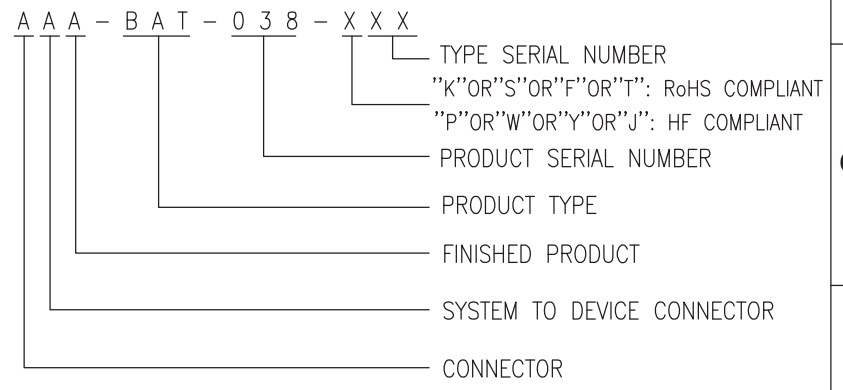


REV.	ECN NO./DESCRIPTION	DATE
7	N130696	10/15'13
8	N150617	12/10'15
9	N160146	03/30'16



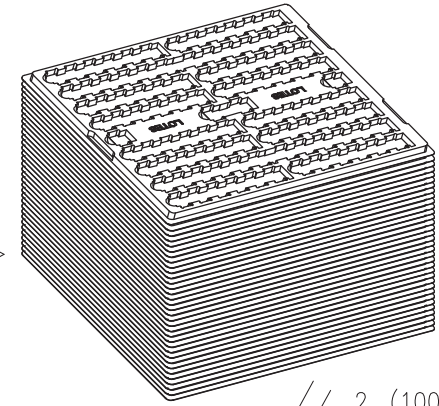
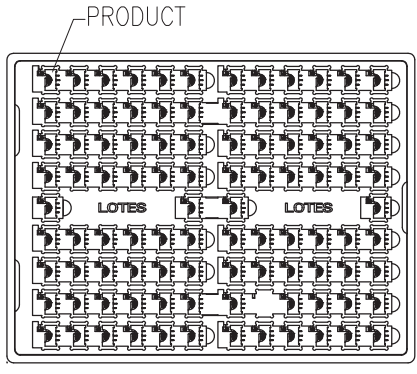
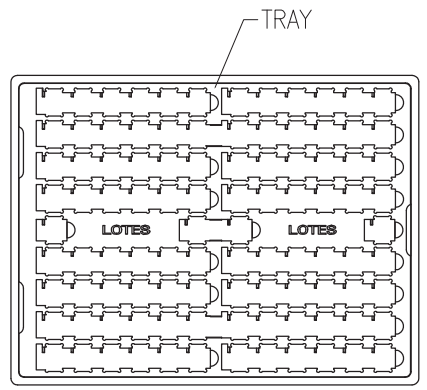
RECOMMENDED PCB LAYOUT(TOP VIEW)  
(PCB THICKNESS:T=1.60mm)(TOLERANCE:±0.05)

- NOTES:
- MATERIAL:  
HOUSING:PA66+30%G.F,UL94V-0;COLOR:SEE TABLE.  
CONTACT MATERIAL:SEE TABLE
  - PLATING SPEC.:SEE TABLE.
  - ELECTRICAL PERFORMANCE:  
LLCR:30mΩ MAX.  
INSULATION RESISTANCE:1000MΩ MIN.  
DIELECTRIC WITHSTAND VOLTAGE: 1000V AC FOR 1 MINUTE.
  - WAVE SOLDER:CONNECTOR MOUNTED ON THE PCB,THE TEMPERATURE OF THE SOLDER SHALL BE 260±5°C FOR 3~5 SECONDS.
  - RoHS OR HALOGEN FREE COMPLIANT.
  - PRODUCT NUMBER NOTE:

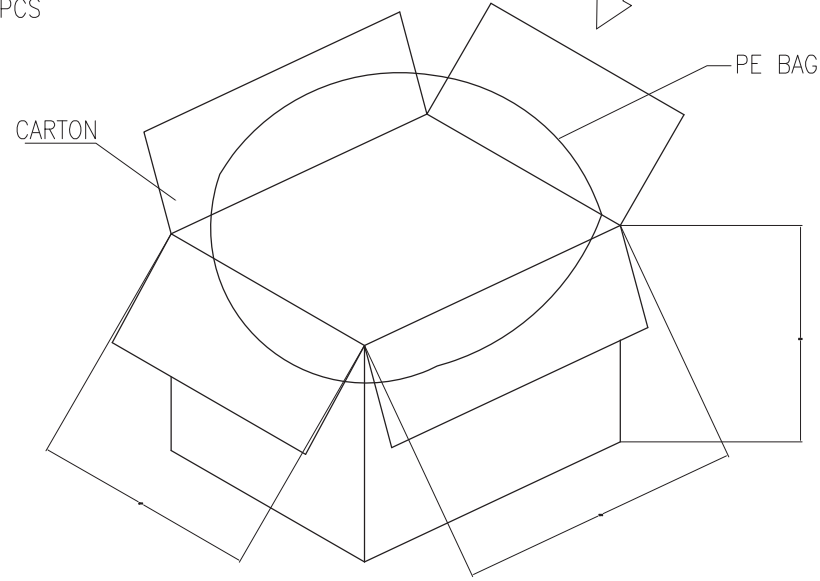
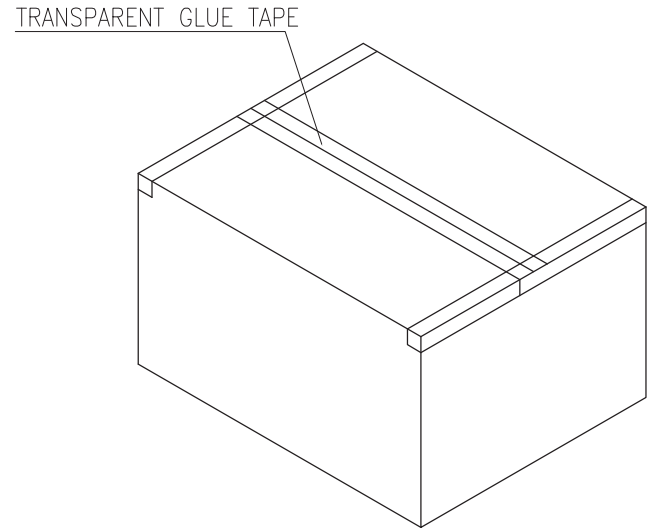


GENERAL TOLERANCES UNLESS SPECIFIED		PART NO.	<b>LOTES</b>			
SEE TABLE		SEE TABLE				
X ± 0.35	X° ± 3°	APPROVED BY	TITLE BATTERY HOLDER FOR CR2032			
.XX ± 0.25	X° ± 2°	JIE LIAO				
.XXX ± 0.15	.XX° ± 1°	CHECKED BY	DWG NO. GAP-AAA-BAT-038			
CUSTOMER DRAWING		YONG LIU				
SIZE	UNITS	DRAWN BY	SHEET	SCALE	REV	
A4	mm[INCH]	PEIYU LOU				1 / 2

REV.	ECN NO./DESCRIPTION	DATE
7	N130696	10/15'13
8	N150617	12/10'15
9	N160146	03/30'16



2. (100PCS\*35Tray)+1Tray=3500PCS/Carton



GENERAL TOLERANCES UNLESS SPECIFIED		PART NO.		<b>LOTES</b>				
SEE TABLE		SEE TABLE						
.X ± 0.35	X.° ± 3°	APPROVED BY		TITLE				
.XX ± 0.25	.X° ± 2°	JIE LIAO		BATTERY HOLDER FOR CR2032				
.XXX ± 0.15	.XX° ± 1°	CHECKED BY		DWG NO.				
CUSTOMER DRAWING		YONG LIU		GAP-AAA-BAT-038				
SIZE	UNITS	DRAWN BY		DRAWN BY		SHEET	SCALE	REV
A4	mm[INCH]	PEIYU LOU						
				2 / 2		1:1		9

TABLE

PART NO.	CONTACT MATERIAL	HOUSING COLOR	PLATING SPEC.	DIM"A"
AAA-BAT-038-K01 KB7566BP5L	PHOSPHOR BRONZE(C5191)	BLACK	BRIGHT TIN100u" MIN. PLATED ALL OVER;Ni50u" MIN. UNDERPLATING.	2.60
AAA-BAT-038-P01	PHOSPHOR BRONZE(C5191)	BLACK	BRIGHT TIN100u" MIN. PLATED ALL OVER;Ni50u" MIN. UNDERPLATING.	2.60
AAA-BAT-038-K02	PHOSPHOR BRONZE(C5191)	BLUE	BRIGHT TIN100u" MIN. PLATED ALL OVER;Ni50u" MIN. UNDERPLATING.	2.60
AAA-BAT-038-K03	PHOSPHOR BRONZE(C5191)	BLACK	Ni50u" MIN. UNDERPLATING;MATTE TIN100u" MIN. PLATED ON SOLDER TAIL.	2.60
AAA-BAT-038-K04	PHOSPHOR BRONZE(C5191)	BLACK	Ni50u" MIN. UNDERPLATING;MATTE TIN100u" MIN. PLATED ON SOLDER TAIL. Au1u" PLATED ON CONTACT AREA.	2.60
AAA-BAT-038-K05	PHOSPHOR BRONZE(C5191)	BLACK	Ni50u" MIN. PLATED ALL OVER	2.60
AAA-BAT-038-K07	STAINLESS STEEL(SUS304)	BLACK	Ni50u" MIN. UNDERPLATING;BRIGHT TIN100u" MIN. PLATED ON SOLDER TAIL.	2.60
AAA-BAT-038-K13	STAINLESS STEEL(SUS304)	BLACK	Ni50u" MIN. UNDERPLATING;MATTE TIN100u" MIN. PLATED ON SOLDER TAIL.	2.60
AAA-BAT-038-K11	PHOSPHOR BRONZE(C5191)	BLACK	Ni50u" MIN. UNDERPLATING;MATTE TIN100u" MIN. PLATED ON SOLDER TAIL. Au5u" PLATED ON CONTACT AREA.	2.60
AAA-BAT-038-K16	PHOSPHOR BRONZE(C5191)	BLACK	Ni50u" MIN. UNDERPLATING;MATTE TIN100u" MIN. PLATED ON SOLDER TAIL. Au1u" PLATED ON CONTACT AREA.	4.70
AAA-BAT-038-K19	PHOSPHOR BRONZE(C5191)	BLACK	Ni50u" MIN. UNDERPLATING;MATTE TIN100u" MIN. PLATED ON SOLDER TAIL. Au1u" PLATED ON CONTACT AREA.	4.70
AAA-BAT-038-K22	PHOSPHOR BRONZE(C5191)	BLACK	Ni50u" MIN. UNDERPLATING;MATTE TIN100u" MIN. PLATED ON SOLDER TAIL.	2.60
AAA-BAT-038-K20	PHOSPHOR BRONZE(C5191)	BLACK	BRIGHT TIN100u" MIN. PLATED ALL OVER;Ni50u" MIN. UNDERPLATING.	2.60

## X-ON Electronics

Largest Supplier of Electrical and Electronic Components

*Click to view similar products for [Coin Cell Battery Holders](#) category:*

*Click to view products by [LOTES](#) manufacturer:*

Other Similar products are found below :

[9-1066-GF](#) [SMTU2450N-LF](#) [PDSN-11-D](#) [799-2007](#) [BH44AAB](#) [BH48DL](#) [BH8000](#) [MY-2430-01-R](#) [BS-16-B4AA006-R](#) [BS-24-B4AA016-R](#)  
[BS-08-B2AA025-R](#) [101](#) [3035](#) [1025](#) [1027](#) [103](#) [1060](#) [1063](#) [1065](#) [D3](#) [46400000](#) [BC-0403](#) [BH-121-1B](#) [BH-1/2AA-2A](#) [BH-131A](#) [BH-3101A](#)  
[BH-3103B](#) [BH-311-1A](#) [BH-311-1D](#) [BH-321-1A](#) [BH-321-1B](#) [BH-321-1D](#) [BH-331-3D](#) [BH-331P](#) [BH-333A](#) [BH-341-1P](#) [BH-342-1A](#) [BH-](#)  
[351A](#) [BH-383A](#) [BH-422A](#) [BH-425A](#) [BH-431-1B](#) [BH-463A](#) [BH-511A](#) [46300000](#) [799-2001](#) [SBH-331A](#) [SBH-341-1A](#) [SBH-341-AS](#) [SBH-](#)  
[431-1AS](#)