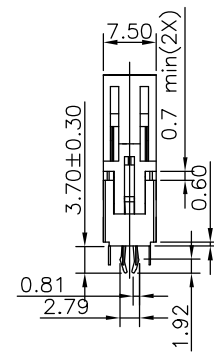
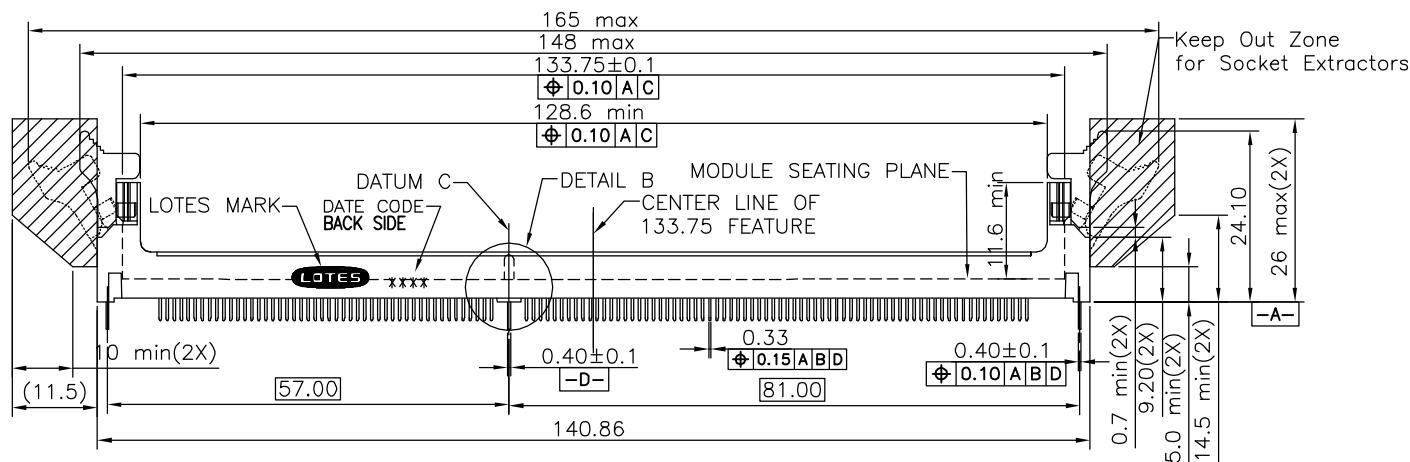
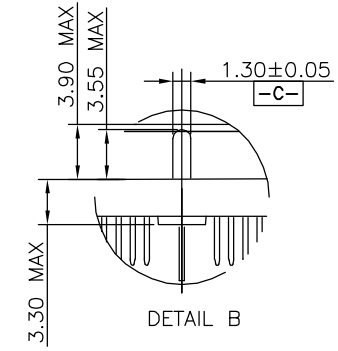
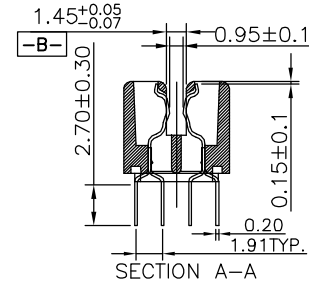
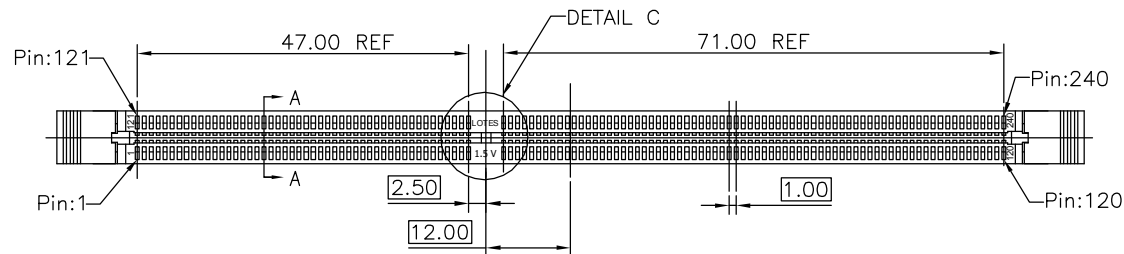


REV.	ECN NO.	DATE
E	R150233	10/13'15

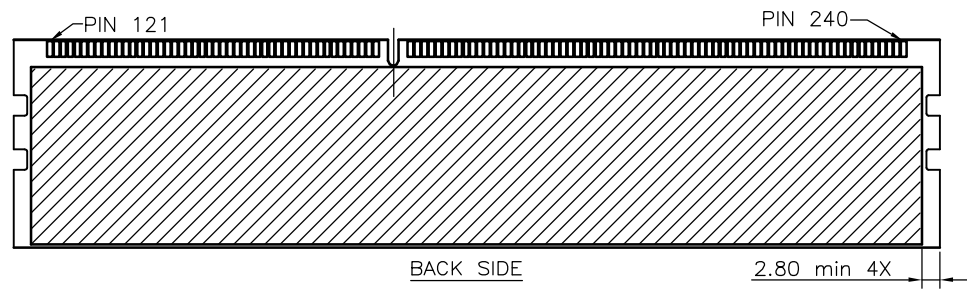
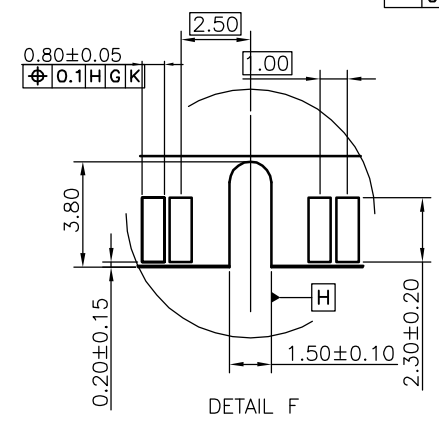
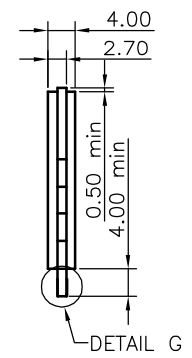
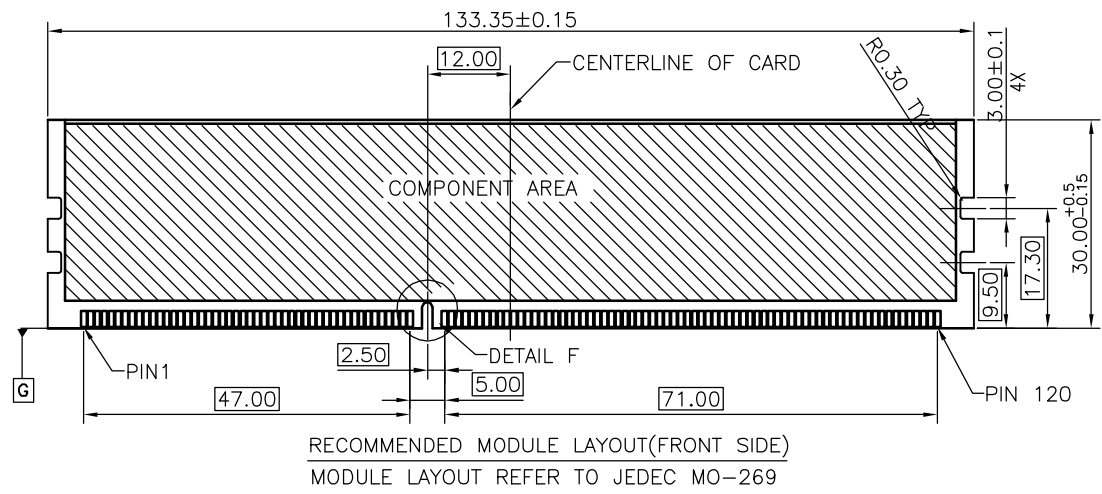
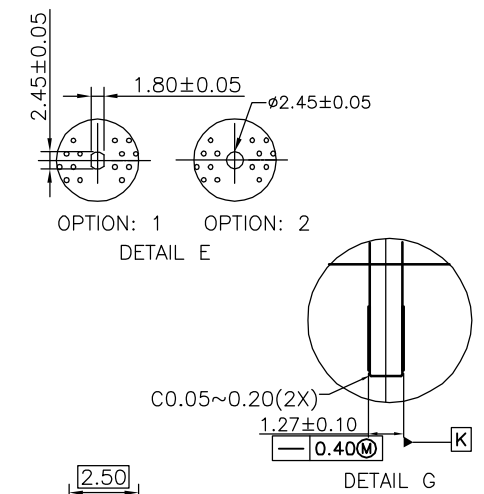
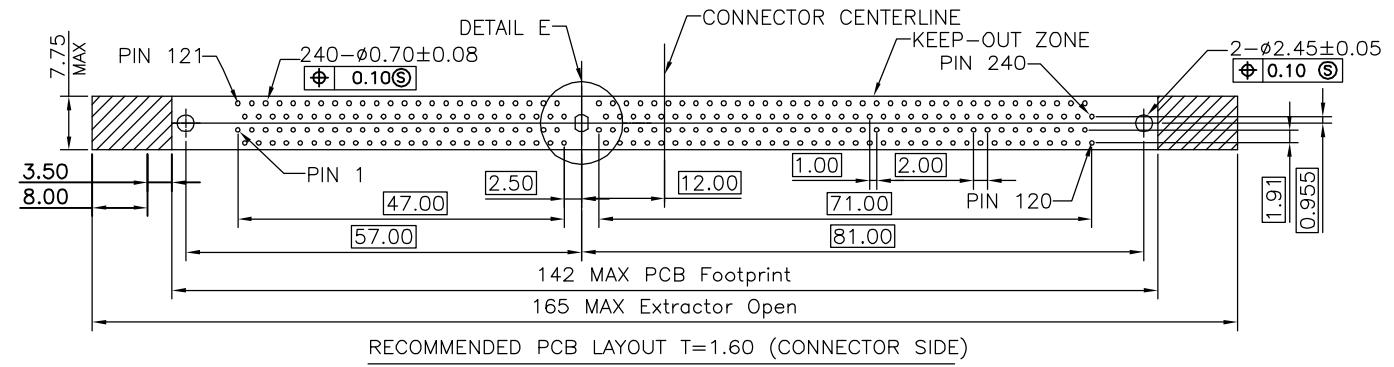


NOTES:

- MATERIAL:
HOUSING:THERMOPLASTIC UL94V-0. COLOR:SEE TABLE.
EJECTOR:THERMOPLASTIC. COLOR:SEE TABLE.
UL94V-0 OR UL94V-2(SEE TABLE).
CONTACT: BRASS ALLOY
FORKLOCK:STEEL ALLOY
- FINISH:
CONTACT:UNDER PLATING: NI 50U" MIN.
CONTACT AREA: SEE TABLE
SOLDER AREA: MATTE TIN 100U" MIN.
FORKLOCK:40U" MIN NI UNDER PLATING.
MATTE TIN 80U" MIN ON NI.
- MECHANICAL AND ELECTRICAL SPEC:
DURABILITY: 25 CYCLES
RETENTION FORCE: 0.30kgf/PIN MIN
MATING FORCE: 10.8kgf MAX
UNMATING FORCE: 1.68kgf MIN
CONTACT RESISTANCE: 30mΩ MAX
DIELECTRIC WITHSTANDING VOLTAGE: 500V AC
INSULATION RESISTANCE: 1000MΩ MIN
- RoHS COMPLIANT OR HALOGEN FREE COMPLIANT.
- THE CONNECTOR SHALL BE MOUNTED ON THE PCB, THE TEMPERATURE OF THE SOLDER SHALL BE: 270°C AND IMMERSION DURATION:10 SECONDS MAX.
- DATE CODE:
** ** WW
YY
- PRODUCT NUMBER NOTE:
AAA - DDR - *** - ***
TYPE SERIAL NUMBER
K:RoHS COMPLIANT
P:HF COMPLIANT
PRODUCT SERIAL NUMBER
PRODUCT TYPE
FINISHED PRODUCT
CARD EDGE CONNECTOR
CONNECTOR

GENERAL TOLERANCES UNLESS SPECIFIED		PART NO. SEE TABLE	LOTES			
.X±0.35	X'±3'					APPROVED BY Bill
.XX±0.25	.X'±2'		CHECKED BY Bill	DWG NO. GAP-AAA-DDR-184		
.XXX ±0.15	.XX'±1.0'	CUSTOMER DRAWING			DRAWN BY Grider	SHEET 1 / 2
SIZE A4	UNITS MM[INCH]					

REV.	ECN NO.	DATE
E	R150233	10/13'15



GENERAL TOLERANCES UNLESS SPECIFIED		PART NO. SEE TABLE	LOTES		
.X±0.35	X'±3"				
.XX±0.25	.X'±2"	APPROVED BY	TITLE		
.XXX±0.15	.XX'±1.0"	Bill	DDR III 240 PIN CONNECTOR		
CUSTOMER DRAWING		CHECKED BY	DWG NO.		
		Bill	GAP-AAA-DDR-184		
SIZE	UNITS	DRAWN BY	SHEET	SCALE	REV
A4	MM[INCH]	Grider			

F
E
D
C
B
A

F
E
D
C
B
A

1 2 3 4 5 6 7 8

1 2 3 4 5 6 7 8

P/N	CONTACT FINISH	OLD P/N	DIM"A"
AAA-DDR-184-K31	Housing_Black,Brass_G/F,Black Ejector UL94V-0	AAA-DDR-142-K31	2.7mm
AAA-DDR-184-K77	Housing_Gray 431C,Brass_G/F,Gray 431C Ejector UL94V-2	AAA-DDR-142-K77	

X-ON Electronics

Largest Supplier of Electrical and Electronic Components

Click to view similar products for [Standard Card Edge Connectors](#) category:

Click to view products by [LOTES](#) manufacturer:

Other Similar products are found below :

[CR7E-30DB-3.96E\(72\)](#) [6565204-6](#) [1437274-4](#) [EBT15622B2X](#) [1-582587-1](#) [284-0102-12100](#) [286-0052-12101A](#) [306022901000000](#) [307-012-502-202](#) [307-056-520-300](#) [A6D22DS29C2](#) [1926088-2](#) [287-0032-12101](#) [345-060-559-303](#) [392-008-559-201](#) [534671-1](#) [341-240-317](#) [345-044-500-300](#) [346-240-318](#) [387-012-523-300](#) [395-100-524-300](#) [09-07-2032](#) [10035388-802LF](#) [10115859-011LF](#) [10122859-009LF](#) [101269333204245CLF](#) [530555-1](#) [66925-516LF](#) [5145409-2](#) [73726-0005](#) [66308-1](#) [5036A30](#) [PEC-07-02-T-S-A](#) [346-014-520-801](#) [KSLX-62-BR](#) [307-048-502-202](#) [CE100F26-7-C](#) [CE100F28-3-D](#) [CE100F28-4-D](#) [CE156F18-9-C](#) [CE156F22-5-D](#) [CE156F22-9-C](#) [CT100F22-2-D](#) [CT100F22-3-D](#) [CT100F24-2-D](#) [CT100F24-3-D](#) [CT100F24-6-C](#) [CT156F22-4-D](#) [MLSS100-12-C](#) [MLSS100-16-C](#)