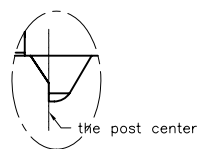
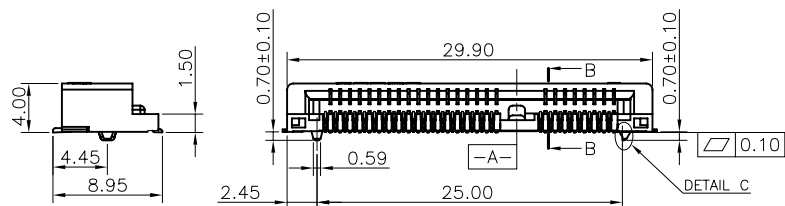
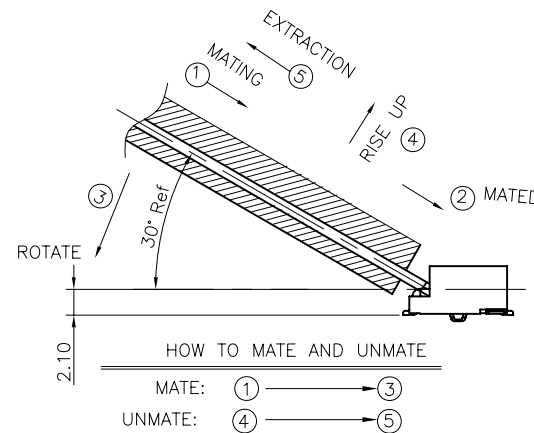
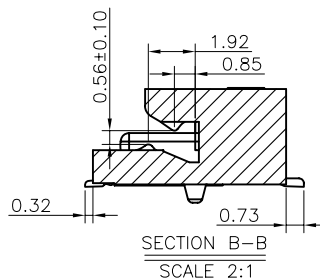
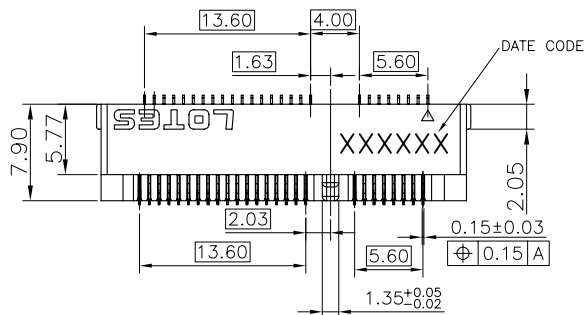
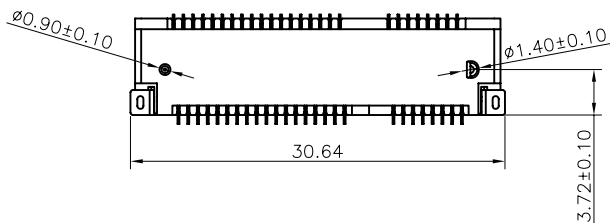


REV.	ECR/N NO./DESCRIPTION	DATE	DRAWN	CHECKED	APPROVE
9E	SR12***	01/08'13	Tracy	Raymond	Barney
9F	SR13***	02/21'13	Tracy	Raymond	Barney
9G	SR13***	04/17'13	Tracy	Raymond	Barney



DETAIL C
SCALE 5:1



TABLE

NO.	PART NO.	DESCRIPTION
7	AAA-PCI-049-P08	WHITE, GOLD FLASH 1u" MIN, HF
6	AAA-PCI-049-P07	BLACK, Au 15u", HF
5	AAA-PCI-049-P06/P06_A	BLACK, Au 10u" HF
4	AAA-PCI-049-P01/P01_A	BLACK, GOLD FLASH 1u" MIN, HF
3	AAA-PCI-049-K06	BLACK, Au 10u"
1	AAA-PCI-049-K01/K01_A	BLACK, GOLD FLASH 1u" MIN

GENERAL TOLERANCES UNLESS SPECIFIED		PART NO.	LOTES TITLE MINI PCI EXPRESS 4.0H 0.8PITCH 52P DWG NO. AP-AAA-PCI-049						
X ± 0.35	X.° ± 3°	SEE TABLE							
.XX ± 0.25	.X.° ± 2°	APPROVED BY Barney							
.XXX ± 0.15	.XX.° ± 1°	CHECKED BY Raymond							
CUSTOMER DRAWING		DRAWN BY XU	<table border="1"> <tr> <th>SHEET</th> <th>SCALE</th> <th>REV</th> </tr> <tr> <td>1 / 6</td> <td>5 : 3</td> <td>9G</td> </tr> </table>	SHEET	SCALE	REV	1 / 6	5 : 3	9G
SHEET	SCALE	REV							
1 / 6	5 : 3	9G							

1 2 3 4 5 6 7 8

F

F

NOTES:

1.MATERIAL:

- 1).HOUSING: LCP BLACK OR WHITE UL94V-0.
- 2).CONTACT: BRASS.
- 3).PADS: BRASS .

2.FINISH:

2.1 CONTACTS:

- 1).50u"MIN Ni UNDER PLATED OVER ALL.
- 2).Au PLATING ON CONTACT AREA (SEE TABLE), AND ON SOLDER AREA

2.2 PADS:

- 1).60u"MIN Ni UNDER PLATED OVER ALL.
- 2).MATTE-Tin 100u"MIN ON SOLDER AREA.

3.MECHANICAL PERFORMANCE,

DURABILITY:50 CYCLES

MATING & UNMATING FORCE: 2.3 Kgf MAX.

4.ELECTRICAL PERFORMANCE,

4-1.VOLTAGE RATING: 50 V AC PER CONTACT.

CURRENT RATING: 0.5 A.

4-2.LLCR:INITIAL 55mΩ MAX PER CONTACT..

FINAL 20mΩ MAX

4-3.INSULATION RESISTANCE:

500MΩ MIN

4-4.DIELECRIC WITHSTAND VOLTAGE:

AC 300V FOR 1 MINUTE BETWEEN ADJACENT CONTACTS.

NO BREAKDOWN OR FLASH.

CURRENT LEAKAGE:1mA.

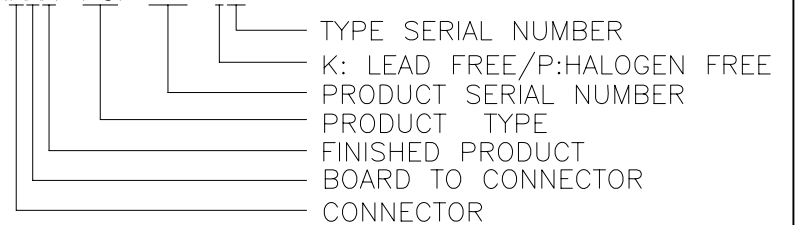
5. IR REFLOW:

THE PEAK TEMPRATURE ON THE BOARD SHALL BE MAINTAINED FOR 10 SECONDS AT 250±10°C.

6. DC: XXXXXX



7. PRODUCT NO:AAA-PCI-***-***



E

E

D

D

C

C

B

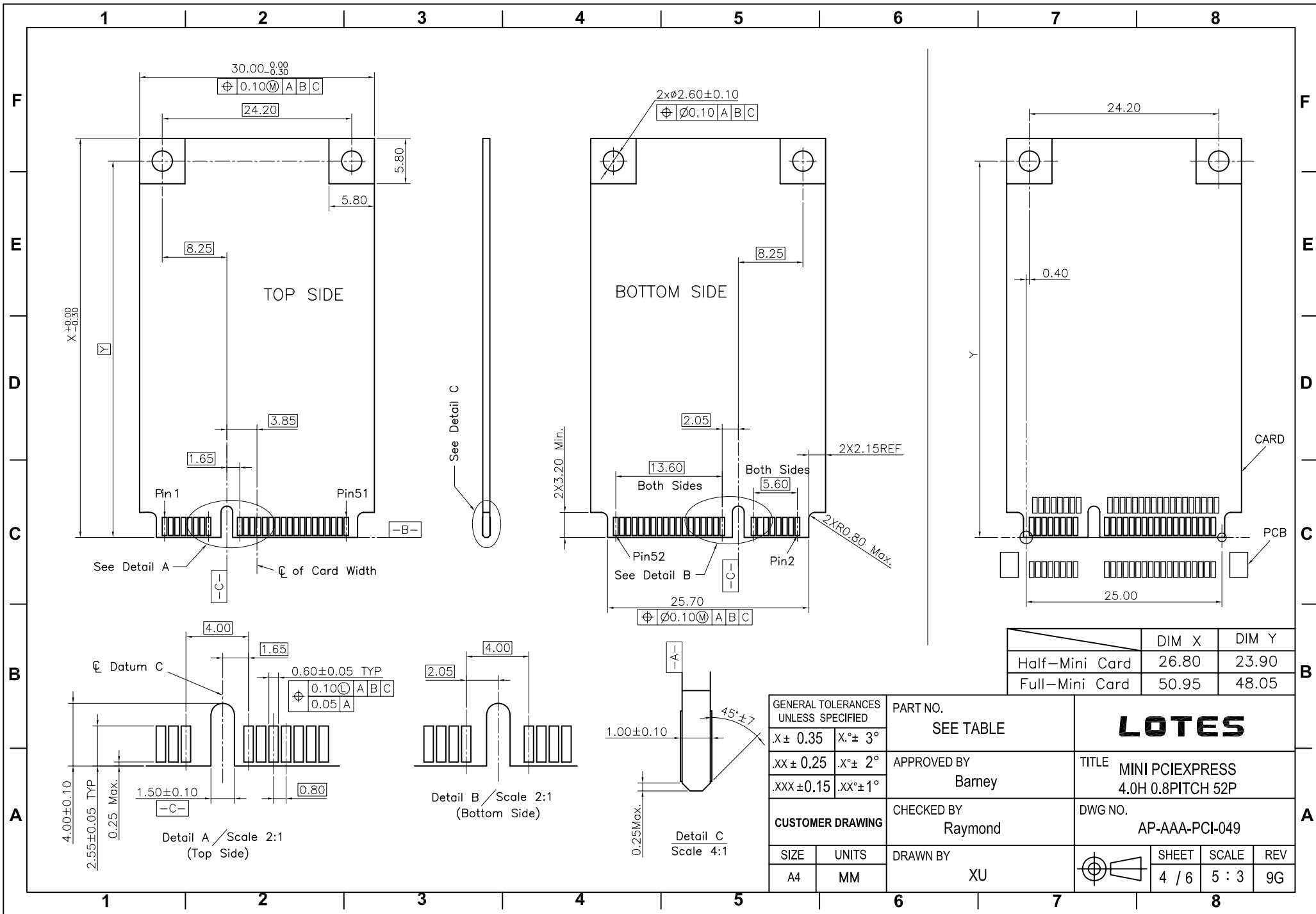
B

A

A

GENERAL TOLERANCES UNLESS SPECIFIED		PART NO. SEE TABLE	LOTES			
X ± 0.35	X° ± 3°					
.XX ± 0.25	X° ± 2°	APPROVED BY Barney	TITLE MINI PCIEXPRESS 4.0H 0.8PITCH 52P			
.XXX ± 0.15	.XX° ± 1°	CHECKED BY Raymond	DWG NO. AP-AAA-PCI-049			
CUSTOMER DRAWING		DRAWN BY XU		SHEET 2 / 6	SCALE 5 : 2	REV 9G
SIZE A4	UNITS MM[INCH]					

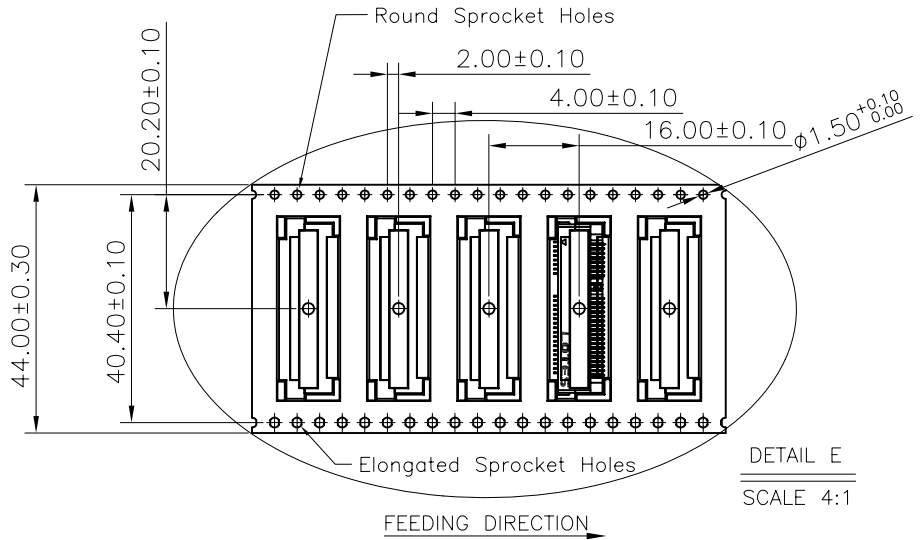
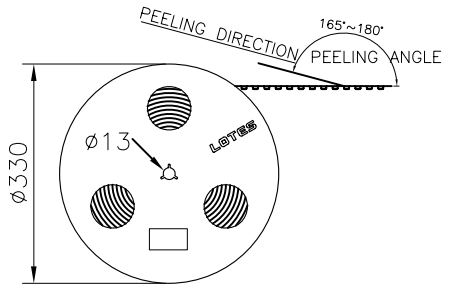
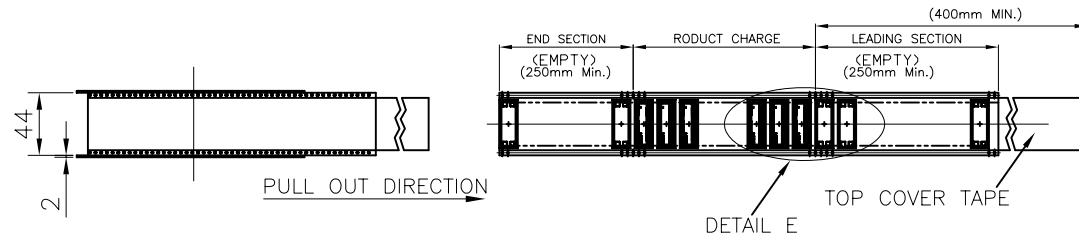
1 2 3 4 5 6 7 8



GENERAL TOLERANCES UNLESS SPECIFIED	
X ± 0.35	X.° ± 3°
.XX ± 0.25	.X.° ± 2°
.XXX ± 0.15	.XX.° ± 1°

PART NO. SEE TABLE	
APPROVED BY Barney	
CHECKED BY Raymond	
DRAWN BY XU	

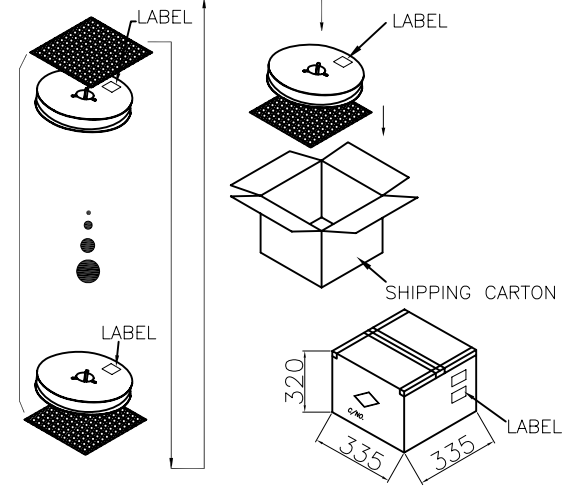
LOTES		
TITLE MINI PCI EXPRESS 4.0H 0.8PITCH 52P		
DWG NO. AP-AAA-PCI-049		
	SHEET 4 / 6	SCALE 5 : 3
	REV 9G	



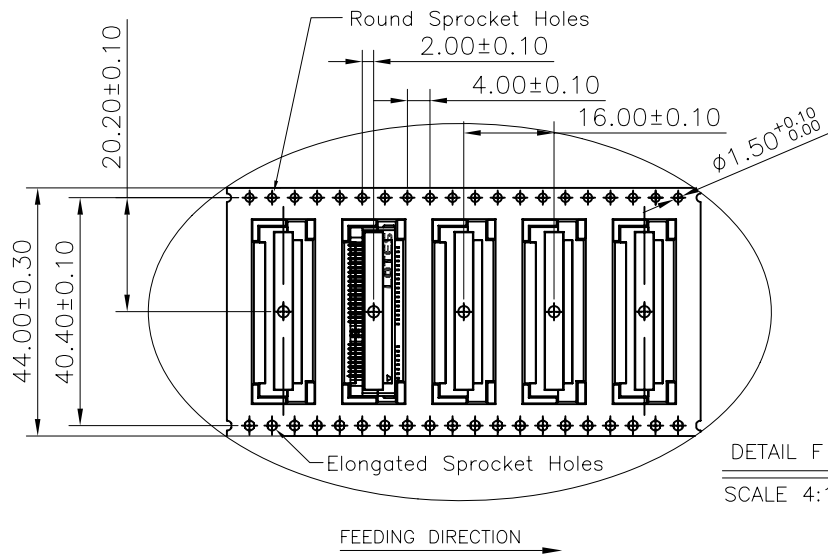
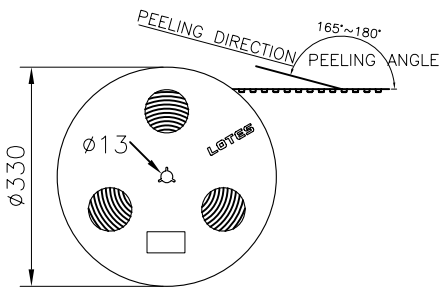
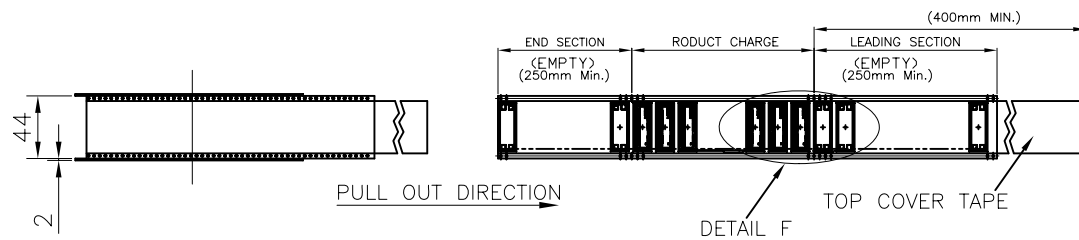
AAA-PCI-049-K06/P07/P08/P06/K01/P01

NOTES:

1. MATERIAL :
 - 1.1 CARRY TAPE: PS
 - 1.2 COVER TAPE: PET
 - 1.3 SHIPPING CARTON: CORRUGATED FIBER
2. DIMENSION :
 - 2.1 REEL: W=44.5, $\phi A=330$
 - 2.2 SHIPPING CARTON: L=335, W=335, H=300 (INNER)
3. QUANTITY :
 - 3.1 PRIMARY PACKING: 700 PCS/REEL
 - 3.2 SECONDARY PACKING: 6 REELS/CARTON(4200PCS)
4. WEIGHT :
 - 4.1 NET WEIGHT:4.956Kg/CARTON.
 - 4.2 GROSS WEIGUT:8.892Kg/CARTON.
5. PEELING RESISTANCE: 20gf~120gf.
6. PEELING SPEED: 300mm/minutes.



GENERAL TOLERANCES UNLESS SPECIFIED		PART NO. SEE TABLE	LOTES				
X± 0.35	X.°± 3°						APPROVED BY Barney
.XX ± 0.25	.X°± 2°		CHECKED BY Raymond		DWG NO. AP-AAA-PCI-049		
.XXX ± 0.15	.XX°± 1°	CUSTOMER DRAWING		DRAWN BY XU		SHEET 5 / 6	
SIZE A4	UNITS MM[INCH]			SCALE N/A		REV 9G	

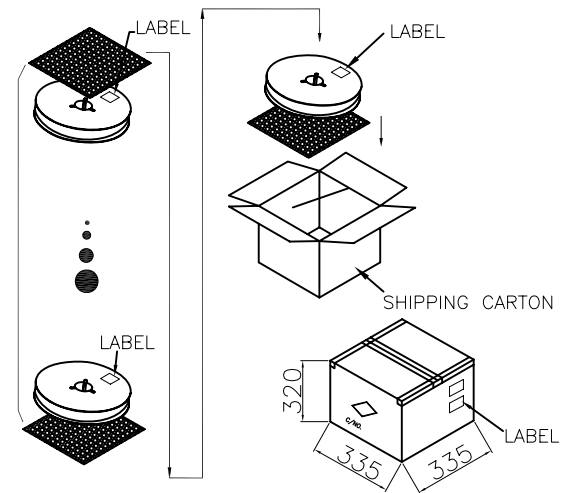


DETAIL F
SCALE 4:1

AAA-PCI-049-K01_A/P06_A/P01_A

NOTES:

1. MATERIAL :
 - 1.1 CARRY TAPE: PS
 - 1.2 COVER TAPE: PET
 - 1.3 SHIPPING CARTON: CORRUGATED FIBER
2. DIMENSION :
 - 2.1 REEL: W=44.5, φA=330
 - 2.2 SHIPPING CARTON: L=335, W=335, H=300 (INNER)
3. QUANTITY :
 - 3.1 PRIMARY PACKING: 700 PCS/REEL
 - 3.2 SECONDARY PACKING: 6 REELS/CARTON(4200PCS)
4. WEIGHT :
 - 4.1 NET WEIGHT:4.956Kg/CARTON.
 - 4.2 GROSS WEIGUT:8.892Kg/CARTON.
5. PEELING RESISTANCE: 20gf~120gf.
6. PEELING SPEED: 300mm/minutes.



GENERAL TOLERANCES UNLESS SPECIFIED		PART NO. SEE TABLE	LOTES							
X± 0.35	X.°± 3°						APPROVED BY Barney		TITLE MINI PCIEXPRESS 4.0H 0.8PITCH 52P	
.XX ± 0.25	.X°± 2°									
.XXX ± 0.15	.XX°± 1°									
CUSTOMER DRAWING		CHECKED BY Raymond		DWG NO. AP-AAA-PCI-049						
SIZE A4	UNITS MM[INCH]	DRAWN BY XU			SHEET 6 / 6	SCALE N/A	REV 9G			

X-ON Electronics

Largest Supplier of Electrical and Electronic Components

Click to view similar products for [Standard Card Edge Connectors](#) category:

Click to view products by [LOTES](#) manufacturer:

Other Similar products are found below :

[CR7E-30DB-3.96E\(72\)](#) [6364499-1](#) [6565204-6](#) [147889-1](#) [EBT15622B2X](#) [1-582587-1](#) [284-0102-12100](#) [286-0052-12101A](#) [306022901000000](#)
[307-012-502-202](#) [307-056-520-300](#) [A6D22DS29C2](#) [1926088-2](#) [2129318-1](#) [287-0032-12101](#) [345-060-559-303](#) [392-008-559-201](#) [534671-1](#)
[341-240-317](#) [345-044-500-300](#) [346-240-318](#) [387-012-523-300](#) [395-100-524-300](#) [09-07-2032](#) [10035388-802LF](#) [10115859-011LF](#) [10122859-](#)
[009LF](#) [101269333204245CLF](#) [530555-1](#) [66925-516LF](#) [5145409-2](#) [73726-0005](#) [66308-1](#) [5036A30](#) [PEC-07-02-T-S-A](#) [346-014-520-801](#)
[KSLX-62-BR](#) [307-048-502-202](#) [CE100F26-7-C](#) [CE100F28-3-D](#) [CE100F28-4-D](#) [CE156F18-9-C](#) [CE156F22-5-D](#) [CE156F22-9-C](#) [CT100F22-](#)
[2-D](#) [CT100F22-3-D](#) [CT100F24-2-D](#) [CT100F24-3-D](#) [CT100F24-6-C](#) [CT156F22-4-D](#)