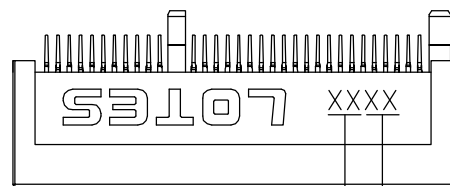
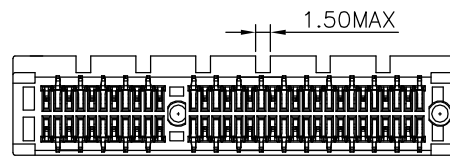
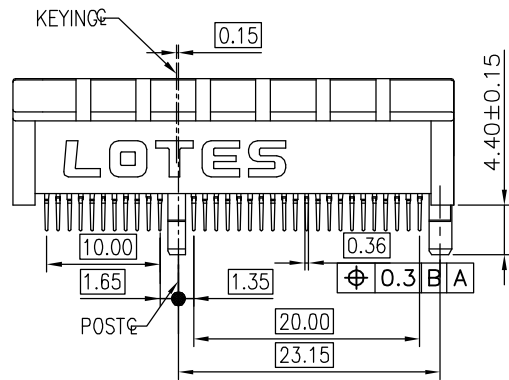
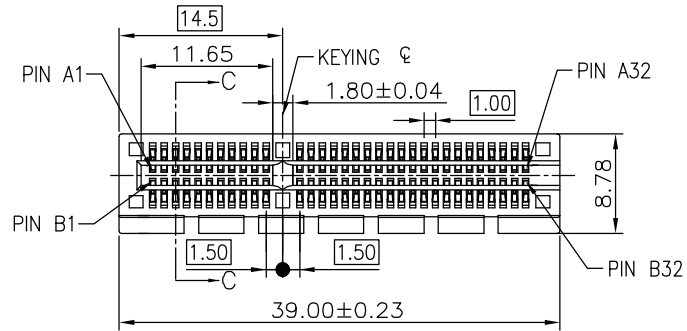
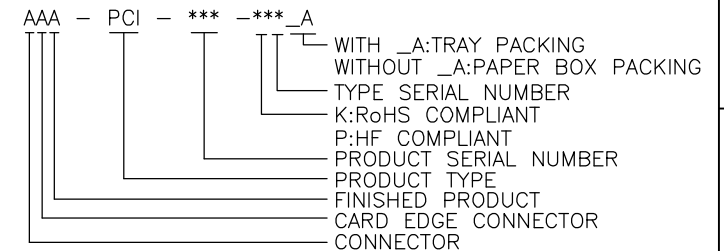


REV.	ECN NO./DESCRIPTION	DATE
1A	R150179	05/08'15

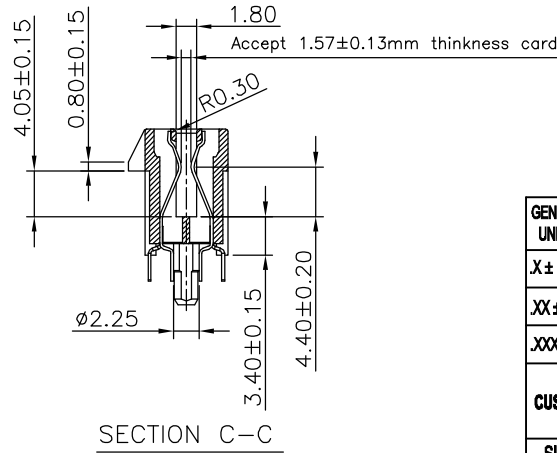
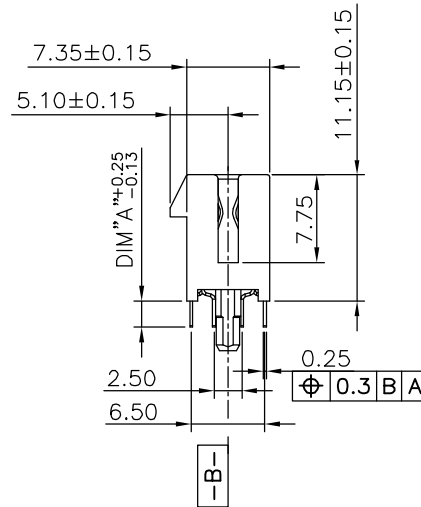
NOTES:

- MATERIAL:  
HOUSING: HIGH TEMPERATURE THERMOPLASTIC.  
(DETAILS REFER TO TABLE)  
TERMINAL: PHOSPHOR BRONZE C5191 OR BRASS C2680.
- FINISH:  
TERMINAL: 50u" NI PLATING OVER ALL;  
100u" MATTE Sn PLATING ON SOLDER TAIL;  
Au PLATING ON CONTACT AREA.
- MECHANICAL SPEC:  
DURABILITY: 50 CYCLES.  
RETENTION FORCE: 0.40 kgf MIN PER PIN.  
MATING FORCE: 1.15N MAX PER PAIR.  
UNMATING FORCE: 0.15N MIN PER PAIR.
- ELECTRICAL SPEC:  
CURRENT RATING: 1.1A.  
CONTACT RESISTANCE: 30 MILLIOHMS MAX. INITIAL.  
INSULATION RESISTANCE: 1000 MEGOHMS MIN.  
DIELECTRIC WITHSTANDING VOLTAGE: 500V AC MIN.
- WAVE SOLDERING:  
THE CONNECTOR SHALL BE MOUNTED ON THE PCB,  
THE TEMPERATURE OF THE SOLDER SHALL BE  
260±5°C AND IMMERSION DURATION 10±2 SECONDS.
- RoHS COMPLIANT OR HF COMPLIANT.

7.PRODUCT NUMBER NOTE:

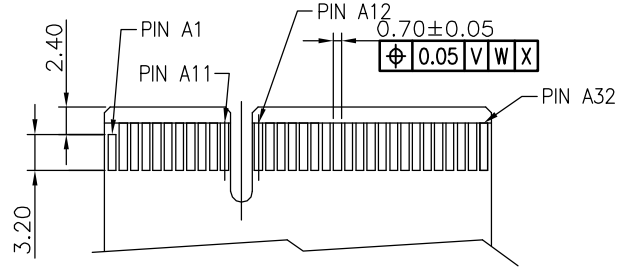
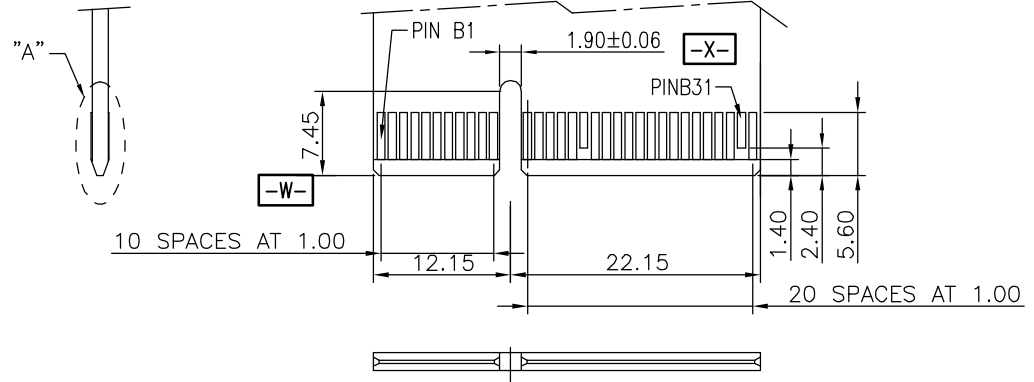


DATE CODE: WEEK YEAR

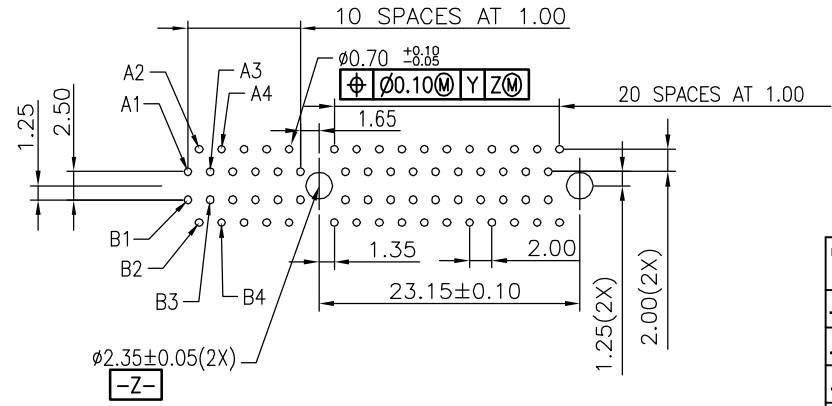


GENERAL TOLERANCES UNLESS SPECIFIED		PART NO.	LOTES		
X± 0.35	X°± 3°	AAA-PCI-161-K03	TITLE		
XX± 0.25	X°± 2°	APPROVED BY	64PIN PCI-EXPRESS CONNECTOR		
XXX± 0.15	XX°± 1°	BILL05/08'15	DWG NO.		
CUSTOMER DRAWING		CHECKED BY	GAP-AAA-PCI-161-K		
SIZE		zhangbiao 05/08'15	DRAWN BY		
A4	UNITS	maiyingkai 05/08'15	SHEET		
MM[INCH]	SCALE	1/2	REV		
			3:2		
			1A		

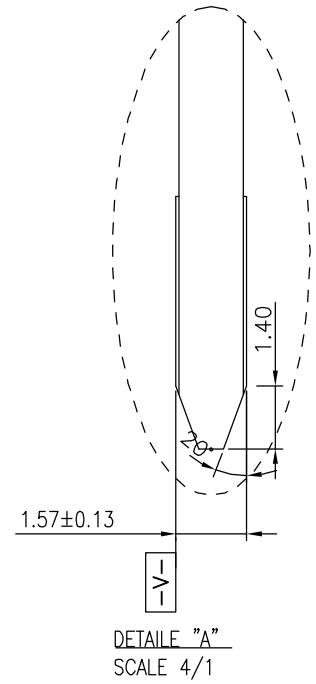
REV.	ECN NO./DESCRIPTION	DATE
1A	R150179	05/08'15



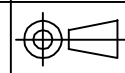
ADD-IN CARD EGDE-FINGER DIMENSIONS  
DEFAULT TOLERANCE ±0.05.



RECOMMENDED FOOTPRINT(TOP VIEW)  
DEFAULT TOLERANCE ±0.05.



GENERAL TOLERANCES UNLESS SPECIFIED		PART NO.	<b>LOTES</b>		
X± 0.35	X*± 3°	AAA-PCI-161-K03	TITLE 64PIN PCI-EXPRESS CONNECTOR		
XX± 0.25	X*± 2°	APPROVED BY BILL 05/08'15	DWG NO. GAP-AAA-PCI-161-K		
XXX± 0.15	XX*± 1°	CHECKED BY zhangbiao 05/08'15	DRAWN BY maiyingkai 05/08'15		
SIZE	UNITS	DRAWN BY maiyingkai 05/08'15	SHEET 2 / 2	SCALE 3:2	REV 1A
A4	MM[INCH]				





## X-ON Electronics

Largest Supplier of Electrical and Electronic Components

*Click to view similar products for [Standard Card Edge Connectors](#) category:*

*Click to view products by [LOTES](#) manufacturer:*

Other Similar products are found below :

[CR7E-30DB-3.96E\(72\)](#) [6565204-6](#) [1437274-4](#) [1-582587-1](#) [284-0102-12100](#) [286-0052-12101A](#) [306022901000000](#) [A6D22DS29C2](#) [1926088-2](#) [245-062-520-350](#) [287-0032-12101](#) [306-028-525-102](#) [307-072-526-202](#) [330-030-500-278](#) [345-060-559-303](#) [534671-1](#) [341-240-317](#) [345-044-500-300](#) [346-240-318](#) [C7D10DS29C1M133](#) [395-100-524-300](#) [09-07-2032](#) [10035388-802LF](#) [10115859-011LF](#) [10122859-009LF](#) [101269333204245CLF](#) [530555-1](#) [66925-516LF](#) [5145409-2](#) [73726-0005](#) [66308-1](#) [EBC05DRXN](#) [KSLX-62-BR](#) [CE100F26-7-C](#) [CE100F28-3-D](#) [CE100F28-4-D](#) [CE156F22-9-C](#) [CT100F24-3-D](#) [CT100F24-6-C](#) [MLSS100-12-C](#) [SCC100F-11-C](#) [SCC100F-20-C](#) [SCC100F-24-C](#) [SCC100F-25-C](#) [3-530656](#) [2512250177](#) [285-0112-12300](#) [346-068-556-300](#) [284-0492-11000](#) [287-0032-12301](#)