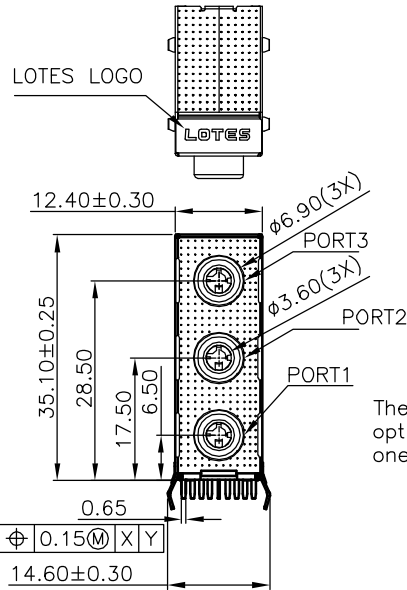
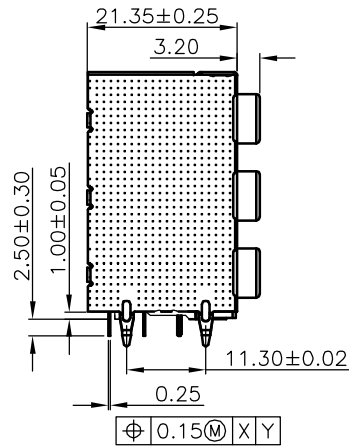
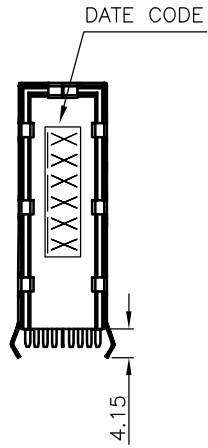
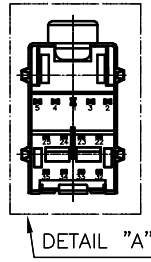
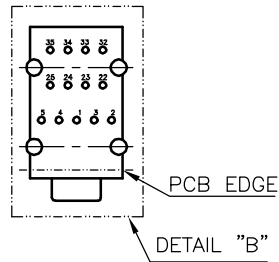
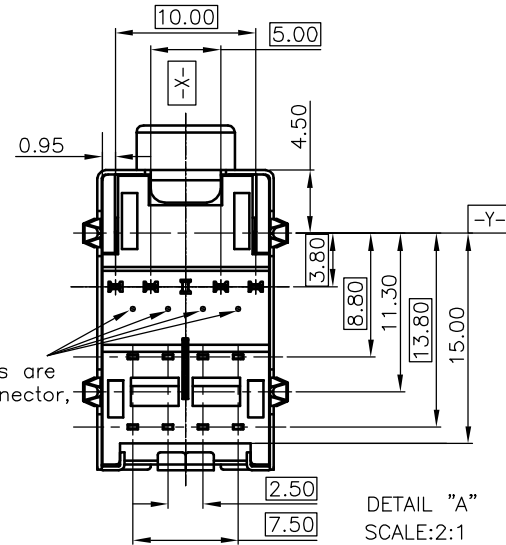


REV.	ECR/N NO./DESCRIPTION	DATE	DRAWN	CHECKED	APPROVE
1A	SN15***	10/14'15	panglei	Vito	Barney
1B	SN15***	11/20'15	Vito	Vito	Barney
1C	SN15***	01/04'16	Vito	Vito	Gear



These test points are optional. One connector, one point.



GENERAL TOLERANCES UNLESS SPECIFIED		PART NO. SEE TABLE	<b>LOTES</b>		
.X ± 0.35	X.° ± 3°				
.XX ± 0.25	X.° ± 2°	APPROVED BY Barney	TITLE SMART JACK 3 PORT		
.XXX ± 0.15	.XX° ± 1°	CHECKED BY Vito	DWG NO. AP-ABA-JAK-027-K		
CUSTOMER DRAWING		DRAWN BY Sam	SHEET 1 / 3	SCALE 1 : 1	REV 1C
SIZE A4	UNITS MM [INCH]				

NOTES:

1. MATERIALS:

HOUSING: PA66+30%GF,UL 94V-0,COLOR BLACK  
 SPACER:PA66+30%GF,UL 94V-0,COLOR BLACK  
 HAT: PBT+30%GF,UL94V-0  
 SHIELD: SUS430,T=0.20mm  
 TERMINALS: C2680,T=0.25mm  
 GROUND TERMINAL: C2680,T=0.20mm

2. PLATING:

TERMINALS:NICKEL 50 u" MIN UNDERPLATED  
 MATTE TIN 100 u" MIN ON SOLDER TAIL AREA  
 Au ON CONTACT AREA-SEE TABLE  
 GROUND TERMINAL:NICKEL 50 u" MIN UNDERPLATED  
 MATTE TIN 100 u" MIN ON SOLDER TAIL AREA  
 SHIELD:NICKEL 20 u" MIN AND TIN 50 u"MIN ON SOLDER TAIL AREA

3. WAVE SOLDER CAPABLE TO 265±5°C FOR 5S.

4. RoHS COMPLIANT.

5. MECHANICAL PERFORMANCE.

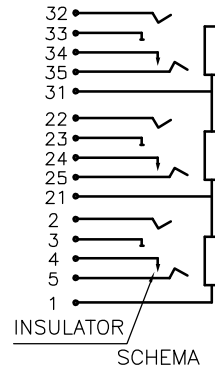
INSERTION FORCE:3.0kgf MAX..  
 WITHDRAWAL FORCE:0.3kgf MIN..  
 DURABILITY:1500 CYCLES.

6. ELECTRICAL PERFORMANCE.

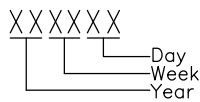
INSULATION RESISTANCE:1000MΩ MIN..  
 DIELECTRIC WITHSTANDING VOLTAGE:500VAC  
 CONTACT RESISTANCE:50mΩMAX.(INITIAL)  
 100mΩMAX.(AFTER LIFE TEST)

7. ENVIRONMENTAL CHARACTERISTICS.

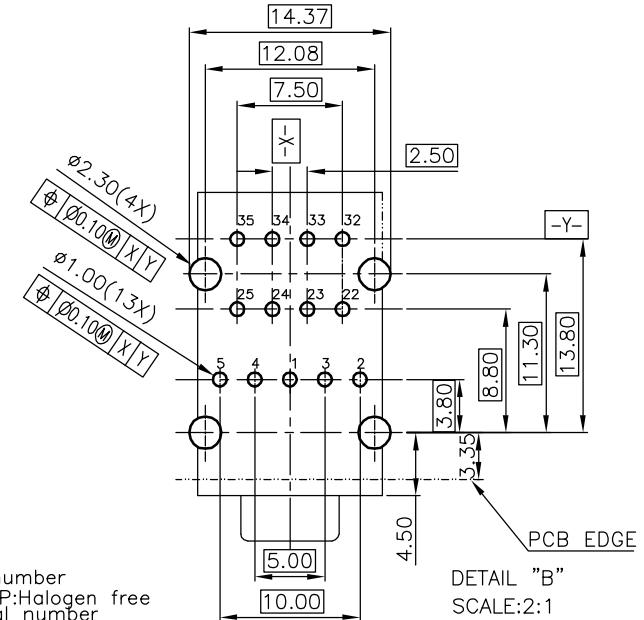
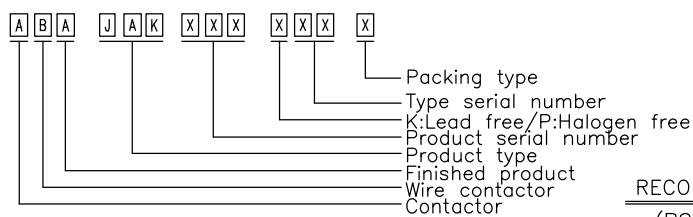
STORAGE TEMPERATURE RANGE:-40℃~+85℃  
 OPERATION TEMPERATURE:-25℃~+85℃



8. DATE CODE NOTE:



9. PRODUCT NUMBER NOTE:

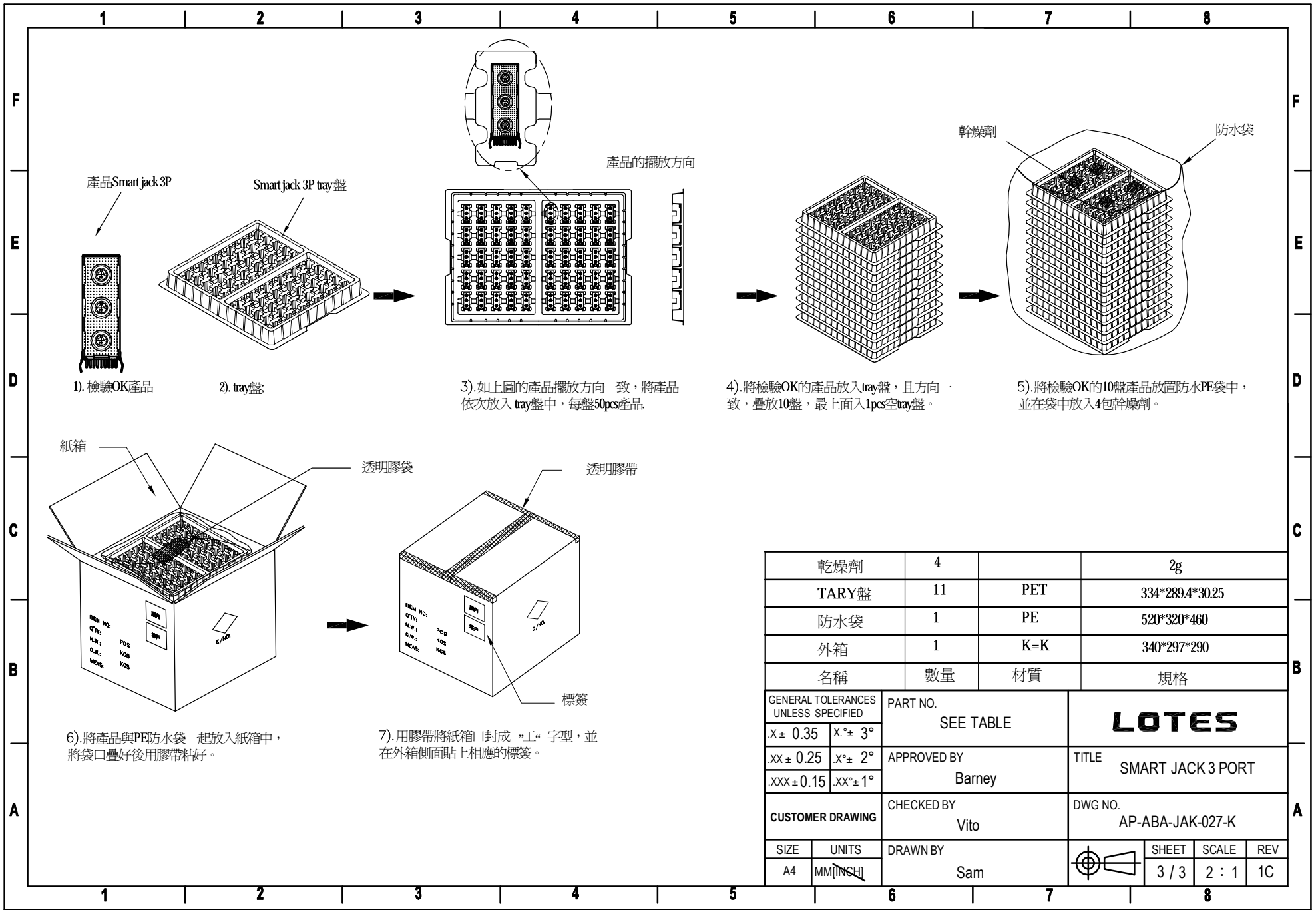


RECOMMENDED PCB LAYOUT(TOP VIEW)  
 (PCB THICKNESS:1.57±0.05mm.)  
 TOLERANCE:±0.05mm

TABLE

ABA-JAK-027-K26	GREEN 577C	BLACK	ORANGE157C	Au 1u"min
ABA-JAK-027-K23	BLACK	BLACK	BLACK	Au 1u"min
ABA-JAK-027-K11	RED 701C	GREEN 577C	BLUE 284C	Au 1u"min
PART NO.	PORT 1	PORT 2	PORT 3	CONTACT AREA

GENERAL TOLERANCES UNLESS SPECIFIED		PART NO. SEE TABLE	<b>LOTES</b>		
.X± 0.35	X°± 3°				
.XX± 0.25	.X°± 2°	APPROVED BY Barney	TITLE SMART JACK 3 PORT		
.XXX± 0.15	.XX°± 1°	CHECKED BY Vito	DWG NO. AP-ABA-JAK-027-K		
SIZE	UNITS	DRAWN BY Sam	SHEET 2 / 3	SCALE 1 : 1	REV 1C
A4	MM[INCH]				



乾燥劑	4		2g
TARY盤	11	PET	334*289.4*30.25
防水袋	1	PE	520*320*460
外箱	1	K=K	340*297*290
名稱	數量	材質	規格

GENERAL TOLERANCES UNLESS SPECIFIED		PART NO.		<b>LOTES</b>								
.X ± 0.35	X° ± 3°	SEE TABLE										
.XX ± 0.25	X° ± 2°	APPROVED BY		TITLE								
.XXX ± 0.15	.XX° ± 1°	Barney		SMART JACK 3 PORT								
CUSTOMER DRAWING		CHECKED BY		DWG NO.								
		Vito		AP-ABA-JAK-027-K								
SIZE	UNITS	DRAWN BY		<table border="1"> <tr> <td>SHEET</td> <td>SCALE</td> <td>REV</td> </tr> <tr> <td>3 / 3</td> <td>2 : 1</td> <td>1C</td> </tr> </table>			SHEET	SCALE	REV	3 / 3	2 : 1	1C
SHEET	SCALE	REV										
3 / 3	2 : 1	1C										
A4	MM [INCH]	Sam										

## X-ON Electronics

Largest Supplier of Electrical and Electronic Components

*Click to view similar products for [HDMI, Displayport & DVI Connectors](#) category:*

*Click to view products by [LOTES](#) manufacturer:*

Other Similar products are found below :

[30-1231](#) [30-528](#) [30-504](#) [30-519](#) [33DVIR-24S1B](#) [47648-2000](#) [2002-400](#) [TC142X](#) [769-103/021-000](#) [1932649-1](#) [CP30200GM3](#) [67881](#)  
[HBLBH](#) [HBLBI](#) [HAFBG](#) [HAFBH](#) [HAGBF](#) [HAGBG](#) [HAGBJ](#) [HBLBJ](#) [AABIE](#) [AABIF](#) [AABIG](#) [AABIH](#) [AABIJ](#) [AABIK](#) [AACBE](#)  
[AACBF](#) [AACBG](#) [ABIBF](#) [ABIBG](#) [ABIBH](#) [AACBH](#) [AACBI](#) [AACBJ](#) [AACBK](#) [AACBL](#) [AAIBD](#) [AAIBF](#) [AAIBI](#) [AANBJ](#) [AAQBG](#)  
[AAQBH](#) [AAQBI](#) [AARBG](#) [AARBH](#) [AARBI](#) [AAXBD](#) [ABAAF](#) [ABBBF](#)