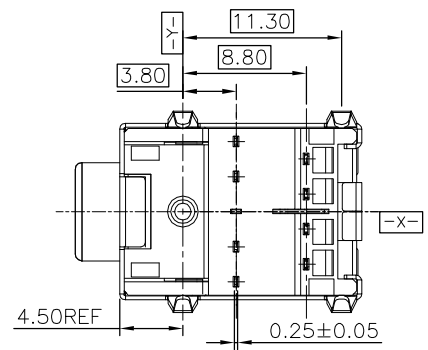
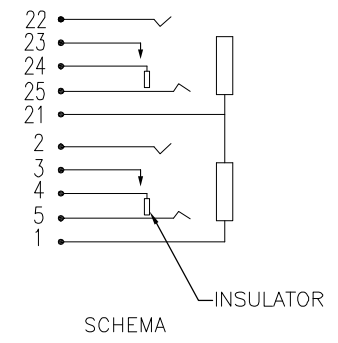
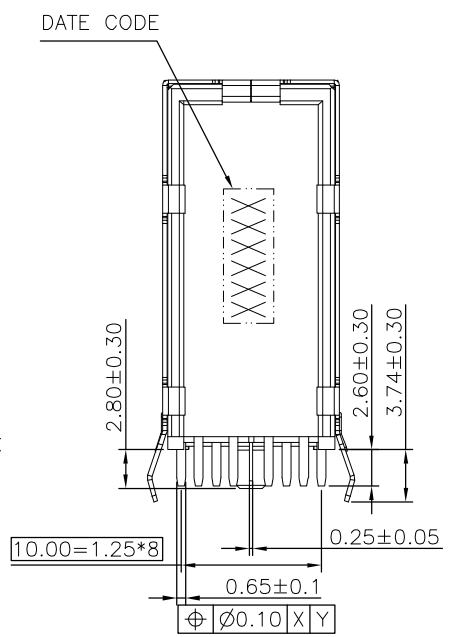
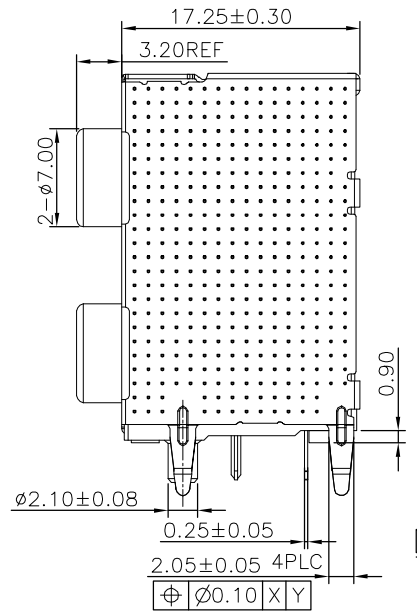
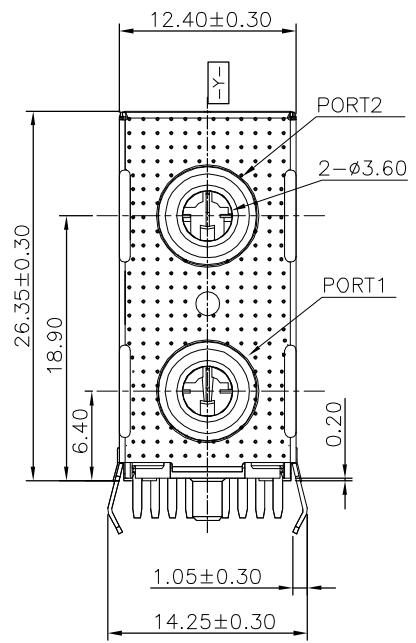


| REV. | ECR/N NO./DESCRIPTION | DATE | DRAWN | CHECKED | APPROVE |
|------|-----------------------|----------|---------|---------|---------|
| 1 | SN15072 | 07/29'15 | SAM | Vito | Barney |
| 1A | SN15*** | 10/15'15 | panglei | Vito | Barney |
| 1B | SN15*** | 12/16'15 | Vito | Vito | Gear |



| | | | | | |
|-------------------------------------|--------------------|-----------------------|---------------------------|----------------|-----------|
| GENERAL TOLERANCES UNLESS SPECIFIED | | PART NO. SEE TABLE | LOTES | | |
| .X ± 0.35 | .X° ± 3° | | | | |
| .XX ± 0.25 | .X° ± 2° | APPROVED BY Barney | TITLE ATX JACK 2 PORT | | |
| .XXX ± 0.15 | .XX° ± 1° | CHECKED BY Vito | DWG NO. AP-ABA-JAK-038 | | |
| CUSTOMER DRAWING | | DRAWN BY Sam | SHEET 1 / 3 | SCALE 1 : 1 | REV 1B |
| SIZE A4 | UNITS MM [INCH] | | | | |

NOTES:

1. MATERIALS:

HOUSING: PA66+30%GF,UL 94V-0,COLOR BLACK
 SPACER: PA46+30%GF,UL 94V-0,COLOR BLACK
 HAT: PBT+30%GF,UL94V-0
 SHIELD: SUS430,T=0.20mm
 TERMINALS: C2680,T=0.25mm
 GROUND TERMINAL: C2680,T=0.25mm

2. PLATING:

TERMINALS: NICKEL 50 u" MIN UNDERPLATED
 MATTE TIN 100 u" MIN ON SOLDER TAIL AREA
 Au ON CONTACT AREA-SEE TABLE
 GROUND TERMINALS: NICKEL 50 u" MIN UNDERPLATED
 MATTE TIN 100 u" MIN ON SOLDER TAIL AREA
 SHIELD: NICKEL 20 u" MIN AND TIN 50 u" MIN ON SOLDER TAIL AREA

3. WAVE SOLDER CAPABLE TO 245±5°C FOR 3±0.5S.

4. ROHS COMPLIANT

5. MECHANICAL PERFORMANCE.

INSERTION FORCE: 3.0kgf MAX..
 WITHDRAWAL FORCE: 0.3kgf MIN..

DURABILITY: 1500 CYCLES.

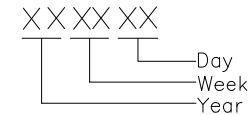
6. ELECTRICAL PERFORMANCE.

DIELECTRIC WITHSTANDING VOLTAGE: 500VAC
 INSULATION RESISTANCE: 1000MΩ MIN..
 CONTACT RESISTANCE: 50mΩ (INITIAL)
 100mΩ (AFTER LIFE TEST)

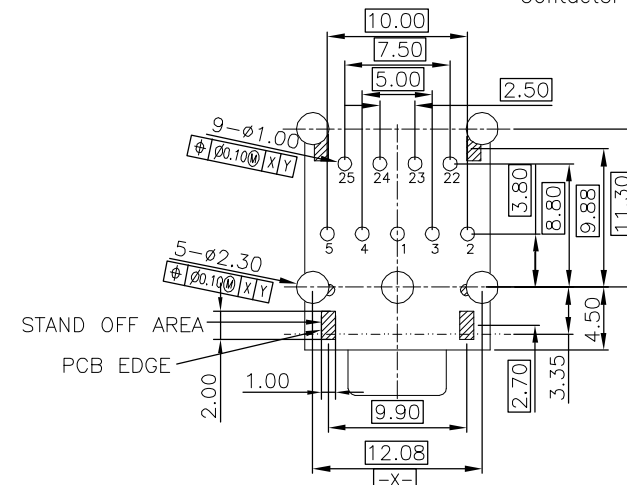
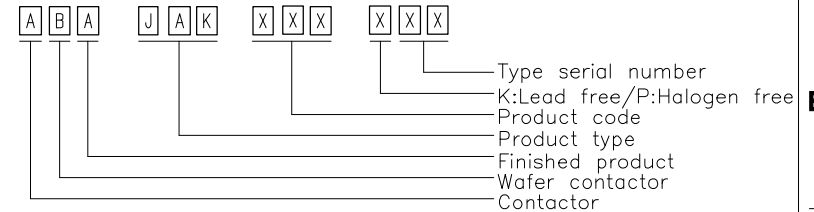
7. ENVIRONMENTAL CHARACTERISTICS.

STORAGE TEMPERATURE RANGE: -40°C ~ +85°C
 OPERATION TEMPERATURE: -25°C ~ +85°C

8. DATE CODE NOTE:



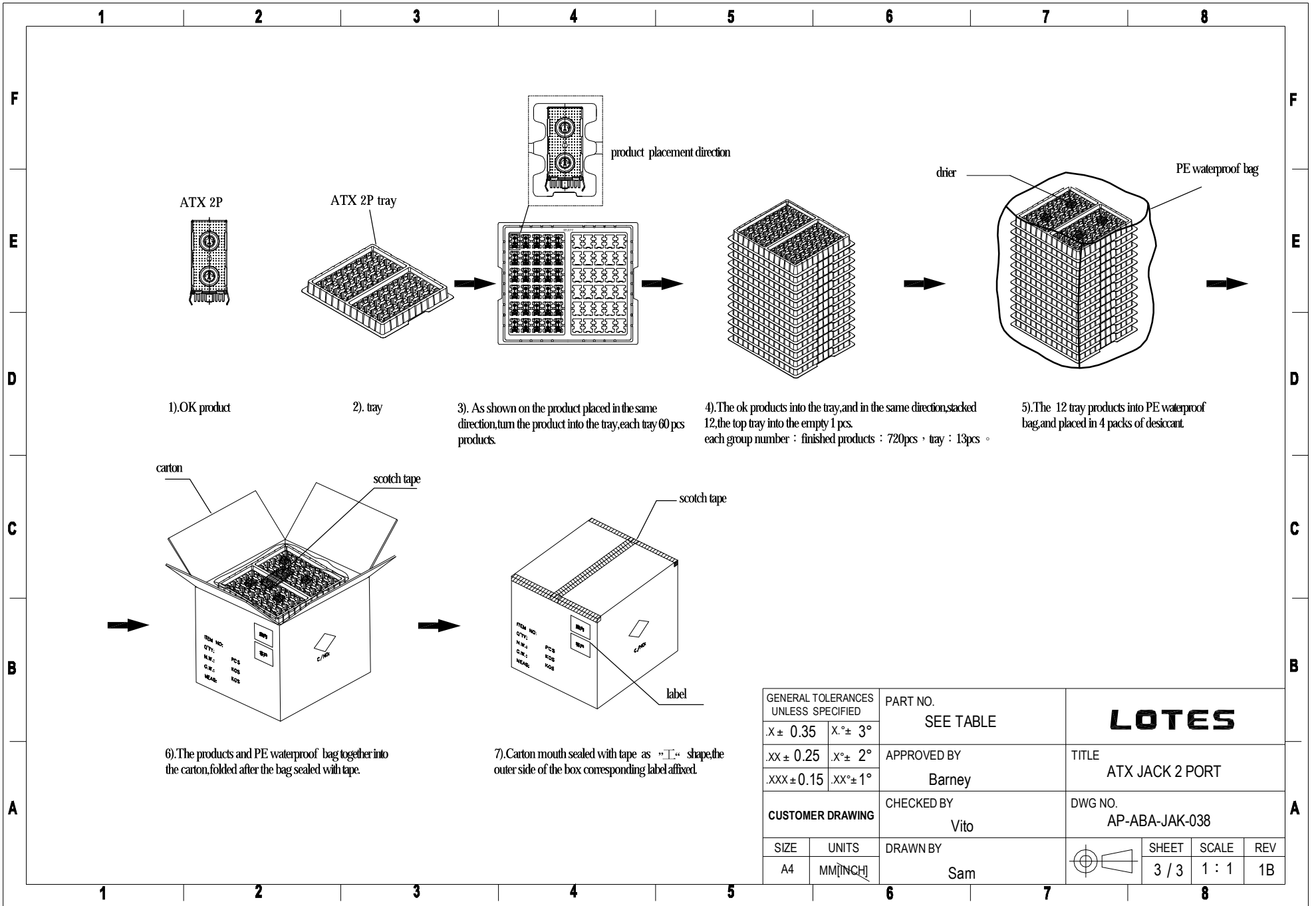
9. PRODUCT NUMBER NOTE:



TABLE

| | | | | |
|-----|-----------------|------------|-------------|--------------|
| 8 | ABA-JAK-038-K45 | GREEN 577C | RED 701C | Au 1u" min |
| 7 | ABA-JAK-038-K44 | RED 701C | GREEN 577C | Au 1u" min |
| 6 | ABA-JAK-038-K43 | GREEN 577C | BLUE 284C | Au 30u"min |
| 5 | ABA-JAK-038-K40 | RED 701C | GREEN 577C | Au 15u" min |
| 4 | ABA-JAK-038-K39 | GREEN 577C | BLUE 284C | Au 15u" min |
| 3 | ABA-JAK-038-K38 | GREEN 577C | BLUE 284C | Au 1u" min |
| 2 | ABA-JAK-038-K35 | BLACK | ORANGE 157C | Au 1u" min |
| 1 | ABA-JAK-038-K34 | GRAY 422C | RED 701C | Au 1u" min |
| NO. | OLD PART NO. | PORT 1 | PORT 2 | CONTACT AREA |

| | | | | | |
|-------------------------------------|--------------------|-----------------------|---------------------------|----------------|-----------|
| GENERAL TOLERANCES UNLESS SPECIFIED | | PART NO. SEE TABLE | LOTES | | |
| .X ± 0.35 | X.° ± 3° | | | | |
| .XX ± 0.25 | .X.° ± 2° | APPROVED BY Barney | TITLE ATX JACK 2 PORT | | |
| .XXX ± 0.15 | .XX.° ± 1° | CHECKED BY Vito | DWG NO. AP-ABA-JAK-038 | | |
| CUSTOMER DRAWING | | DRAWN BY Sam | SHEET 2 / 3 | SCALE 1 : 1 | REV 1B |
| SIZE A4 | UNITS MM [INCH] | | | | |



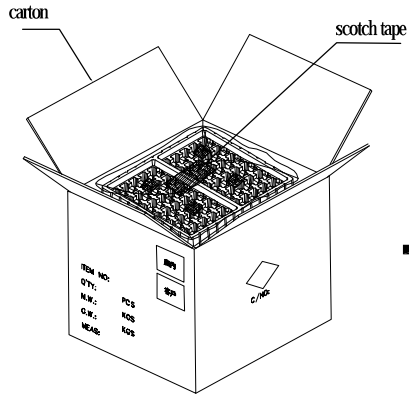
1).OK product

2). tray

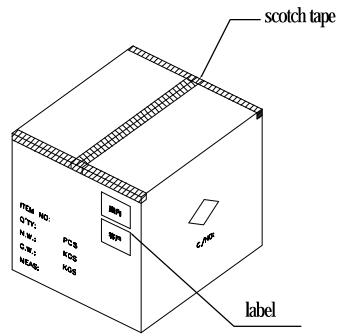
3). As shown on the product placed in the same direction, turn the product into the tray, each tray 60 pcs products.

4). The ok products into the tray, and in the same direction, stacked 12, the top tray into the empty 1 pcs.
each group number : finished products : 720pcs · tray : 13pcs ◦

5). The 12 tray products into PE waterproof bag, and placed in 4 packs of desiccant.



6). The products and PE waterproof bag together into the carton, folded after the bag sealed with tape.



7). Carton mouth sealed with tape as "工" shape, the outer side of the box corresponding label affixed.

| | | | | | |
|--|--------------------|-----------------------|---------------------------|----------------|-----------|
| GENERAL TOLERANCES UNLESS SPECIFIED | | PART NO. SEE TABLE | LOTES | | |
| .X ± 0.35 | X.° ± 3° | | | | |
| .XX ± 0.25 | .X.° ± 2° | APPROVED BY Barney | TITLE ATX JACK 2 PORT | | |
| .XXX ± 0.15 | .XX.° ± 1° | CHECKED BY Vito | DWG NO. AP-ABA-JAK-038 | | |
| CUSTOMER DRAWING | | DRAWN BY Sam | SHEET 3 / 3 | SCALE 1 : 1 | REV 1B |
| SIZE A4 | UNITS MM [INCH] | | | | |

X-ON Electronics

Largest Supplier of Electrical and Electronic Components

Click to view similar products for [HDMI, Displayport & DVI Connectors](#) category:

Click to view products by [LOTES](#) manufacturer:

Other Similar products are found below :

[30-1231](#) [30-528](#) [30-504](#) [30-519](#) [33DVIR-24S1B](#) [47648-2000](#) [2002-400](#) [TC142X](#) [769-103/021-000](#) [1932649-1](#) [CP30200GM3](#) [67881](#)
[HAFBF](#) [HBLBI](#) [HAFBG](#) [HAGBF](#) [HAGBG](#) [HAGBI](#) [HBLBJ](#) [AABIE](#) [AABIF](#) [AABIH](#) [AABII](#) [AABIJ](#) [AABIK](#) [AACBG](#) [ABIBF](#) [ABIBG](#)
[ABIBH](#) [ACEB0](#) [AACBK](#) [AACBL](#) [AAIBF](#) [AAIBI](#) [AANBF](#) [AANBG](#) [AANBI](#) [AANBJ](#) [AAQBH](#) [AAQBI](#) [AARBG](#) [AAXBD](#) [ABAAF](#)
[ABBBF](#) [AIKB0](#) [AIPB0](#) [AIRB0](#) [CC-HDMIL-1.8M](#) [HBLBG](#) [49883](#)