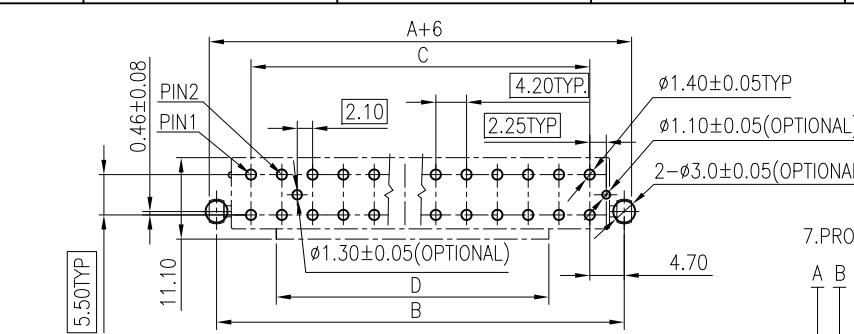
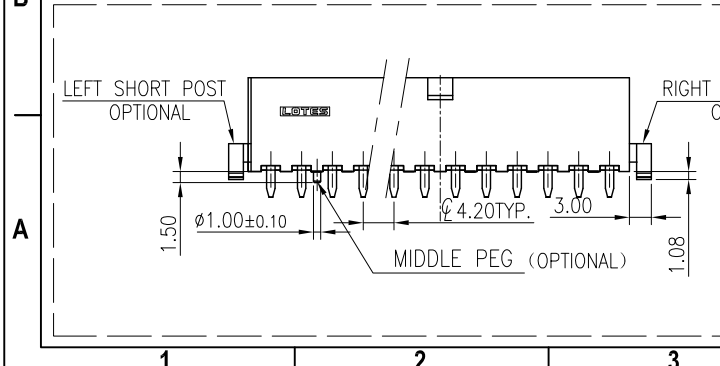
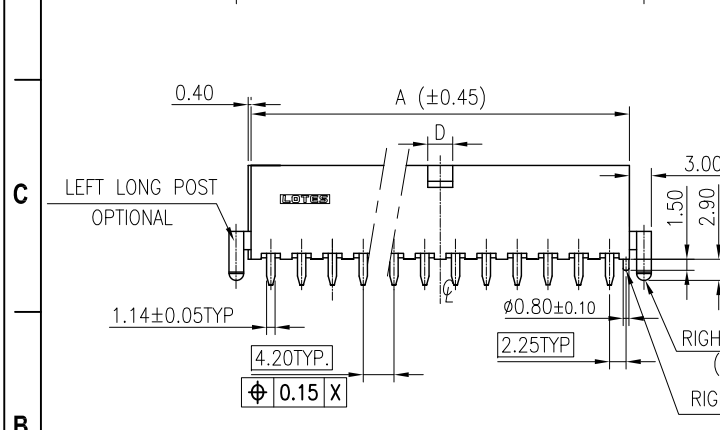
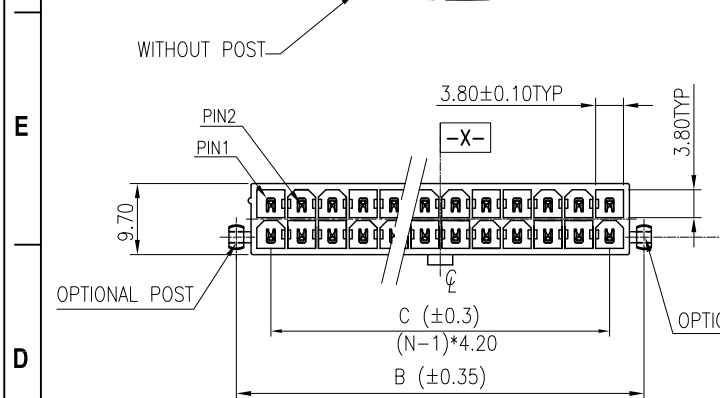
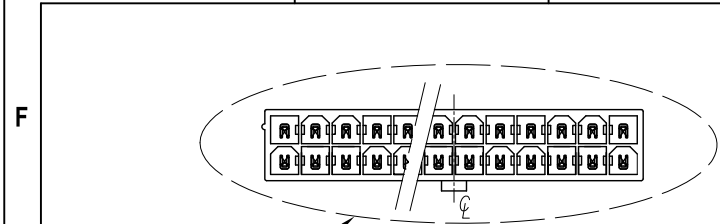
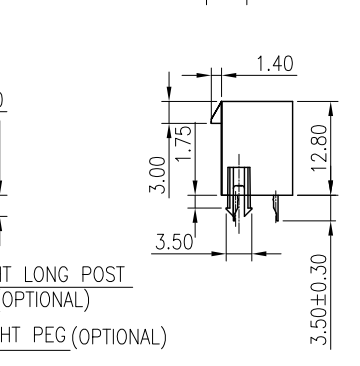
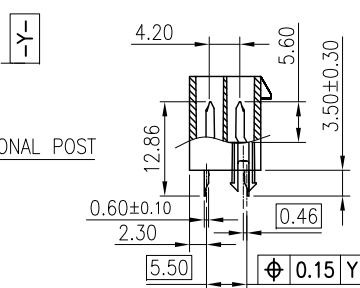


REV.	ECN NO./DESCRIPTION	DATE
15	N140453	08/14'14
16	N150670	01/12'16
17	N180153	04/04'18



RECOMMENDED PC BOARD LAYOUT(TOP LAYER)  
PCB LAYOUT GENERAL TOLERANCES:1.6±0.05

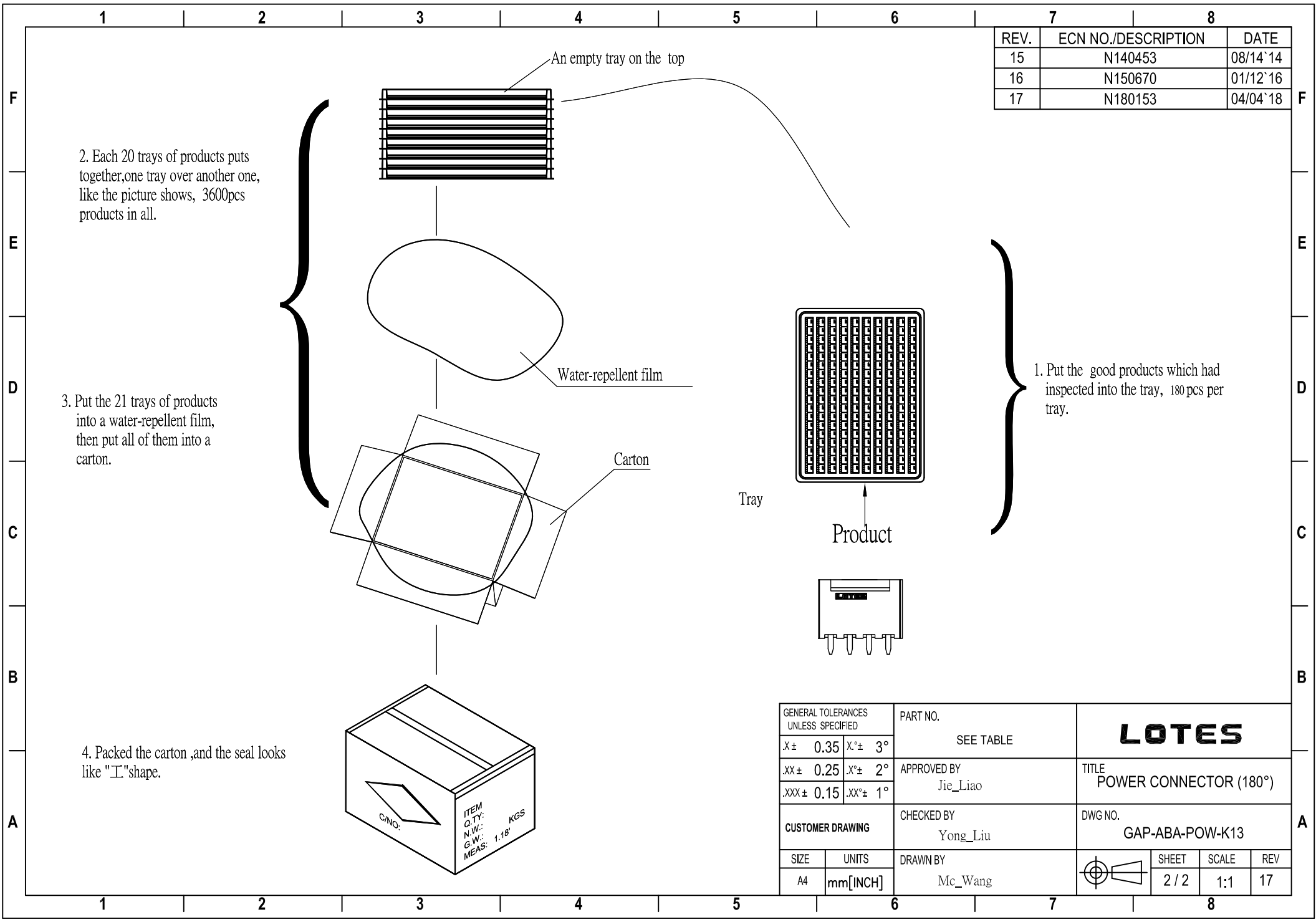


- NOTES:
- MATERIAL:
    - HOUSING: SEE TABLE/COLOR:SEE TABLE
    - CONTACT:BRASS C2680
  - PLATING SPECIFICATION:
    - 50μ"MIN NICKEL UNDER PLATING  
100μ"MIN MATTE TIN PLATING OVER ALL
    - 50μ"MIN NICKEL UNDER PLATING  
1~3μ" GOLD PLATING OVER ALL
    - 50μ"MIN NICKEL UNDER PLATED  
15μ" GOLD PLATING ON CONTACT AREA  
100μ"MIN MATTE TIN PLATING ON SOLDEAR AREA
  - ELECTRICAL CHARACTERISTICS
    - CONTACT CURRENT RATING: SEE SPEC
    - CONTACT RESISTANCE:20mΩMAX
    - DIELECTRIC WITHSTANDING VOLTAGE:500VAC
    - INSULATION RESISTANCE:1000MΩMIN
    - TEMPERATURE RATING:-40°c+105°c
  - MECHANICAL CHARACTERISTICS
    - TERMINAL RETENTION FORCE :1.0kgf/pin MIN
    - MATING FORCE:0.7kgf(MAX)/pin.
    - UNMATING FORCE:0.2kgf(MIN)/pin.
  - WAVE SOLDERING:
    - THE CONNECTOR SHALL BE MOUNTED ON THE PCB ,THE TEMPERATURE OF THE SOLDER SHALL BE 260±5°c AND IMMERSION DURATION :3~5 SECONDS.
  - RoHS OR HF COMPLIANT: SEE TABLE

7.PRODUCT NUMBER NOTE:  
A B A-P O W-X X X-X X X X  
TYPE SERIAL NUMBER  
K:RoHS COMPLIANT  
P:HF COMPLIANT  
PRODUCT SERIAL NUMBER  
PRODUCT TYPE  
FINISHED PRODUCT  
WIRE TYPE  
CONNECTOR

24	51.6	55.6	46.20
22	47.4	51.4	42.00
20	43.2	47.2	37.80
18	39.0	43.0	33.60
16	34.8	38.8	29.40
14	30.6	34.6	25.20
12	26.4	30.4	21.00
10	22.2	26.2	16.80
8	18.0	22.0	12.60
6	13.8	17.8	8.40
4	9.6	13.6	4.20
CIRCUIT SIZE	DIM: A	DIM: B	DIM: C

GENERAL TOLERANCES UNLESS SPECIFIED		PART NO. SEE TABLE	<b>LOTES</b>		
X± 0.35	X°± 3°				
.XX± 0.25	.X°± 2°				
.XXX± 0.15	.XX°± 1°				
CUSTOMER DRAWING		CHECKED BY Yong_Liu	DWG NO. GAP-ABA-POW-K13		
SIZE	UNITS				
A4	mm[INCH]				



REV.	ECN NO./DESCRIPTION	DATE
15	N140453	08/14'14
16	N150670	01/12'16
17	N180153	04/04'18

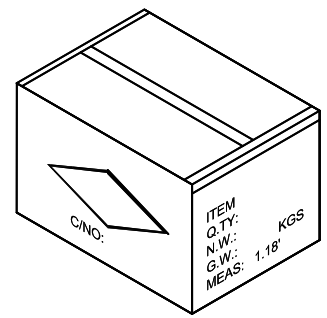
2. Each 20 trays of products puts together, one tray over another one, like the picture shows, 3600pcs products in all.

3. Put the 21 trays of products into a water-repellent film, then put all of them into a carton.

4. Packed the carton, and the seal looks like "E" shape.

1. Put the good products which had inspected into the tray, 180 pcs per tray.

GENERAL TOLERANCES UNLESS SPECIFIED		PART NO.	<b>LOTES</b>		
X± 0.35	X°± 3°	SEE TABLE			
.XX± 0.25	.X°± 2°	APPROVED BY	TITLE POWER CONNECTOR (180°)		
.XXX± 0.15	.XX°± 1°	Jie_Liao			
CUSTOMER DRAWING		CHECKED BY	DWG NO. GAP-ABA-POW-K13		
		Yong_Liu			
SIZE	UNITS	DRAWN BY	SHEET	SCALE	REV
A4	mm[INCH]	Mc_Wang			



	1	2	3	4	5	6	7	8	
F									F
E									E
D									D
C									C
B									B
A									A
	1	2	3	4	5	6	7	8	

PART NO.	2*N PIN	DIM:D	PLATING	POST OPTION	PEG	MATERIAL HOUSING	COLOR	FLAME CLASS	RoHS OR HF
ABA-POW-005-K36	2*4	12.9	SEE NOTES 2.1	NONE	NONE	PA46	NATURAL	UL94-V0	RoHS

## X-ON Electronics

Largest Supplier of Electrical and Electronic Components

*Click to view similar products for [DC Power Connectors](#) category:*

*Click to view products by [LOTES](#) manufacturer:*

Other Similar products are found below :

[B04P-VL-VN-1.8](#) [1600206-1](#) [163-0308-EX](#) [163-4012-EX](#) [163-4117-EX](#) [163-7421](#) [163-MJ22-EX](#) [171-0721-EX](#) [KLDX-SMT-0202-BPTR](#)  
[163-0179-EX](#) [163-1000-EX](#) [163-4007-EX](#) [163-4015-EX](#) [171-0722-E](#) [171-7391](#) [K596](#) [KLD-0201-BC](#) [KPPX-D](#) [4C6831AX](#) [TS3PNJ](#)  
[E16550-0008](#) [VLP-08V-1](#) [DC PLUG-P1M-P1MR](#) [XT90IPW22-M](#) [09758](#) [09442](#) [AS120-M](#) [09759](#) [09760](#) [CP30240](#) [TAMIYA-M](#) [TAMIYA-](#)  
[MT1](#) [TAMIYA-MT2](#) [4840.1200](#) [4840.2202](#) [C5080HI-04P-18 + C5080HI-C](#) [JC-138](#) [JC-210](#) [JPO-25 \(FC6814\)](#) [JYO-26 \(FC6811\)](#) [JYO-29](#)  
[\(FC68102\)](#) [KLB 3](#) [KLBM 3](#) [KLBPS 3](#) [KLS 10 SCHWARZ](#) [KLS 40 SCHWARZ](#) [KPJXHT-4S](#) [DC-10A FC68148](#) [DC-10B \(FC68149\)](#)  
[WKLS 2](#) [WKLS 40](#)