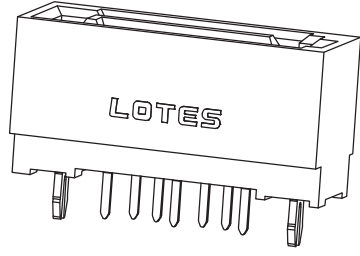
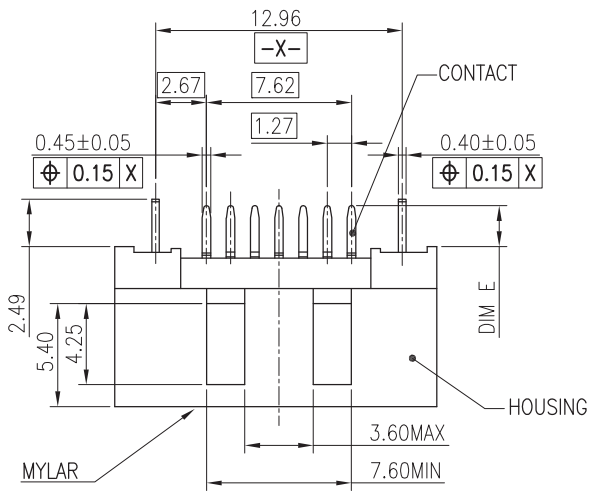


REV.	ECN NO./DESCRIPTION	DATE
7	N120176	05/29'12
8	N140356	06/19'14
9	N160333	08/03'16

F



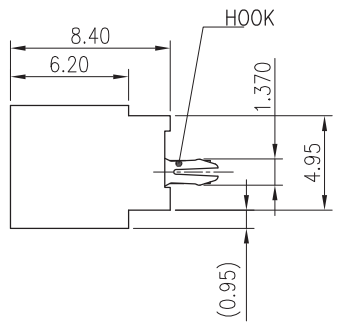
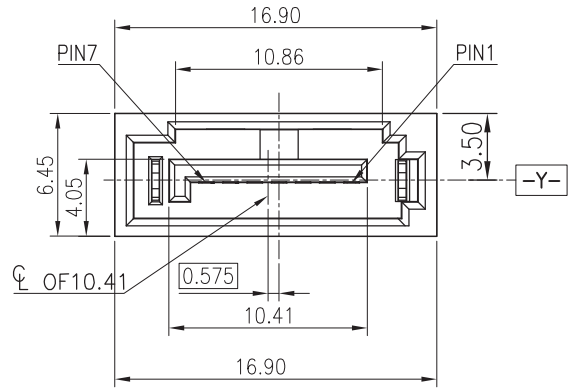
- NOTES:
- MATERIAL:
 - HOUSING: SEE TABLE,COLOR:SEE TABLE.
 - CONTACT: BRASS C2680
 - HOOK: BRASS C2680
 - FINISHED:
 - CONTACTS:
 - 50u"Min NI UNDER PLATED OVER ALL. GOLD PLATING ON CONTACT AREA SEE TABLE. MATTE SN 100u"Min ON SOLDER AREA.
 - HOOK:
 - 50u"Min NI UNDER PLATED OVER ALL. MATTE SN 100u"Min ON SOLDER AREA.
 - MECHANICAL PERFORMANCE:
 - INSERTION FORCE: 45N Max.
 - REMOVAL FORCE: 10N Min.
 - DURABILITY: 50 CYCLES.
 - ELECTRICAL PERFORMANCE
 - INSULATION RESISTANCE;1000MΩ Min.
 - DIELECTRIC WITHSTANDING VOLTAGE:AC 500V FOR 1 MINUTE.
 - LOW LEVEL CONTACT RESISTANCE:
 - INITIAL 30 mΩ Max.
 - FINAL 45 mΩ Max.
 - WAVE SOLDER:

THE CONNECTOR SHALL BE MOUNTED ON THE PCB, THE TEMPERATURE OF THE SOLDER SHALL BE 260±5° C AND IMMERSION DURATION:3~5 SECONDS.
 - RoHS COMPLIANT&HF COMPLIANT
 - PRODUCT NUMBER NOTE:

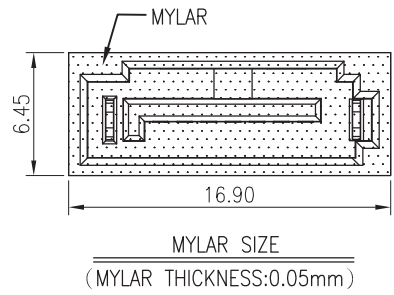
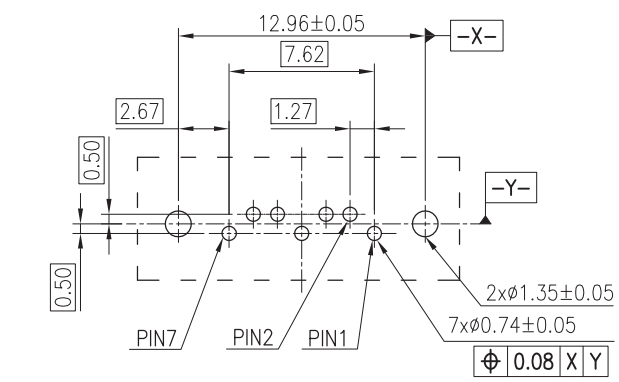
ABA-SAT-010-XXX

 - TYPE SERIAL NUMBER
 - K/T/F:RoHS COMPLIANT;P/W:HF COMPLIANT
 - PRODUCT SERIAL NUMBER
 - PRODUCT TYPE
 - FINISHED PRODUCT
 - SYSTEM TO DEVICE CONNECTOR
 - CONNECTOR

E



D



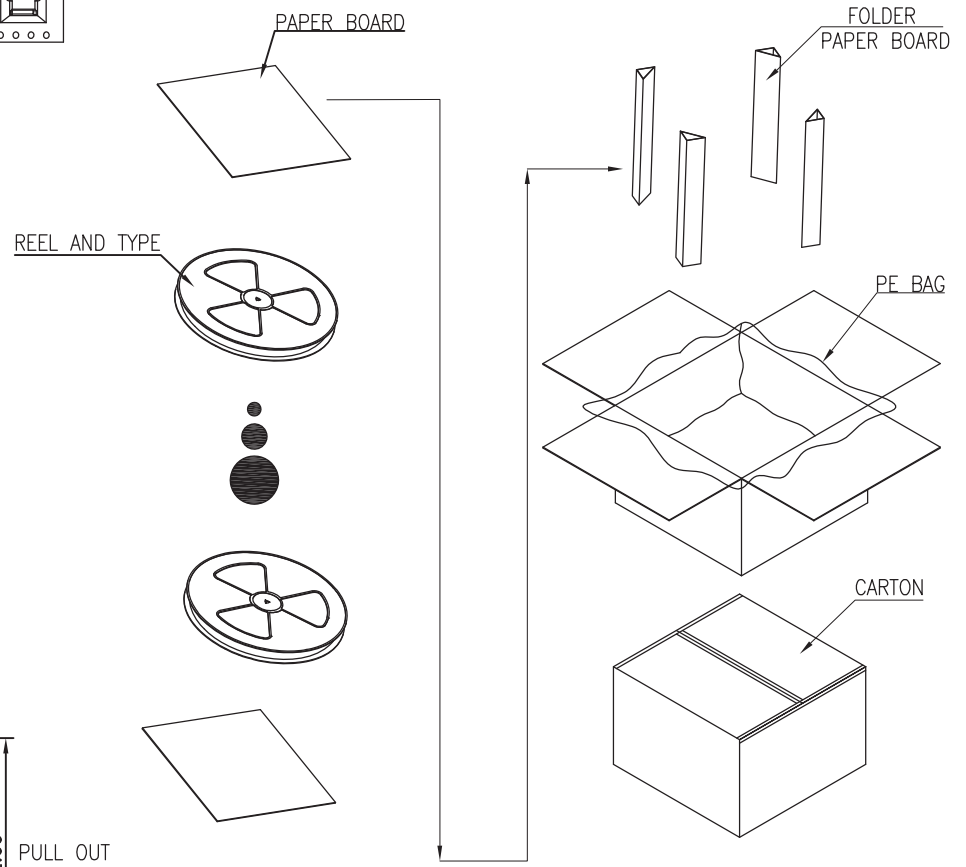
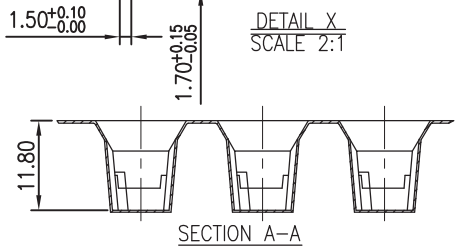
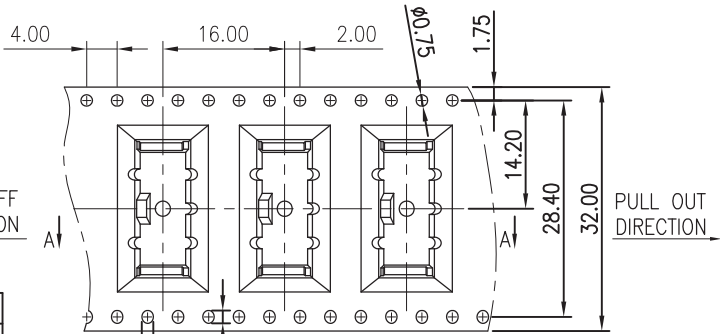
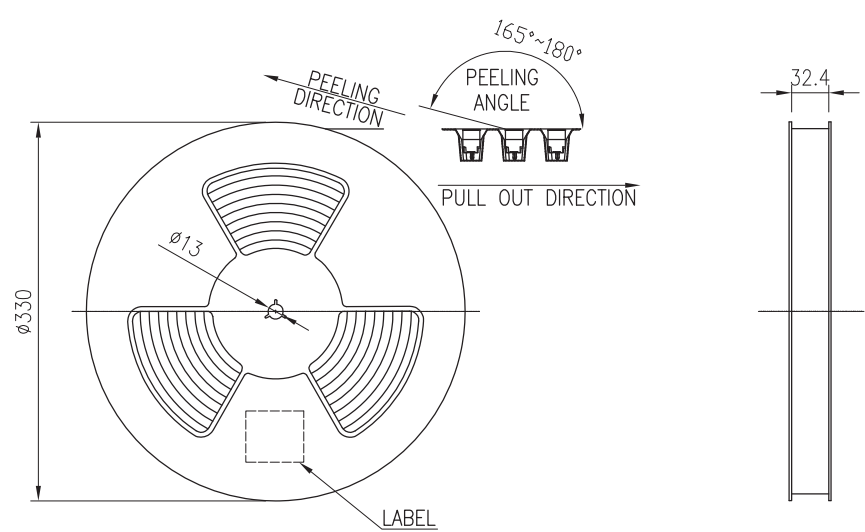
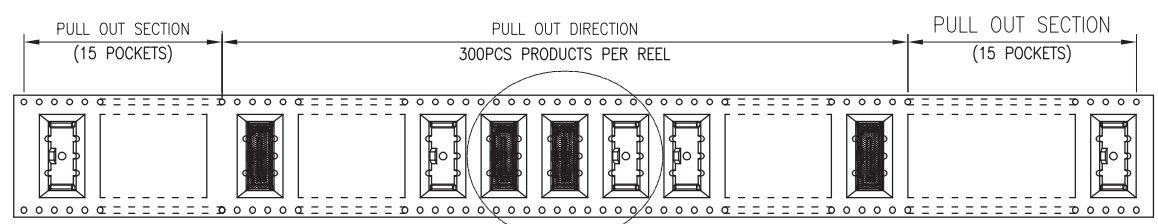
B

A

GENERAL TOLERANCES UNLESS SPECIFIED		PART NO.	LOTES			
.X± 0.35	X°± 3°	SEE TABLE				
.XX± 0.25	.X°± 2°	APPROVED BY	TITLE			
.XXX± 0.15	.XX°± 1°	Liao_Jie	SATA 7PIN CONN. WITH SHROUD,T/H,VERTICAL			
CUSTOMER DRAWING		CHECKED BY	DWG NO.			
		Liu_yong	GAP-ABA-SAT-010			
SIZE	UNITS	DRAWN BY		SHEET	SCALE	REV
A4	mm[INCH]	Li_deming		1 / 3	2.5:1	9

REV.	ECN NO./DESCRIPTION	DATE
7	N120176	05/29'12
8	N140356	06/19'14
9	N160333	08/03'16

F
E
D
C
B
A



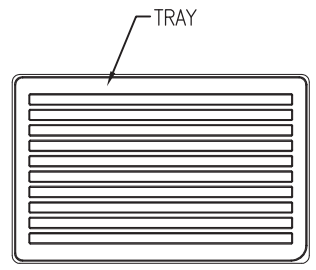
SINGLE SATA R/A REEL PACKAGE LIST		
DESCRIPTION	PART NUMBER	QTY
SINGLE SATA R/A	SEE TABLE	2400PCS
CARTON	G09-1-35035-K01	1PCS
PE BAG	G09-6-50002-P03	1PCS
BUBBLE PAD	G09-8-25005-K01	10PCS
COVER TYPE	G09-5-30007-K02	43m
REEL AND TYPE	G09-4-30017-K01	8PCS
PAPER BOARD	G09-3-30002-K01	2PCS
FOLDER PAPER BOARD	G09-3-35014-K01	4PCS

GENERAL TOLERANCES UNLESS SPECIFIED		PART NO.	LOTES			
.X ± 0.35	X.° ± 3°	SEE TABLE				
.XX ± 0.25	.X.° ± 2°	APPROVED BY Liao_jie	TITLE SATA 7PIN CONN. WITH SHROUD,T/H,VERTICAL			
.XXX ± 0.15	.XX.° ± 1°	CHECKED BY Liu_yong	DWG NO. GAP-ABA-SAT-010			
CUSTOMER DRAWING		DRAWN BY Li_deming		SHEET	SCALE	REV
A4	mm[INCH]			2 / 3	2:1	9

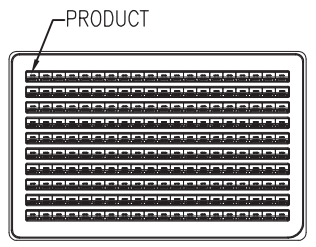
1 2 3 4 5 6 7 8

F
E
D
C
B
A

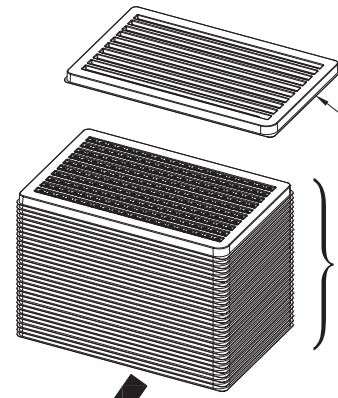
REV.	ECN NO./DESCRIPTION	DATE
7	N120176	05/29'12
8	N140356	06/19'14
9	N160333	08/03'16



TRAY



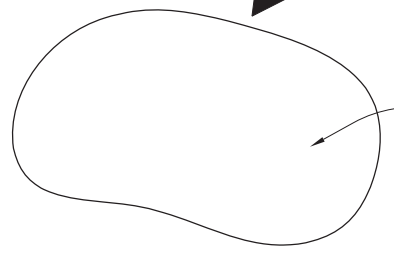
PRODUCT



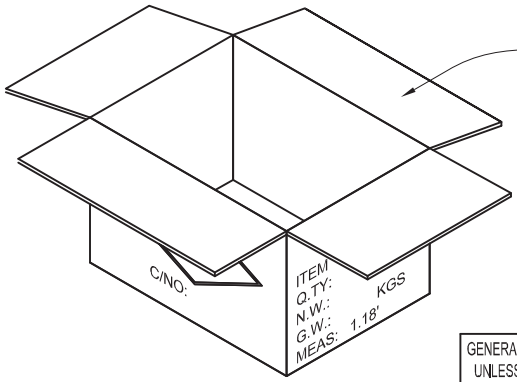
AN EMPTY TRAY ON THE TOP

2.EACH 30 TRAYS OF PRODUCTS PUTS TOGETHER,ONE TRAY OVER ANOTHER ONE, LIKE THE PICTURE SHOWS,6000PCS PRODUCTS IN ALL.

1. PUT THE GOOD PRODUCTS WHICH HAD INSPECTED INTO THE TRAY, 200 PCS PER TRAY.

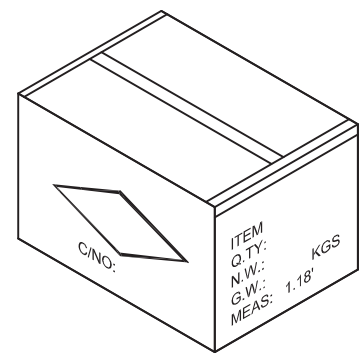


PE BAG



CARTON

3.PUT THE 30 TRAYS OF PRODUCTS INTO A WATER-REPELLENT FILM, THEN PUT ALL OF THEM INTO A CARTON.



4.PACKED THE CARTON ,AND THE SEAL LOOKS LIKE "工"SHAPE.

GENERAL TOLERANCES UNLESS SPECIFIED		PART NO.	LOTES			
.X ± 0.35	X.° ± 3°	SEE TABLE				
.XX ± 0.25	.X.° ± 2°	APPROVED BY	TITLE			
.XXX ± 0.15	.XX.° ± 1°	Liao_jie	SATA 7PIN CONN. WITH SHROUD,T/H,VERTICAL			
CUSTOMER DRAWING		CHECKED BY	DWG NO.			
		Liu_yong	GAP-ABA-SAT-010			
SIZE	UNITS	DRAWN BY		SHEET	SCALE	REV
A4	mm[INCH]	Li_deming		3 / 3	2:1	9

	1	2	3	4	5	6	7	8
F	ABA-SAT-010-P55	PA66+30%G.F_BLUE(2905C) GOLD PLATING 15u" ON CONTACT AREA;HF		DIM E=2.05	TRAY/WITHOUT MYLAR	UL94V-0		
	ABA-SAT-010-P54	LCP_BLACK,GOLD GLOD FLASH ON CONTACT AREA;HF						
	ABA-SAT-010-P10	PA66+30%G.F_BLUE(287C),GOLD PLANTING 1u" ON CONTACT AREA;HF						
	ABA-SAT-010-P06	PA66+30%G.F_WHITE,GOLD PLATING 15u" ON CONTACT AREA;HF						
	ABA-SAT-010-P04	PA66+30%G.F_PROCESS BLUE C,GOLD PLATING 15u"ON CONTACT AREA;HF						
	ABA-SAT-010-P02	PA66+30%G.F_BLACK,GOLD PLATING 15u" ON CONTACT AREA;HF						
	ABA-SAT-010-K86	PA66+30%G.F_BLUE(297C),GOLD PLANTING 1u" ON CONTACT AREA						
	ABA-SAT-010-K70	PA66+30%G.F_ORANGE(159C),GOLD PLANTING 15u" ON CONTACT AREA						
	ABA-SAT-010-K69	PA66+30%G.F_RED(187C),GOLD PLANTING 1u" ON CONTACT AREA						
	ABA-SAT-010-K68	PA66+30%G.F_BLACK,GOLD PLANTING 1u" ON CONTACT AREA						
E	ABA-SAT-010-K64	PA66+30%G.F_PROCESS BLUE C,GOLD PLATING 15u" ON CONTACT AREA						
	ABA-SAT-010-K63	PA66+30%G.F_BLACK,GOLD PLATING 15u" ON CONTACT AREA						
	ABA-SAT-010-K52	PA66+30%G.F_RED(2017C),GOLD PLATING 1u" ON CONTACT AREA						
	ABA-SAT-010-K48	PA66+30%G.F_GREEN(353U),GOLD PLATING 15u" ON CONTACT AREA						
	ABA-SAT-010-K47	PA66+30%G.F_ORANGE(157U),GOLD PLATING 15u" ON CONTACT AREA						
	ABA-SAT-010-K46	PA46_BLACK,GOLD PLANTING 1u" ON CONTACT AREA						
	ABA-SAT-010-K45	PA66+30%G.F_YELLOW(123U),GOLD PLANTING 1u" ON CONTACT AREA						
	ABA-SAT-010-K44	PA66+30%G.F_ORANGE(151C),GOLD PLANTING 1u" ON CONTACT AREA						
	ABA-SAT-010-K43	PBT_RED(1795C),GOLD PLANTING 1u" ON CONTACT AREA						
	ABA-SAT-010-K42	PBT_ORANGE(151C),GOLD PLANTING 1u" ON CONTACT AREA						
D	ABA-SAT-010-K40	PA46_YELLOW(810C),GOLD PLANTING 1u" ON CONTACT AREA						
	ABA-SAT-010-K36	PA66+30%G.F_BLUE(293C),GOLD PLATING 15u" ON CONTACT AREA						
	ABA-SAT-010-K35	PA66+30%G.F_BLUE(284C),GOLD PLATING 15u" ON CONTACT AREA						
	ABA-SAT-010-K31	PA66+30%G.F_RED(1795C),GOLD PLATING 15u" ON CONTACT AREA						
	ABA-SAT-010-K29	PA66+30%G.F_RED(032C),GOLD PLANTING 1u" ON CONTACT AREA						
	ABA-SAT-010-K28	PA66+30%G.F_ORANGE(804C2X),GOLD PLATING 30u" ON CONTACT AREA						
	ABA-SAT-010-K27	PA66+30%G.F_GREEN(382U),GOLD PLATING 1u" ON CONTACT AREA						
	ABA-SAT-010-K26	PA66+30%G.F_ORANGE(804C2X),GOLD PLATING 30u" ON CONTACT AREA						
	ABA-SAT-010-K25	PA66+30%G.F_ORANGE(1495C),GOLD PLATING 1u" ON CONTACT AREA						
	ABA-SAT-010-K24	PA66+30%G.F_YELLOW(810C),GOLD PLATING 1u" ON CONTACT AREA						
C	ABA-SAT-010-K23	PA66+30%G.F_YELLOW(810C),GOLD PLATING 15u" ON CONTACT AREA						
	ABA-SAT-010-K22	PA66+30%G.F_PROCESS BLUE C,GOLD PLATING 30u" ON CONTACT AREA						
	ABA-SAT-010-K21	PA66+30%G.F_BLACK,GOLD PLATING 30u" ON CONTACT AREA						
	ABA-SAT-010-K20	PA66+30%G.F_YELLOW(122U),GOLD PLATING 15u" ON CONTACT AREA						
	ABA-SAT-010-K19	PA66+30%G.F_YELLOW(381C),GOLD PLANTING 1u" ON CONTACT AREA						
	ABA-SAT-010-K18	PA66+30%G.F_GREEN(353U),GOLD PLANTING 1u" ON CONTACT AREA						
	ABA-SAT-010-K17	PA66+30%G.F_YELLOW(122U),GOLD PLANTING 1u" ON CONTACT AREA						
	ABA-SAT-010-K16	PA66+30%G.F_YELLOW(803C),GOLD PLATING 15u" ON CONTACT AREA						
	ABA-SAT-010-K15	PA66+30%G.F_ORANGE(804C2X),GOLD PLATING 15u" ON CONTACT AREA						
	ABA-SAT-010-K14	PA66+30%G.F_YELLOW(803C),GOLD PLANTING 1u" ON CONTACT AREA						
B	ABA-SAT-010-K13	PA66+30%G.F_RED(1795C),GOLD PLANTING 1u" ON CONTACT AREA						
	ABA-SAT-010-K12	PA66+30%G.F_ORANGE(804C2X),GOLD PLANTING 1u" ON CONTACT AREA						
	ABA-SAT-010-K10	PA66+30%G.F_BLUE(287C),GOLD PLANTING 1u" ON CONTACT AREA						
	ABA-SAT-010-K08	PA66+30%G.F_BLUE(PROCESS BLUE C),GOLD PLANTING 1u" ON CONTACT AREA						
	ABA-SAT-010-K07	PA66+30%G.F_BLACK,GOLD PLANTING 1u" ON CONTACT AREA						
	ABA-SAT-010-K06	PA66+30%G.F_WHITE,GOLD PLATING 15u" ON CONTACT AREA						
	ABA-SAT-010-K05	PA66+30%G.F_WHITE,GOLD PLANTING 1u" ON CONTACT AREA						
	ABA-SAT-010-K04	PA66+30%G.F_PROCESS BLUE C,GOLD PLATING 15u" ON CONTACT AREA						
	ABA-SAT-010-K03	PA66+30%G.F_PROCESS BLUE C,GOLD PLANTING 1u" ON CONTACT AREA						
	ABA-SAT-010-K02	PA66+30%G.F_BLACK,GOLD PLATING 15u" ON CONTACT AREA						
A	ABA-SAT-010-K01	PA66+30%G.F_BLACK,GOLD PLANTING 1u" ON CONTACT AREA						
	PRODUCT P/N	DESCRIPTION		REMARK	PACKING	FLAME CLASS		

X-ON Electronics

Largest Supplier of Electrical and Electronic Components

Click to view similar products for [Standard Card Edge Connectors](#) category:

Click to view products by [LOTES](#) manufacturer:

Other Similar products are found below :

[CR7E-30DB-3.96E\(72\)](#) [6565204-6](#) [1437274-4](#) [EBT15622B2X](#) [1-582587-1](#) [284-0102-12100](#) [286-0052-12101A](#) [306022901000000](#) [307-012-502-202](#) [307-056-520-300](#) [A6D22DS29C2](#) [1926088-2](#) [287-0032-12101](#) [345-060-559-303](#) [392-008-559-201](#) [534671-1](#) [341-240-317](#) [345-044-500-300](#) [346-240-318](#) [387-012-523-300](#) [395-100-524-300](#) [09-07-2032](#) [10035388-802LF](#) [10115859-011LF](#) [10122859-009LF](#) [101269333204245CLF](#) [530555-1](#) [66925-516LF](#) [5145409-2](#) [73726-0005](#) [66308-1](#) [5036A30](#) [PEC-07-02-T-S-A](#) [346-014-520-801](#) [KSLX-62-BR](#) [307-048-502-202](#) [CE100F26-7-C](#) [CE100F28-3-D](#) [CE100F28-4-D](#) [CE156F18-9-C](#) [CE156F22-5-D](#) [CE156F22-9-C](#) [CT100F22-2-D](#) [CT100F22-3-D](#) [CT100F24-2-D](#) [CT100F24-3-D](#) [CT100F24-6-C](#) [CT156F22-4-D](#) [MLSS100-12-C](#) [MLSS100-16-C](#)