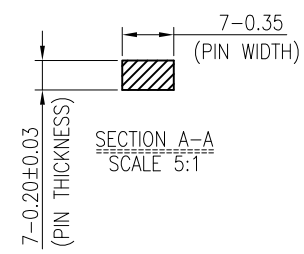
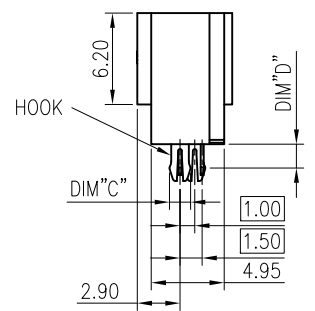
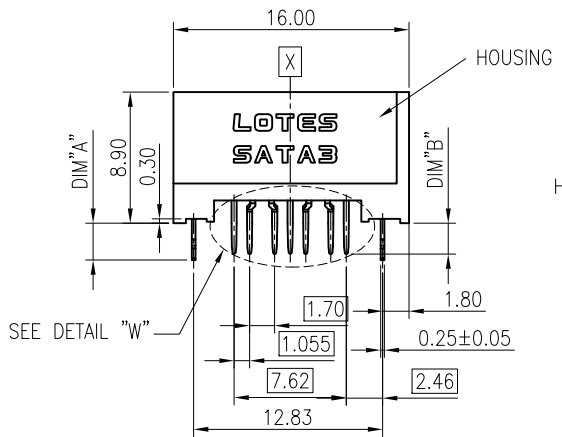
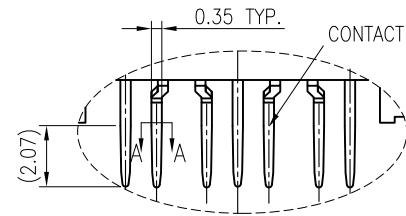
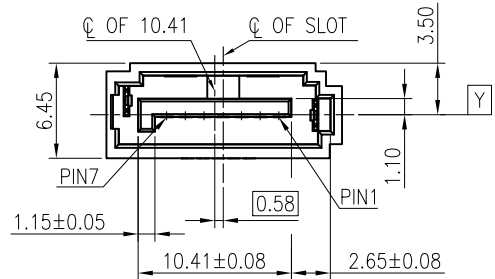
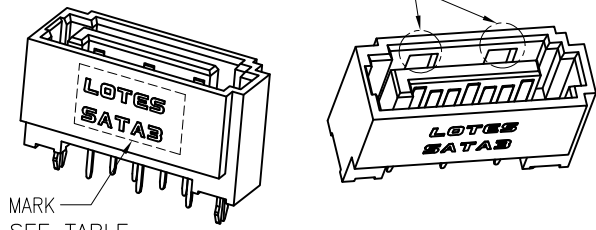
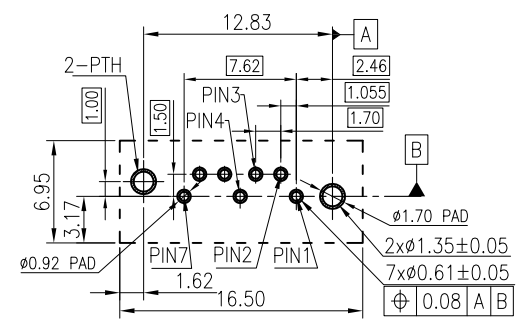
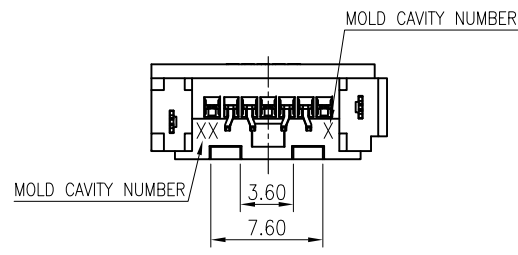


| REV. | ECN NO./DESCRIPTION | DATE |
|------|---------------------|----------|
| 18 | N190150 | 05/29'19 |
| 19 | NZ20030 | 08/08'20 |
| 19A | RZ20074 | 09/13'21 |

LATCHING FEATURE

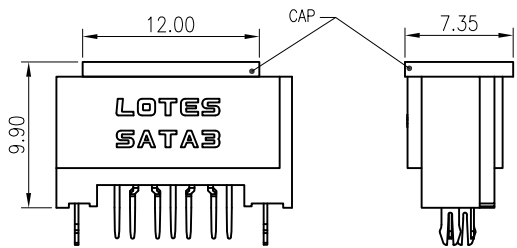


- MATERIAL SPECIFICATION,
 - HOUSING:SEE TABLE;
 - CONTACT:BRASS(C2680);
 - HOOK:BRASS(C2680);
 - CAP:SEE TABLE;
- PLATING SPECIFICATION,
 - CONTACT:
UNDER PLATING: Ni 50u" Min PLATED OVER ALL;
CONTACT AREA: SEE TABLE;
SOLDER TAIL: MATTE TIN 100u" Min PLATED;
2-2.HOOK: MATTE TIN 100u" Min PLATED OVER Ni 50u" Min.
- MECHANICAL PERFORMANCE,
 - INSERTION FORCE:45N Max
 - REMOVAL FORCE:10N Min
 - DURABILITY:50 CYCLES
- ELECTRICAL PERFORMANCE,
 - CURRENT RATING:1.5A Max
 - LLCR:25 MILLIOHMS Max.
 - INSULATION RESISTANCE:1000 MEGAOHMS Min.
 - DIELECTRIC WITHSTAND VOLTAGE:500VRMS AT SEA LEVEL
- RoHS OR HF COMPLIANT
- PCB HOLE PARAMETERS:
 - FINISHED HOLE: 24 MILS
 - DRILL HOLE SIZE: 27 MILS
 - PAD SIZE: 39 MILS
 - ANTI-PAD: 60 MILS
- WAVE SOLDER:
THE CONNECTOR SHALL BE MOUNTED ON THE PCB;THE TEMPERATURE OF THE SOLDER SHALL BE 260±5°C, AND IMMERSION DURATION:3~5SECONDS.
- MARK "LOTES SATA3" or "LOTES" SEE TABLE;



RECOMMENDED PC BOARD LAYOUT(TOP VIEW)
(THICKNESS:1.60mm;DEFAULT TOLERANCE ±0.05)

| GENERAL TOLERANCES UNLESS SPECIFIED | | PART NO. | LOTES | | | | | |
|-------------------------------------|-------------------|---------------------------|----------------------------|--|--|---|--|--|
| X± 0.35 | X°± 3° | SEE TABLE | | | | TITLE SATA3.0 7PIN CONN. WITH SHROUD,T/H,VERTICAL | | |
| .XX± 0.25 | .X°± 2° | APPROVED BY Jianbin_Ai | DWG NO. GAP-ABA-SAT-054 | | | | | |
| .XXX± 0.15 | .XX°± 1° | CHECKED BY Yong_Liu | | | | | | |
| CUSTOMER DRAWING | | DRAWN BY Wei_He | SHEET 1 / 3 | | | | | |
| SIZE A4 | UNITS mm[inch] | | | | | SCALE 2:1 | | |
| | | | REV 19A | | | | | |

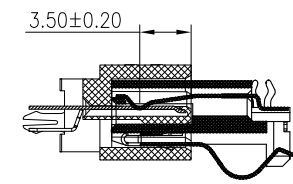
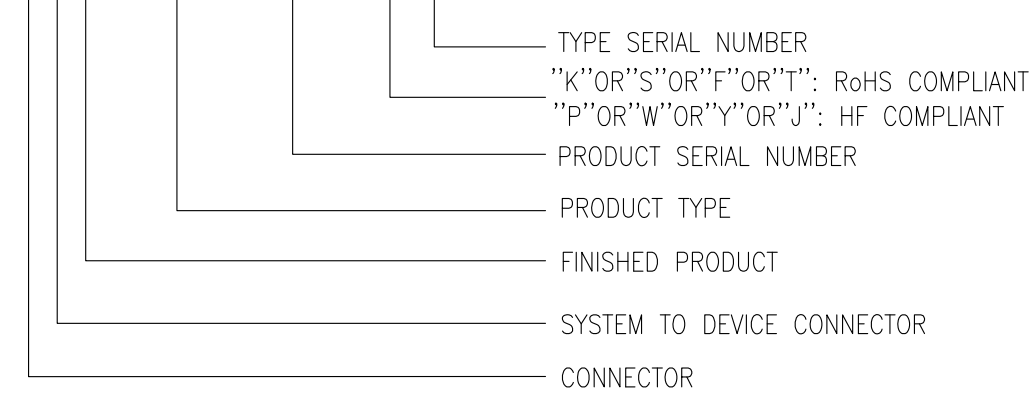


WITH CAP

| REV. | ECN NO./DESCRIPTION | DATE |
|------|---------------------|----------|
| 18 | N190150 | 05/29'19 |
| 19 | NZ20030 | 08/08'20 |
| 19A | RZ20074 | 09/13'21 |

PRODUCT NUMBER NOTE:

A B A - S A T - 0 5 4 - X X X

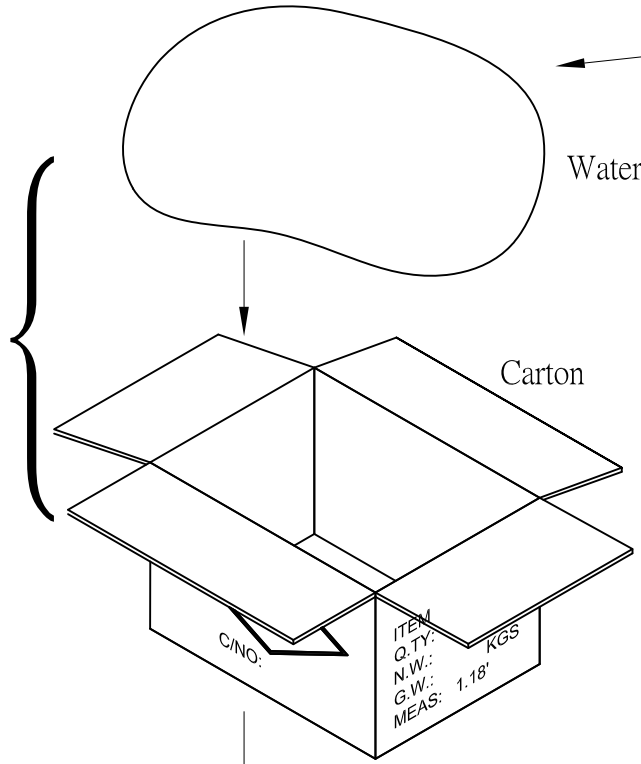


Matting. Dimension

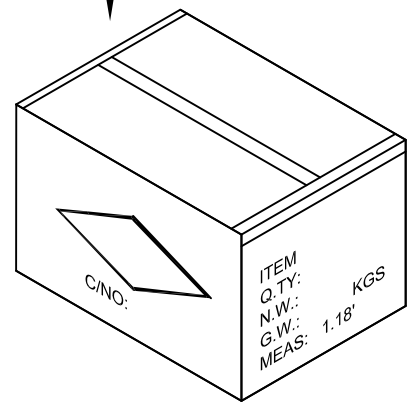
| GENERAL TOLERANCES UNLESS SPECIFIED | | PART NO. | LOTES | | | | |
|-------------------------------------|-----------|---------------------------|---|-------|--|-------|-----|
| .X ± 0.35 | X° ± 3° | SEE TABLE | TITLE SATA3.0 7PIN CONN. WITH SHROUD,T/H,VERTICAL | | | | |
| .XX ± 0.25 | X° ± 2° | APPROVED BY Jianbin_Ai | | | | | |
| .XXX ± 0.15 | .XX° ± 1° | CHECKED BY Yong_liu | DWG NO. GAP-ABA-SAT-054 | | | | |
| CUSTOMER DRAWING | SIZE | UNITS | DRAWN BY | SHEET | | SCALE | REV |
| | A4 | mm[inch] | Wei_He | 2 / 3 | | 2:1 | 19A |

| REV. | ECN NO./DESCRIPTION | DATE |
|------|---------------------|----------|
| 18 | N190150 | 05/29'19 |
| 19 | NZ20030 | 08/08'20 |
| 19A | RZ20074 | 09/13'21 |

3. Put the 30 trays of products into a water-repellent film, then put all of them into a carton.



4. Packed the carton ,and the seal looks like "工"shape.

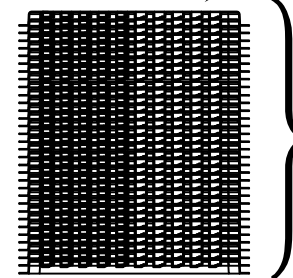


Water-repellent film

Carton

An empty tray on the top

2. Each 30 trays of products puts together, one tray over another one, like the picture shows, 6300pcs products in all.

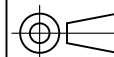


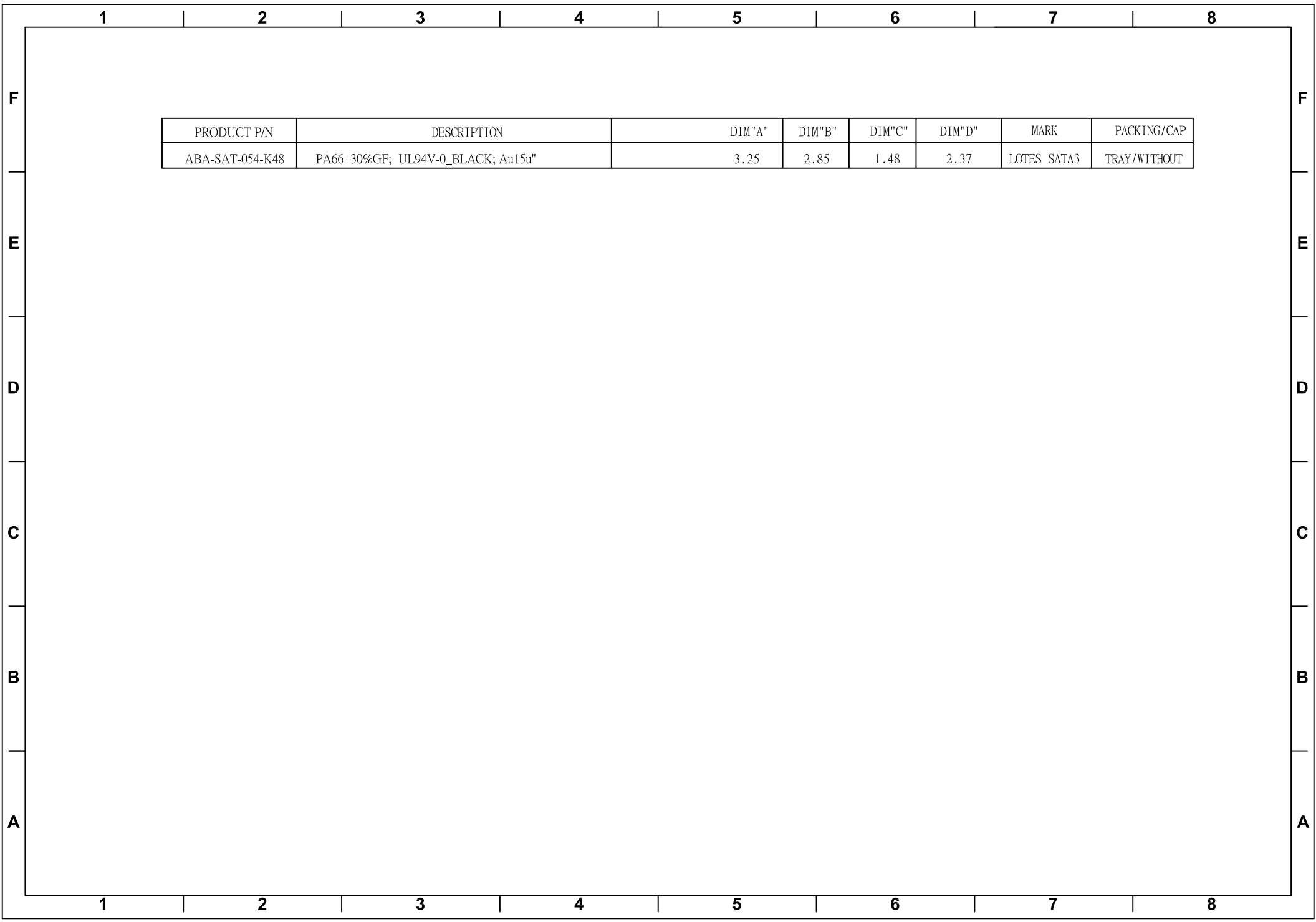
Product

1. Put the good products which had inspected into the tray, 210 pcs per tray.



| | | | | | |
|--|-----------|-------------|---|--|--|
| GENERAL TOLERANCES UNLESS SPECIFIED | | PART NO. | LOTES | | |
| .X ± 0.35 | X° ± 3° | SEE TABLE | | | |
| .XX ± 0.25 | X° ± 2° | APPROVED BY | TITLE SATA3.0 7PIN CONN. WITH SHROUD,T/H,VERTICAL | | |
| .XXX ± 0.15 | .XX° ± 1° | Jianbin_Ai | | | |
| CUSTOMER DRAWING | | CHECKED BY | DWG NO. GAP-ABA-SAT-054 | | |
| | | Yong_liu | | | |
| SIZE | UNITS | DRAWN BY | SHEET SCALE REV | | |
| A4 | mm[inch] | Wei_He | | | |





| PRODUCT P/N | DESCRIPTION | DIM"A" | DIM"B" | DIM"C" | DIM"D" | MARK | PACKING/CAP |
|-----------------|-----------------------------------|--------|--------|--------|--------|-------------|--------------|
| ABA-SAT-054-K48 | PA66+30%GF; UL94V-0_BLACK; Au15u" | 3.25 | 2.85 | 1.48 | 2.37 | LOTES SATA3 | TRAY/WITHOUT |

X-ON Electronics

Largest Supplier of Electrical and Electronic Components

Click to view similar products for [Standard Card Edge Connectors](#) category:

Click to view products by [LOTES](#) manufacturer:

Other Similar products are found below :

[CR7E-30DB-3.96E\(72\)](#) [6565204-6](#) [1437274-4](#) [1-582587-1](#) [284-0102-12100](#) [286-0052-12101A](#) [306022901000000](#) [A6D22DS29C2](#) [1926088-2](#) [245-062-520-350](#) [287-0032-12101](#) [306-028-525-102](#) [307-072-526-202](#) [330-030-500-278](#) [345-060-559-303](#) [534671-1](#) [341-240-317](#) [345-044-500-300](#) [346-240-318](#) [C7D10DS29C1M133](#) [395-100-524-300](#) [09-07-2032](#) [10035388-802LF](#) [10115859-011LF](#) [10122859-009LF](#) [101269333204245CLF](#) [530555-1](#) [66925-516LF](#) [5145409-2](#) [73726-0005](#) [66308-1](#) [EBC05DRXN](#) [KSLX-62-BR](#) [CE100F26-7-C](#) [CE100F28-3-D](#) [CE100F28-4-D](#) [CE156F22-9-C](#) [CT100F24-3-D](#) [CT100F24-6-C](#) [MLSS100-12-C](#) [SCC100F-11-C](#) [SCC100F-20-C](#) [SCC100F-24-C](#) [SCC100F-25-C](#) [3-530656](#) [2512250177](#) [285-0112-12300](#) [346-068-556-300](#) [284-0492-11000](#) [287-0032-12301](#)