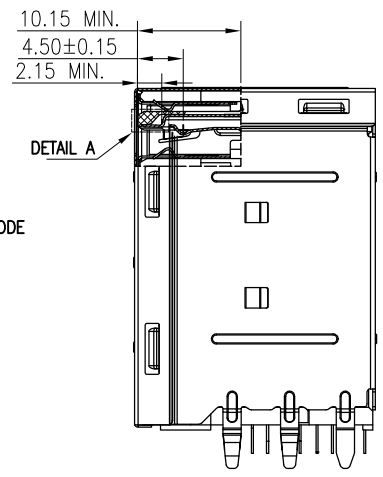
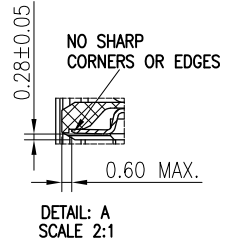


REV.	ECN NO./DESCRIPTION	DATE
11	N170306	07/05'2017
12	N170537	01/17'2018
13	N180061	02/05'2018



GENERAL TOLERANCES UNLESS SPECIFIED		PART NO.		LOTES	
.X± 0.35	X°± 3°	SEE TABLE			
.XX± 0.25	.X°± 2°	APPROVED BY		TITLE	
.XXX± 0.15	.XX°± 1°	Jie_Liao		USB3.0X4PORT CONN.	
CUSTOMER DRAWING		CHECKED BY		DWG NO.	
		Min_Xu		GAP-ABA-USB-094	
SIZE	UNITS	DRAWN BY			SHEET
A4	mm[inch]	Chen_Gang			
				SCALE	REV
				1:1	13

REV.	ECN NO./DESCRIPTION	DATE
11	N170306	07/05'2017
12	N170537	01/17'2018
13	N180061	02/05'2018

NOTES:

1.MATERIAL:

1-1.USB3.0 HOUSING:PA66+30%G.F OR PA9T+30%G.F OR PPA+33%G.F,UL94V-0
COLOR_BLUE 300C OR BLACK(SEE TABLE)

1-3.SPACER:LCP+40%G.F,UL94 V-0;COLOR_BLACK

1-4.CONTACTS:BRASS C2680 OR PHOSPHOR BRONZE C5191(SEE TABLE)

1-5.FRONT SHELL:STAINLESS STEEL SUS301

1-6.BACK SHELL:STAINLESS STEEL SUS301

1-7.IN SHELL:STAINLESS STEEL SUS301

2.FINISH:

2-1.CONTACT: Ni 50u" MIN. PLATED ON OVER ALL.; Au PLATED ON THE FUNCTIONAL AREA OF CONTACT(SEE TABLE).MATTE TIN100u" MIN ON SOLDER AREA.
2-2.BACK SHELL: PLATED Ni 50u" MIN.; MATTE TIN 100u" MIN ON SOLDER AREA.

3.MECHANICAL PERFORMANCE:

3-1.INSERTION FORCE:3.5Kgf MAX. RATE OF 12.5MM/MIN.

3-2.REMOVAL FORCE:1.0~3.5Kgf INITIAL AND 0.8~3.5Kgf AFTER DURABILITY CYCLES

3-3.DURABILITY:5,000 CYCLES

4.LLCR ELECTRICAL PERFORMANCE:

4-1.CURRENT RATING: VBUS&GND PINS: 1.8A/PIN

4-2.LLCR: VBUS&GND PINS: 30mΩ MAX.,OTHER PINS: 50mΩ MAX.

CHANGE OF ALL PINS:10mΩ MAX.

4-3.INSULATION RESISTANCE: 100MΩ MIN.

4-4.DIELECTRIC WITHSTAND VOLTAGE: AC ·100V FOR 1 MINUTE.

5.WAVE SOLDER

THE CONNECTOR SHALL BE MOUNTED ON THE PCB,THE TEMPERATURE OF THE SOLDER SHALL BE 260±5°C AND IMMERSION DURATION 3~5 SECONDS.

6.RoHS COMPLIANT OR HF COMPLIANT

7.PRODUCT NO:

ABA-USB-094-XXX

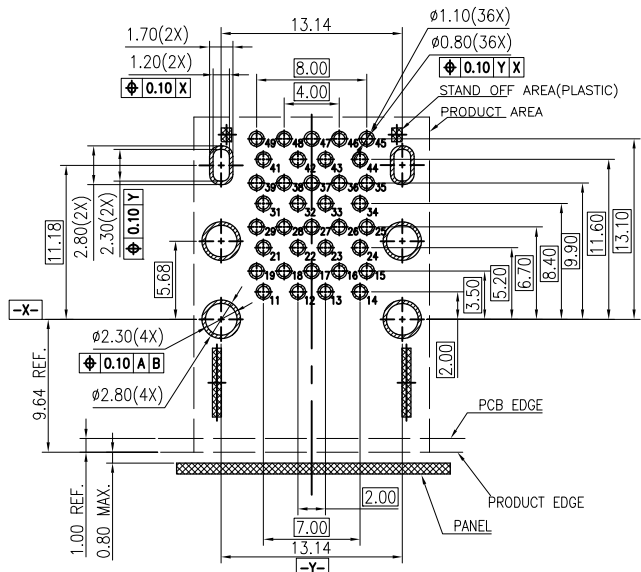
TYPE SERIAL NUMBER
K/F/T: RoHS COMPLIANT
P/W/Y: HF COMPLIANT
PRODUCT SERIAL NUMBER
PRODUCT TYPE
FINISHED PRODUCT
SYSTEM TO DEVICE CONNECTOR
CONNECTOR

8.DATE CODE:

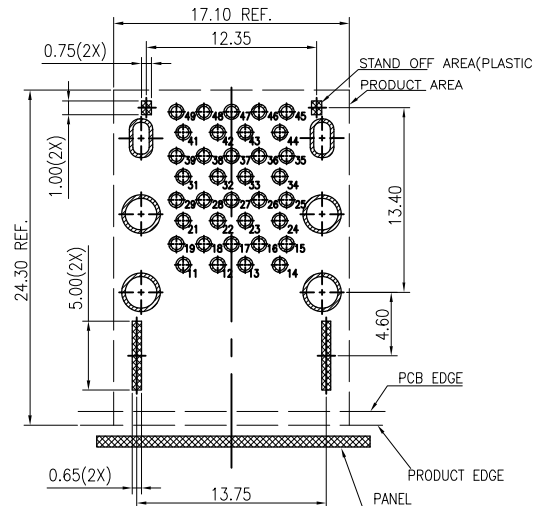
XXXX
Week
Year

9.SALT SPRAY 48H PASS

10.INSERTION FORCE OF CONNECTOR INTO PCB 2kgf MAX.



RECOMMENDED PCB LAYOUT(TOP VIEW)
TOL.:±0.05 SCALE 1:1
(PCB THICKNESS 1.60mm)



RECOMMENDED PCB LAYOUT(TOP VIEW)
TOL.:±0.05 SCALE 1:1
(PCB THICKNESS 1.60mm)

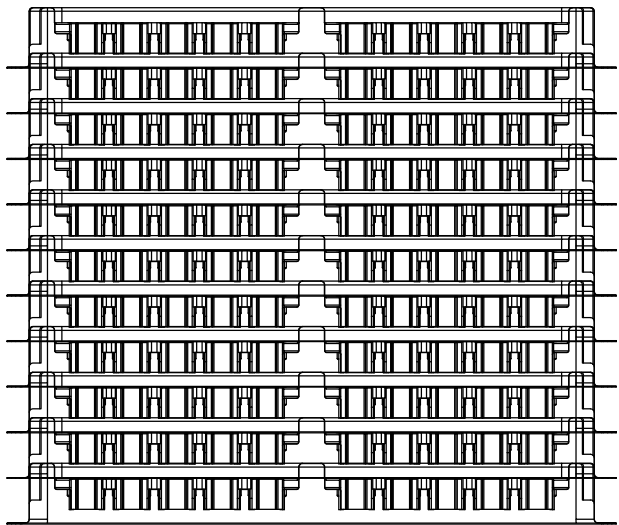
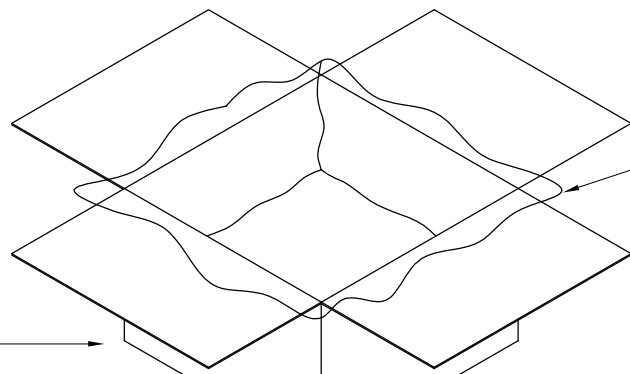
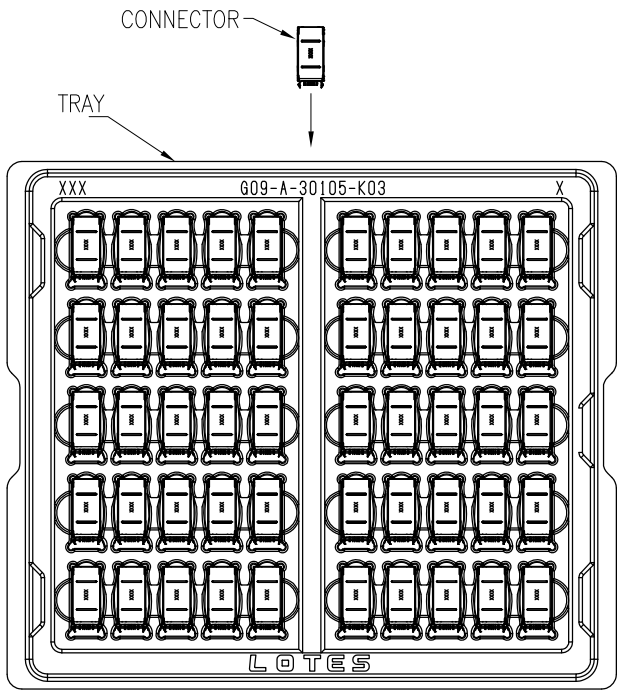
USB3.0 Pin Assignments

Pin Number	Signal Name	Pin Number	Signal Name
11.21.31.41	VBUS	15.25.35.45	StdA_SSRX-
12.22.32.42	D-	16.26.36.46	StdA_SSRX+
13.23.33.43	D+	17.27.37.47	GND_DRAIN
14.24.34.44	GND	18.28.38.48	StdA_SSTX-
Shell	SHIELD	19.29.39.49	StdA_SSTX+

GENERAL TOLERANCES UNLESS SPECIFIED		PART NO.	LOTES			
.X ± 0.35	X° ± 3°	SEE TABLE	TITLE USB3.0X4PORT CONN.			
.XX ± 0.25	.X° ± 2°	APPROVED BY Jie_Liao	DWG NO. GAP-ABA-USB-094			
.XXX ± 0.15	.XX° ± 1°	CHECKED BY Min_Xu	DRAWN BY Chen_Gang			
SIZE A4	UNITS mm[inch]	CUSTOMER DRAWING		SHEET 2 / 3	SCALE 1:1	REV 13

REV.	ECN NO./DESCRIPTION	DATE
11	N170306	07/05'2017
12	N170537	01/17'2018
13	N180061	02/05'2018

F
E
D
C
B
A



- NOTES:
- 1 .QUANTITY/TRAY: 50 PCS/TRAY
 - 2 .CARTON/TRAY: 10 TRAY/CARTON
 - 3 .QUANTITY/CARTON: 500 PCS/CARTON

GENERAL TOLERANCES UNLESS SPECIFIED		PART NO.	LOTES			
.X± 0.35	X.°± 3°	SEE TABLE				
.XX± 0.25	.X.°± 2°	APPROVED BY	TITLE			
.XXX± 0.15	.XX.°± 1°	Jie_Liao	USB3.0X4PORT CONN.			
CUSTOMER DRAWING		CHECKED BY	DWG NO.			
		Min_Xu	GAP-ABA-USB-094			
SIZE	UNITS	DRAWN BY		SHEET	SCALE	REV
A4	mm[inch]	Chen_Gang		3 / 3	1:1	13

1 2 3 4 5 6 7 8

1 2 3 4 5 6 7 8

F
E
D
C
B
A

X-ON Electronics

Largest Supplier of Electrical and Electronic Components

Click to view similar products for [USB Connectors](#) category:

Click to view products by [LOTES](#) manufacturer:

Other Similar products are found below :

[950](#) [A-USB B-TOP-C](#) [MUSBA511N5](#) [MUSBC111M5](#) [MUSBD11135](#) [17-200721](#) [217450-1](#) [KMBVX-TH-5S-B30](#) [896-30-004-00-000000](#)
[KUSBX-AS2N-W](#) [KUSBX-SMT2AP1S-W30](#) [935](#) [957](#) [30-498-6](#) [SK-60A-2](#) [1734082-1](#) [CIR06R-18-12S-F80-T12-26](#) [CIR08F-20](#) [30-1574](#)
[30-470](#) [30-489](#) [30-541](#) [MAB 5 S](#) [A-USB A-2P-C](#) [MIKROE-1451](#) [USBFTV2PEM2G](#) [USBFTVC6ZN](#) [USBFTVSCCG](#) [4689-1](#) [1-1734084-2](#)
[MUSBC11135](#) [CIR08F-20-27P-F80-VO](#) [USBF21ZNSCC](#) [USBBFTV6ZC](#) [10135326-001LF](#) [M9177/3-1](#) [USB-A-S-F-B-VT](#) [4198](#) [1310-1018-](#)
[05](#) [690-024-633-031](#) [UB-20PMFP-LC7001](#) [UA-20BMFA-SL8001](#) [17-200011](#) [USBFTVC7ZC](#) [UB-20AFMM-LL7A01](#) [USBFTVC2MN](#)
[CAP-WCCMLPB1](#) [CAP-WCCMLPC1](#) [1310-1031-01](#) [2041386-1](#)