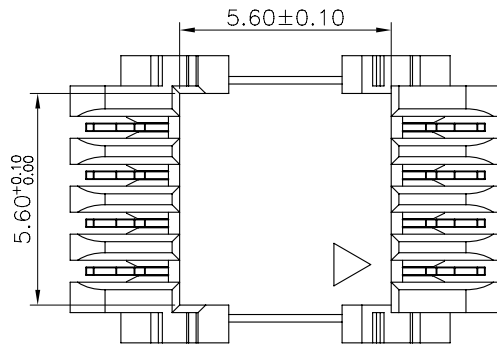
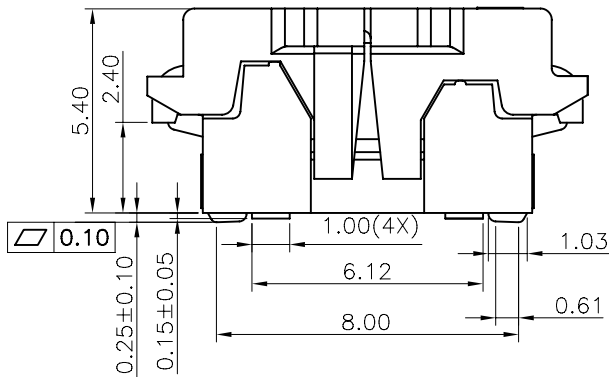
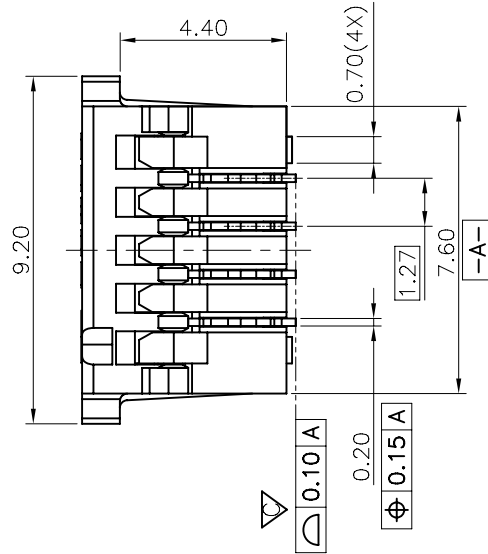
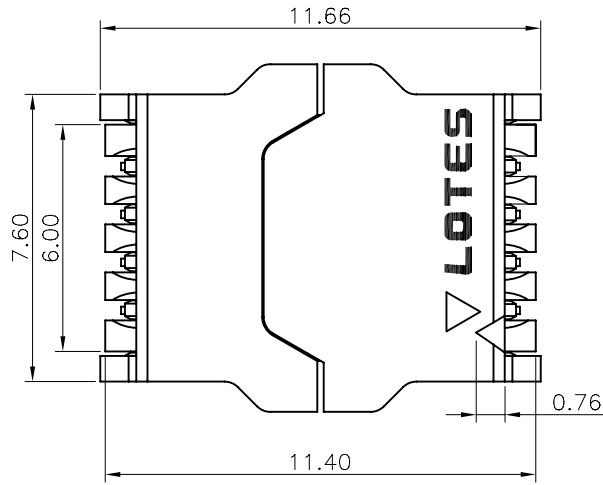


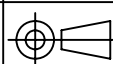
REV.	ECR/N NO./DESCRIPTION	DATE	DRAWN	CHECKED	APPROVE
20	SN15064	07/15'15	Victor	Vito	Barney
21	SN19053	05/15'19	Rover	Vito	Frank
21A	SN20***	02/27'20	Rover	Vito	Herch

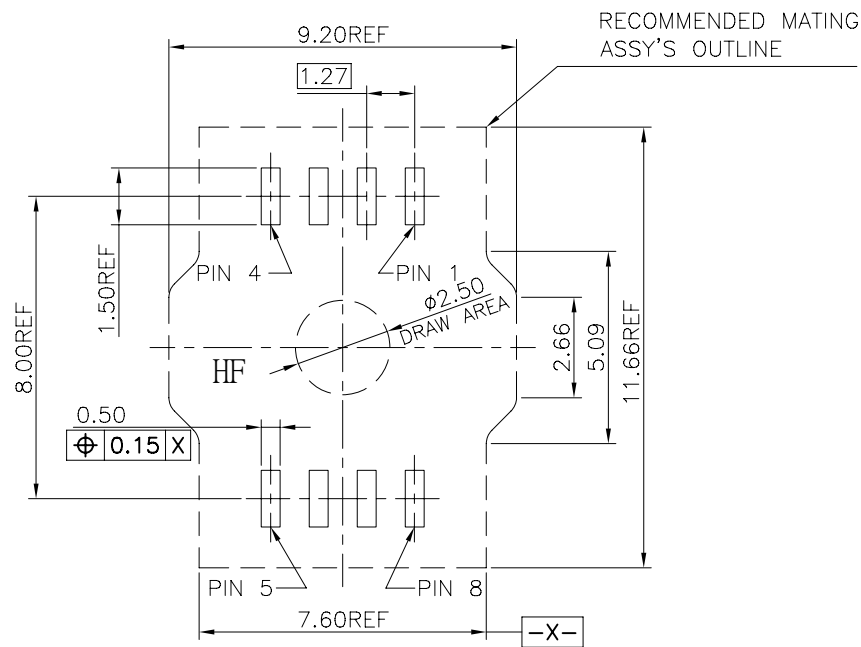


THE TOP VIEW WITHOUT COVERS

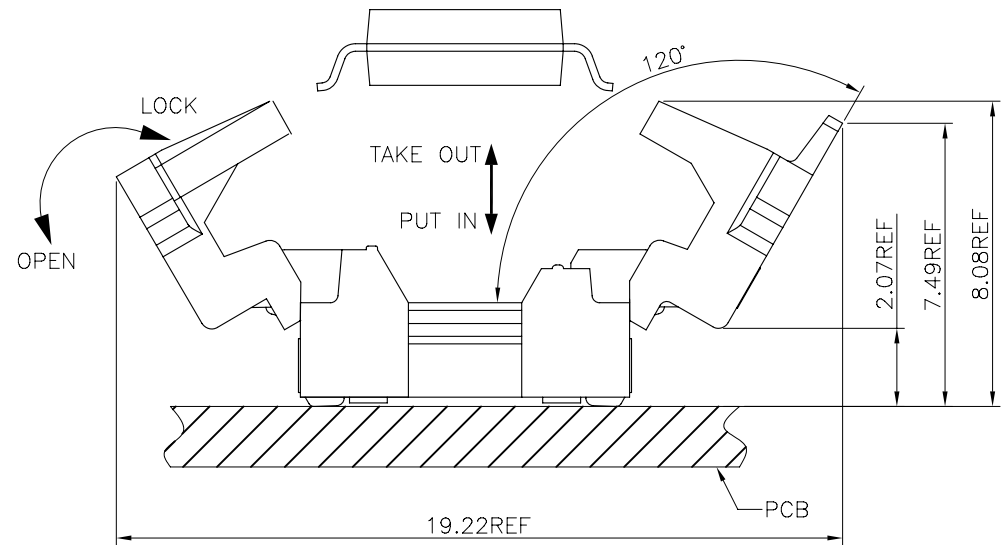
TABLE

6	ACA-SPI-004-K01_A	Ni 50u" min, Nickel under plating on solder area and contact area ; G/F1 u" min on contact area and solder area.
5	ACA-SPI-004-K01	Ni 50u" min, Nickel under plating on solder area and contact area ; G/F1 u" min on contact area and solder area.
4	ACA-SPI-004-K02	Ni 50u" min, Nickel under plating on solder area and contact area ; Au 15 u" min on contact area and solder area.
3	ACA-SPI-004-K03	Ni 50u" min, Nickel under plating on solder area and contact area ; Matte Sn80-120u" on contact area and solder area.
2	ACA-SPI-004-K04	Ni 50u" min, Nickel under plating on solder area and contact area ; Au 15 u" min on contact area and solder area.
1	ACA-SPI-004-K05	Ni 50u" min, Nickel under plating on solder area and contact area ; Au 30 u" min on contact area and solder area.

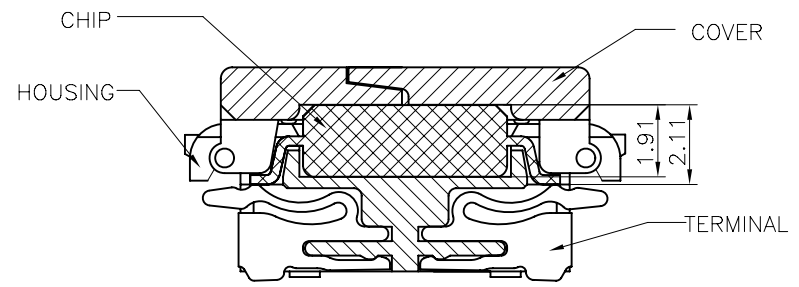
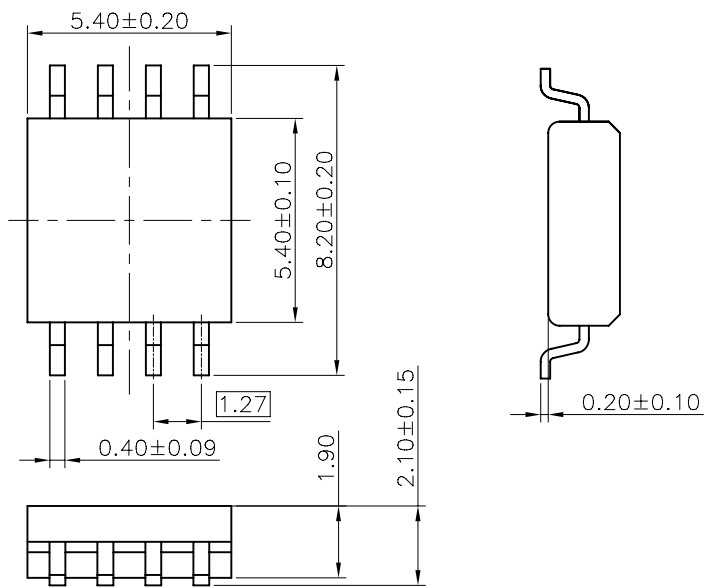
NO.	PART NO.	DESCRIPTION			
GENERAL TOLERANCES UNLESS SPECIFIED		PART NO.		<b>LOTES</b>	
X ± 0.35	X.° ± 3°	SEE TABLE			
.XX ± 0.25	.X.° ± 2°	APPROVED BY	TITLE		
.XXX ± 0.15	.XX.° ± 1°	RON	SPI FLASH SOCKET FOR SOIC 8PIN		
CUSTOMER DRAWING		CHECKED BY	DWG NO.		
		KAKA	AP-ACA-SPI-004-K		
SIZE	UNITS	DRAWN BY			
A4	MM [INCH]	SUN			
			SHEET	SCALE	REV
			1 / 5	5 : 1	21A



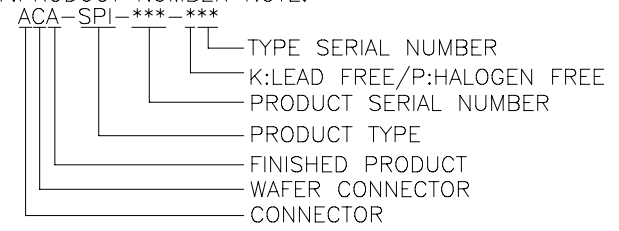
RECOMMENDED PCB LAYOUT FOR USE  
 CONNECTOR MOUNTING SIDE  
 GENERAL TOLERANCES: ±0.05



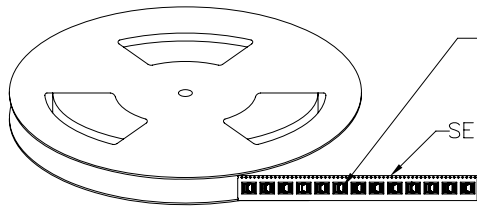
GENERAL TOLERANCES UNLESS SPECIFIED		PART NO. SEE TABLE	<b>LOTES</b>			
X ± 0.35	X.° ± 3°					
XX ± 0.25	.X° ± 2°	APPROVED BY RON	TITLE SPI FLASH SOCKET FOR SOIC 8PIN			
.XXX ± 0.15	.XX° ± 1°	CHECKED BY KAKA	DWG NO. AP-ACA-SPI-004-K			
CUSTOMER DRAWING		DRAWN BY SUN		SHEET	SCALE	REV
SIZE A4	UNITS MM [INCH]			2 / 5	5 : 1	21A



- NOTES: 1.MATERIAL:  
 1).HOUSING:LCP,UL-94V0,BLACK.  
 2).COVER:LCP,UL-94V0,BLACK.  
 3).CONTACT:Phosphor Bronze.  
 2.FINISH:SEE TABLE  
 3.RoHS COMPLIANT. HF COMPLIANT.  
 4.ELECTRICAL PERFORMANCE  
 Contact resistance:30mΩ MAX.  
 Insulation resistance:1000MΩ MIN  
 5.MECHANICAL PERFORMANCE  
 Durability:25 cycles  
 6.IR REFLOW TEMPERATURE:260°C±5°C FOR 10 SECONDS MAX.  
 7.PRODUCT NUMBER NOTE:



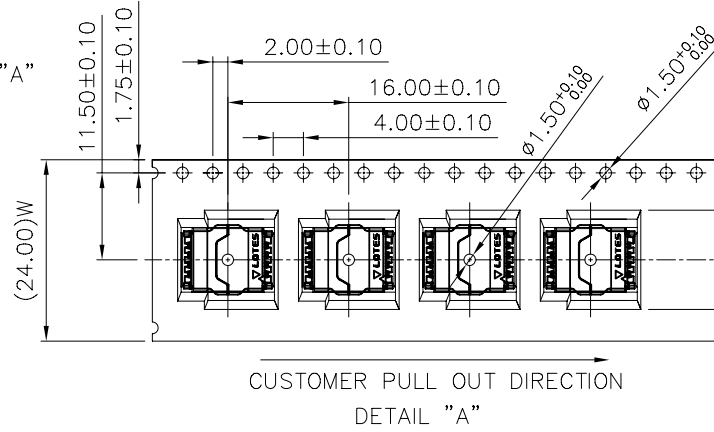
GENERAL TOLERANCES UNLESS SPECIFIED		PART NO. SEE TABLE	<b>LOTES</b>			
X ± 0.35	X.° ± 3°					
XX ± 0.25	.X° ± 2°	APPROVED BY RON	TITLE SPI FLASH SOCKET FOR SOIC 8PIN			
.XXX ± 0.15	.XX° ± 1°	CHECKED BY KAKA	DWG NO. AP-ACA-SPI-004-K			
SIZE	UNITS	DRAWN BY		SHEET	SCALE	REV
A4	MM [INCH]	SUN		3 / 5	5 : 1	21A



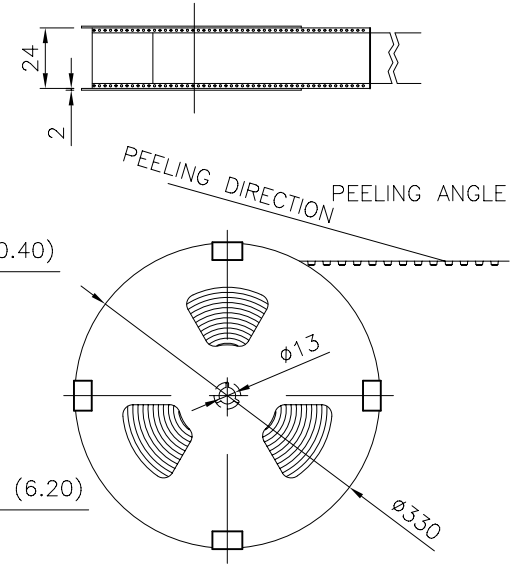
PRODUCT

SEE DETAIL "A"

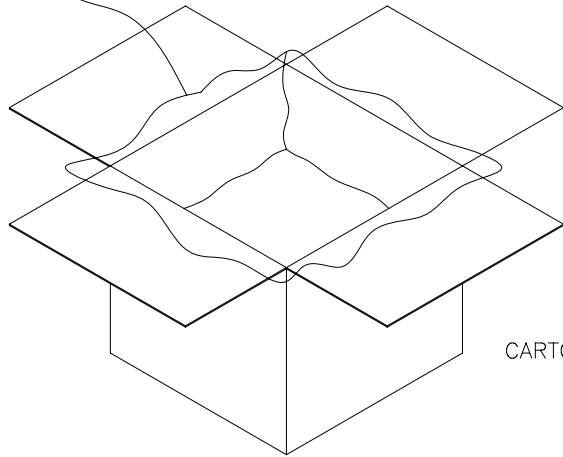
THE HEAD EMPTY 10 PCS  
AND THE TAIL EMPTY 15 PCS



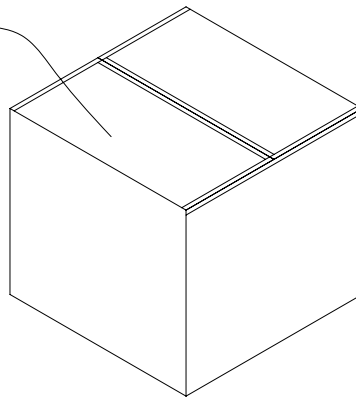
CUSTOMER PULL OUT DIRECTION  
DETAIL "A"



PE BAG



CARTON

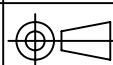


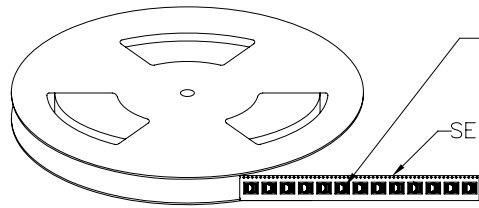
PACKAGE SPEC:  
1.FOR THE P/N:ACA-SPI-004-K01/K02/K03/K04/K05

NOTES:

- 1.THE OPERATION OF PACKING REFER THE LEFT PROCESS.
- 2.PACKING LIST.

DESCRIPTION	P/N	SPECIFICATION	QT'Y(PCS)
PRODUCT	ACA-SPI-XXX-XXX	SEE NOTES 1	2100
CARTON	S09-1-30014-K01	340*340*113;K=K	1
REEL	G09-04-30002-02	W=24.4;13"	3
CARRY TAPE	G09-5-00035-K01	24*16*6;PS_CLARITY	11.6*3M
COVER TAPE	G09-05-10004-01	0.05*20.7;PE_WHITE	11.6*3M
PE BAG	G09-06-50002-02	520*520*460;T=0.05mm	1
DUNK COTTON	S09-3-30009-K01	335*335*10;material EPE	2
DESICCANT	G09-07-00001-01	2g/BAG	4BAG

GENERAL TOLERANCES UNLESS SPECIFIED		PART NO.	<b>LOTES</b>								
X ± 0.35	X.° ± 3°	SEE TABLE									
XX ± 0.25	.X.° ± 2°	APPROVED BY RON	TITLE SPI FLASH SOCKET FOR SOIC 8PIN								
.XXX ± 0.15	.XX.° ± 1°	CHECKED BY KAKA	DWG NO. AP-ACA-SPI-004-K								
SIZE	UNITS	DRAWN BY SUN	 <table border="1"> <tr> <th>SHEET</th> <th>SCALE</th> <th>REV</th> </tr> <tr> <td>4 / 5</td> <td>1 : 1</td> <td>21A</td> </tr> </table>			SHEET	SCALE	REV	4 / 5	1 : 1	21A
SHEET	SCALE	REV									
4 / 5	1 : 1	21A									
A4	MM [INCH]										

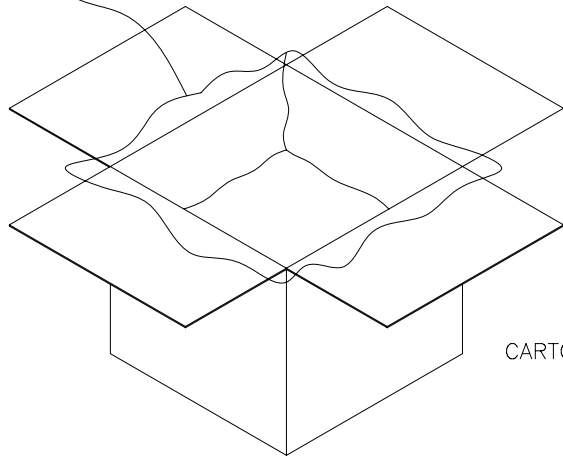


PRODUCT

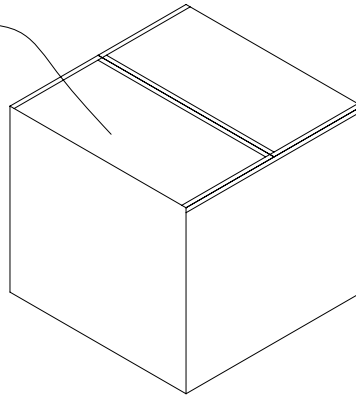
SEE DETAIL "A"

THE HEAD EMPTY 10 PCS  
AND THE TAIL EMPTY 15 PCS

PE BAG

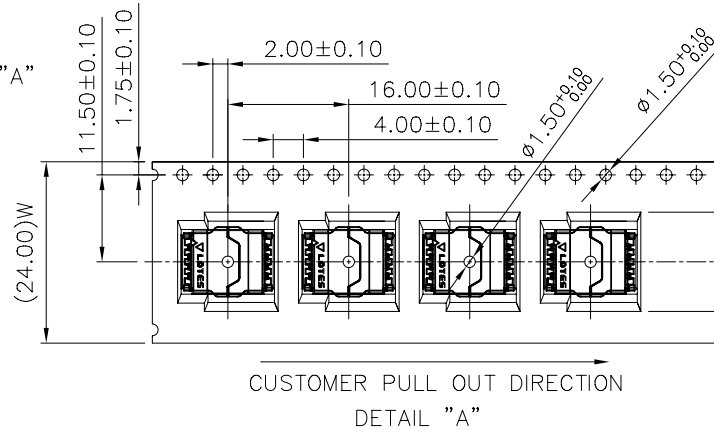


CARTON

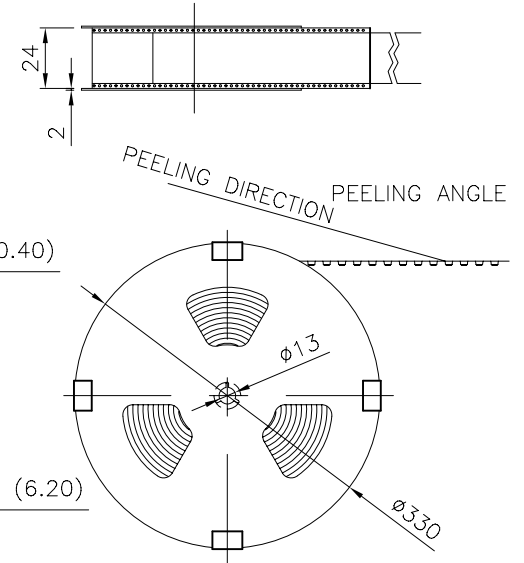


PACKAGE SPEC:

1.FOR THE P/N:ACA-SPI-004-K01\_A



CUSTOMER PULL OUT DIRECTION  
DETAIL "A"



NOTES:

- 1.THE OPERATION OF PACKING REFER THE LEFT PROCESS.
- 2.PACKING LIST.

DESCRIPTION	P/N	SPECIFICATION	QT'Y(PCS)
PRODUCT	ACA-SPI-004-K01_A	SEE NOTES 1	2100
CARTON	S09-1-30014-K01	340*340*113;K=K	1
REEL	G09-04-30002-02	W=24.4;13"	3
CARRY TAPE	G09-5-00035-K01	24*16*6;PS_CLARITY	11.6*3M
COVER TAPE	G09-05-10004-01	0.05*20.7;PE_WHITE	11.6*3M
PE BAG	G09-06-50002-02	520*520*460;T=0.05mm	1
DUNK COTTON	S09-3-30009-K01	335*335*10;material EPE	2
DESICCANT	G09-07-00001-01	2g/BAG	4BAG

GENERAL TOLERANCES  
UNLESS SPECIFIED

X ± 0.35	X.° ± 3°
.XX ± 0.25	.X.° ± 2°
.XXX ± 0.15	.XX.° ± 1°

PART NO.  
SEE TABLE

**LOTES**

APPROVED BY  
RON

TITLE  
SPI FLASH SOCKET  
FOR SOIC 8PIN

CUSTOMER DRAWING

CHECKED BY  
KAKA

DWG NO.  
AP-ACA-SPI-004-K

SIZE	UNITS
A4	MM [INCH]

DRAWN BY  
SUN

	SHEET	SCALE	REV
	5 / 5	1 : 1	21A

## X-ON Electronics

Largest Supplier of Electrical and Electronic Components

*Click to view similar products for [Emulators/Simulators](#) category:*

*Click to view products by [LOTES](#) manufacturer:*

Other Similar products are found below :

[QB-78K0RKE3L-TB](#) [ST7MDT2-EMU2B](#) [RTE0T00020KCAA0000J](#) [QB-78K0RKG3-TB](#) [CY3250-24X33](#) [AC244060](#) [7027-D-350](#) [QB-78K0KF2-TB](#) [AC244061](#) [J-Link ULTRA+](#) [CP2102](#) [ADZS-ICE-1000](#) [USB-EA-CONVZ](#) [BH-POE-KIT-1](#) [BH-USB-100v2-ARM](#) [BH-USB-100v2D](#) [BH-USB-200](#) [BH-USB-560v2](#) [BH-XDS-560v2](#) [BH-XDS-560v2-BP](#) [L-MZ07](#) [CY3250-20566](#) [CY3250-286XXQFN](#) [CY3250-28XXX](#) [CY3250-28XXX-POD](#) [IJET-TRACE-CM-L](#) [Btip](#) [ACA-SPI-004-K02](#) [ACA-SPI-004-K01](#) [AC244002](#) [AC244003](#) [AC244063](#) [AC244064](#) [AC244065](#) [AC244066](#) [DV244140](#) [CWH-UTP-ONCE-HE](#) [TMS320-XDS100-V2](#) [QB-78K0KC2L-TB](#) [QB-78K0SKB1-TB](#) [114991468](#) [J-Link](#) [J-Link PRO](#) [TMDSEMU200-U](#) [TMDSEMU560V2STM-UE](#) [TMDSEMUPROTRACE](#) [QB-78K0IB2-TB](#) [QB-78K0RIE3-TB](#) [XNM50550AT](#) [XNM50550ATS](#)