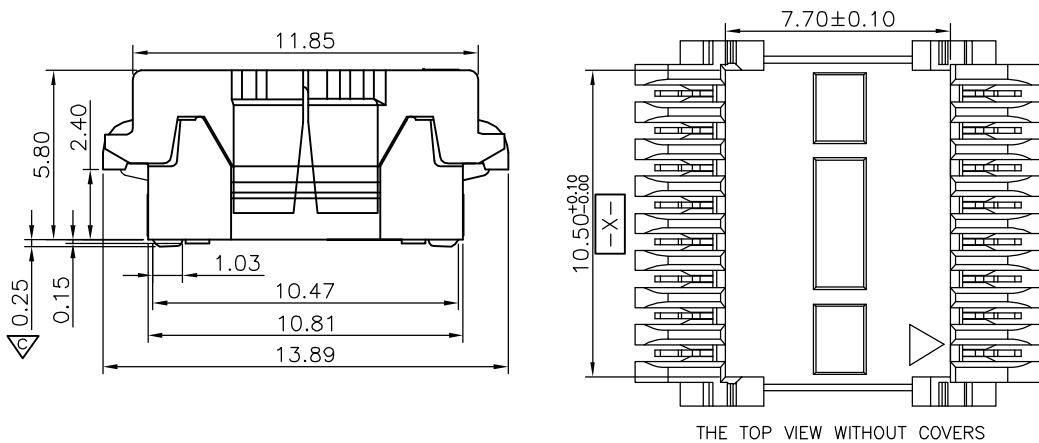
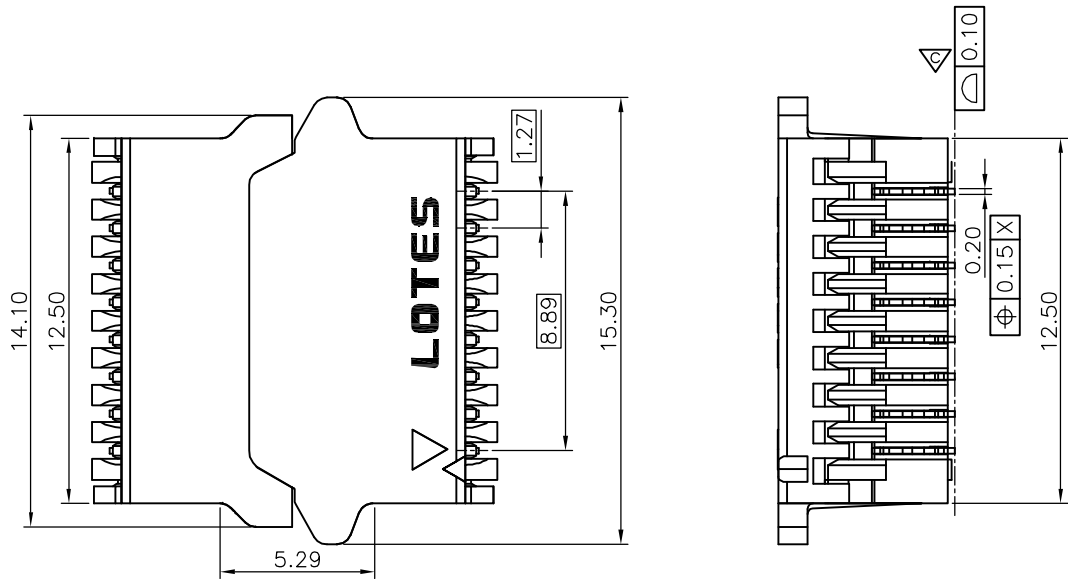


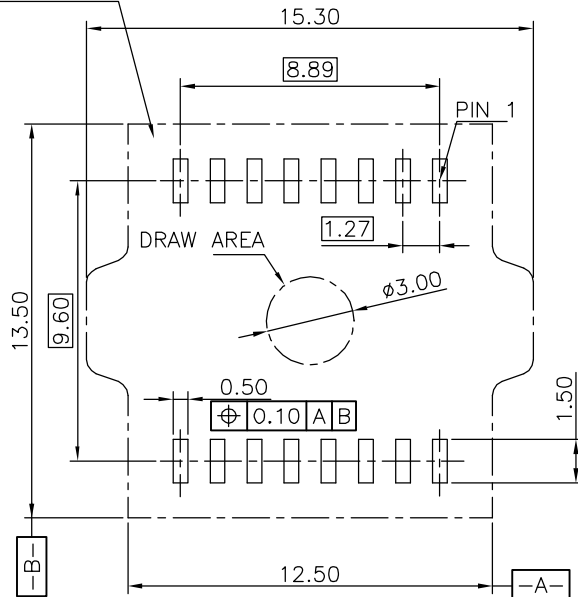
| REV. | ECR/N NO./DESCRIPTION | DATE     | DRAWN  | CHECKED | APPROVE |
|------|-----------------------|----------|--------|---------|---------|
| 8B   | SN15***               | 04/16'15 | SKY    | Vito    | Barney  |
| 8C   | SN15***               | 07/08'15 | Victor | Vito    | Barney  |
| 8D   | SN15***               | 09/15'15 | Victor | Vito    | Barney  |



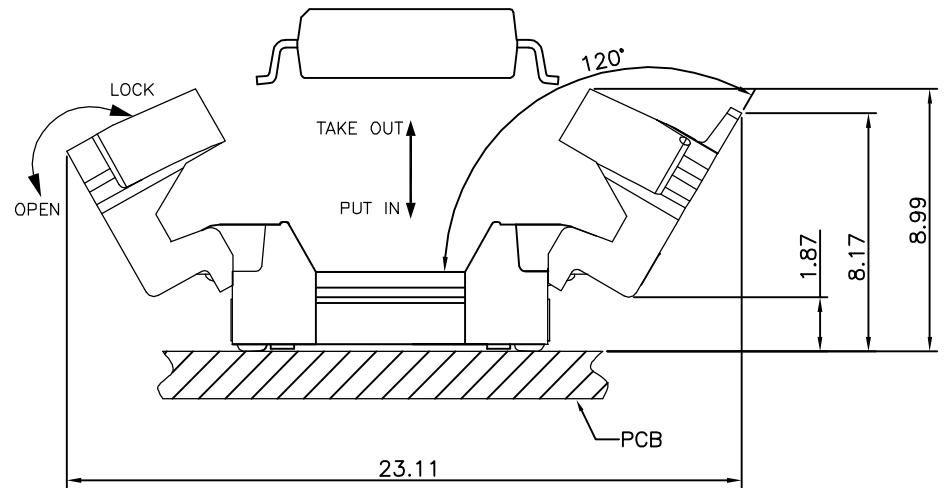
| 6   | ACA-SPI-006-K05 | Ni 50u" MIN, MATTE TIN 80u" MIN ON CONTACT AREA AND SOLDER AREA | BLACK |
|-----|-----------------|---|-------|
| 5   | ACA-SPI-006-P09 | Ni 50u" MIN, G/F 1 u" min ON CONTACT AREA AND SOLDER AREA       | WHITE |
| 4   | ACA-SPI-006-P04 | Ni 50u" MIN, 30u" Au ON CONTACT AERA, G/F 1u"min ON SOLDER AREA | BLACK |
| 3   | ACA-SPI-006-K02 | Ni 50u" MIN, 15u" Au ON CONTACT AERA, G/F 1u"min ON SOLDER AREA | BLACK |
| 2   | ACA-SPI-006-P01 | Ni 50u" MIN, G/F 1 u" min ON CONTACT AREA AND SOLDER AREA       | BLACK |
| 1   | ACA-SPI-006-K01 | Ni 50u" MIN, G/F 1 u" min ON CONTACT AREA AND SOLDER AREA       | BLACK |
| NO. | PART NO.        | DESCRIPTION   | COLOR |

| GENERAL TOLERANCES UNLESS SPECIFIED |           | PART NO.                   | <b>LOTES</b>                             |       |       |     |
|-------------------------------------|-----------|----------------------------|--|-------|-------|-----|
| X ±0.35                             | X° ±3°    | SEE TABLE                  |  |       |       |     |
| XX ±0.25                            | X° ±2°    | APPROVED BY<br>Ron 3/01'07 | TITLE<br>SPI FLASH SOCKET FOR SOIC 16PIN |       |       |     |
| XXX ±0.15                           | .XX° ±1°  | CHECKED BY<br>Kaka 3/01'07 | DWG NO.<br>AP-ACA-SPI-006                |       |       |     |
| SIZE                                | UNITS     | DRAWN BY                   |  | SHEET | SCALE | REV |
| A4                                  | MM [INCH] | Sun 3/01'07                |  | 1 / 4 | 4 : 1 | 8D  |

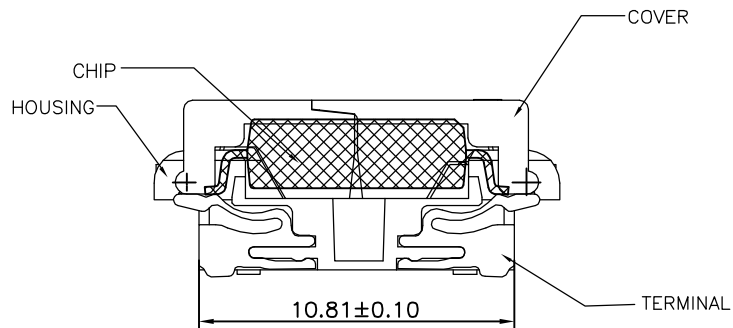
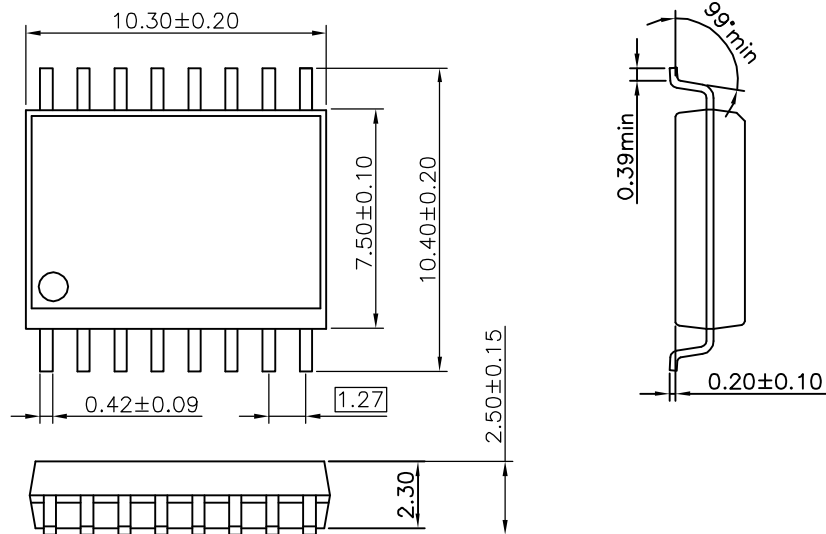
RECOMMENDED MATING  
ASSY'S OUTLINE



RECOMMENDED PCB LAYOUT FOR USE  
CONNECTOR MOUNTING SIDE



|  |           |                            |   |       |       |     |
|--|-----------|----------------------------|---|-------|-------|-----|
| GENERAL TOLERANCES<br>UNLESS SPECIFIED |           | PART NO.<br>SEE TABLE      | <b>LOTES</b>                                |       |       |     |
| X ±0.35                                | X° ±3°    |                            |   |       |       |     |
| XX ±0.25                               | X° ±2°    | APPROVED BY<br>Ron 3/01'07 | TITLE<br>SPI FLASH SOCKET<br>FOR SOIC 16PIN |       |       |     |
| XXX ±0.15                              | .XX° ±1°  | CHECKED BY<br>Kaka 3/01'07 | DWG NO.<br>AP-ACA-SPI-006                   |       |       |     |
| SIZE                                   | UNITS     | DRAWN BY                   |   | SHEET | SCALE | REV |
| A4                                     | MM [INCH] | Sun 3/01'07                |   | 2 / 4 | 4 : 1 | 8D  |



NOTES: 1.MATERIAL:

- 1).HOUSING:LCP,UL-94V0,COLOR:SEE TABLE
- 2).COVER:LCP,UL-94V0,COLOR:SEE TABLE
- 3).CONTACT:Phosphor Bronze.

2.FINISH:SEE TABLE

3.RoHS COMPLIANT. HF COMPLIANT

4.ELECTRICAL PERFORMANCE

Contact resistance:30mΩ MAX.  
Insulation resistance:1000MΩ MIN

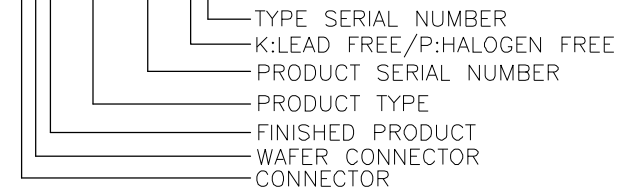
5.MECHANICAL PERFORMANCE

Durability:25 cycles

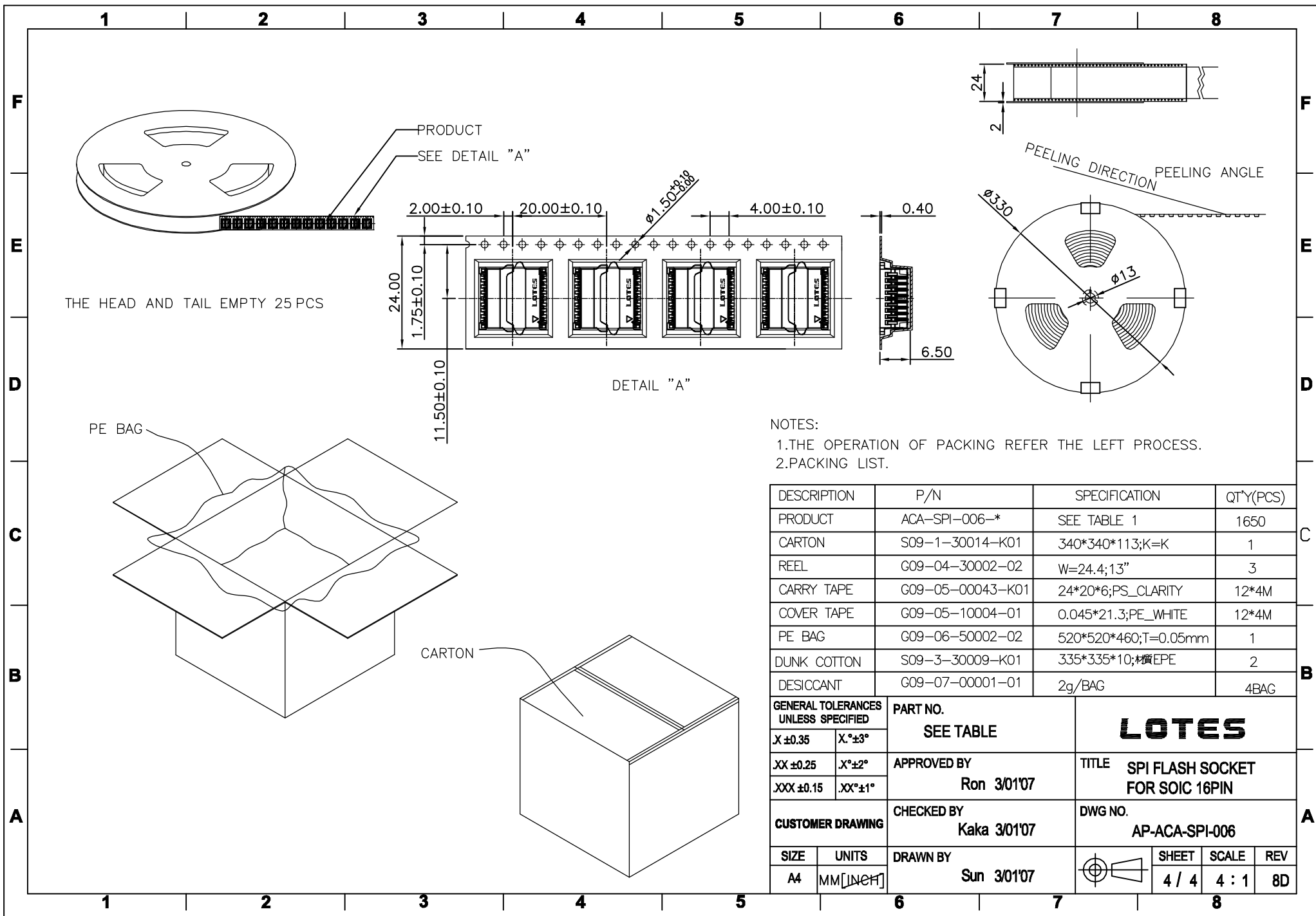
6.IR REFLOW TEMPERATURE:260°C+/-5 °C FOR 10 SECONDS MAX.

7.PRODUCT NUMBER NOTE:

ACA-SPI-\*\*\*-\*\*\*



|                                     |           |                            |  |       |       |     |
|-------------------------------------|-----------|----------------------------|--|-------|-------|-----|
| GENERAL TOLERANCES UNLESS SPECIFIED |           | PART NO.<br>SEE TABLE      | <b>LOTES</b>                             |       |       |     |
| X ±0.35                             | X°±3°     |                            |  |       |       |     |
| XX ±0.25                            | X°±2°     | APPROVED BY<br>Ron 3/01'07 | TITLE<br>SPI FLASH SOCKET FOR SOIC 16PIN |       |       |     |
| XXX ±0.15                           | .XX°±1°   | CHECKED BY<br>Kaka 3/01'07 | DWG NO.<br>AP-ACA-SPI-006                |       |       |     |
| SIZE                                | UNITS     | DRAWN BY                   |  | SHEET | SCALE | REV |
| A4                                  | MM [INCH] | Sun 3/01'07                |  | 3 / 4 | 4 : 1 | 8D  |

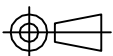


THE HEAD AND TAIL EMPTY 25 PCS

DETAIL "A"

NOTES:

- 1. THE OPERATION OF PACKING REFER THE LEFT PROCESS.
- 2. PACKING LIST.

| DESCRIPTION                                | P/N                       | SPECIFICATION                     | QT*Y(PCS)   |              |              |            |       |       |    |
|--|---------------------------|-----------------------------------|---|--------------|--------------|------------|-------|-------|----|
| PRODUCT                                    | ACA-SPI-006-*             | SEE TABLE 1                       | 1650  |              |              |            |       |       |    |
| CARTON                                     | S09-1-30014-K01           | 340*340*113;K=K                   | 1   |              |              |            |       |       |    |
| REEL                                       | G09-04-30002-02           | W=24.4;13"                        | 3   |              |              |            |       |       |    |
| CARRY TAPE                                 | G09-05-00043-K01          | 24*20*6;PS_CLARITY                | 12*4M   |              |              |            |       |       |    |
| COVER TAPE                                 | G09-05-10004-01           | 0.045*21.3;PE_WHITE               | 12*4M   |              |              |            |       |       |    |
| PE BAG                                     | G09-06-50002-02           | 520*520*460;T=0.05mm              | 1   |              |              |            |       |       |    |
| DUNK COTTON                                | S09-3-30009-K01           | 335*335*10;材EPE                   | 2   |              |              |            |       |       |    |
| DESICCANT                                  | G09-07-00001-01           | 2g/BAG                            | 4BAG  |              |              |            |       |       |    |
| <b>GENERAL TOLERANCES UNLESS SPECIFIED</b> |                           | <b>PART NO.</b><br>SEE TABLE      | <b>LOTES</b>  |              |              |            |       |       |    |
| X ±0.35                                    | X° ±3°                    |                                   |   |              |              |            |       |       |    |
| XX ±0.25                                   | X° ±2°                    |                                   |   |              |              |            |       |       |    |
| XXX ±0.15                                  | .XX° ±1°                  | <b>APPROVED BY</b><br>Ron 3/01'07 | <b>TITLE</b><br>SPI FLASH SOCKET FOR SOIC 16PIN   |              |              |            |       |       |    |
| <b>CUSTOMER DRAWING</b>                    |                           | <b>CHECKED BY</b><br>Kaka 3/01'07 | <b>DWG NO.</b><br>AP-ACA-SPI-006  |              |              |            |       |       |    |
| <b>SIZE</b><br>A4                          | <b>UNITS</b><br>MM [INCH] | <b>DRAWN BY</b><br>Sun 3/01'07    |  <table border="1"> <tr> <td><b>SHEET</b></td> <td><b>SCALE</b></td> <td><b>REV</b></td> </tr> <tr> <td>4 / 4</td> <td>4 : 1</td> <td>8D</td> </tr> </table> | <b>SHEET</b> | <b>SCALE</b> | <b>REV</b> | 4 / 4 | 4 : 1 | 8D |
| <b>SHEET</b>                               | <b>SCALE</b>              | <b>REV</b>                        |   |              |              |            |       |       |    |
| 4 / 4                                      | 4 : 1                     | 8D                                |   |              |              |            |       |       |    |

## X-ON Electronics

Largest Supplier of Electrical and Electronic Components

*Click to view similar products for [Emulators/Simulators](#) category:*

*Click to view products by [LOTES](#) manufacturer:*

Other Similar products are found below :

[QB-78K0RKE3L-TB](#) [ST7MDT2-EMU2B](#) [RTE0T00020KCAA0000J](#) [FU6522L](#) [ACA-SPI-006-K01](#) [WS51](#) [LKS665B](#) [APM32](#) [ASIC](#)  
[emulator](#) [FT8061L](#) [MCU emulator](#) [ASIC emulator\(non-isolated\)](#) [MCU emulator\(non-isolated\)](#) [FU68XX programmer](#) [APM32-geehyLINK](#)  
[SWD-GYGLQ](#) [ACA-SPI-006-K02](#) [STC-USB Link1D4](#) [PUYA](#) [QB-78K0RKG3-TB](#) [7027-D-350](#) [QB-78K0KF2-TB](#) [J-Link ULTRA+](#)  
[CP2102](#) [BH-POE-KIT-1](#) [BH-USB-100v2-ARM](#) [BH-USB-100v2D](#) [BH-USB-200](#) [BH-USB-560v2](#) [BH-XDS-560v2](#) [BH-XDS-560v2-BP](#)  
[S5U1C17001H3100](#) [Btip](#) [VisionSeed S1](#) [ACA-SPI-004-K02](#) [ACA-SPI-004-K01](#) [MINI E-MLX](#) [AC244002](#) [AC244063](#) [AC244064](#)  
[AC244065](#) [AC244066](#) [CWH-UTP-ONCE-HE](#) [TMS320-XDS100-V2](#) [TMS320-XDS100-V3](#) [5S-I-S02B](#) [LDP-12-24DC-2833657](#) [QB-](#)  
[78K0KC2L-TB](#) [QB-78K0SKB1-TB](#) [RTE0T00020KCAC0000J](#)