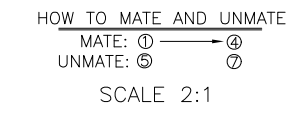
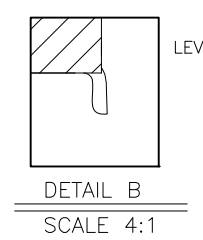
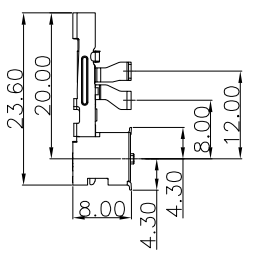
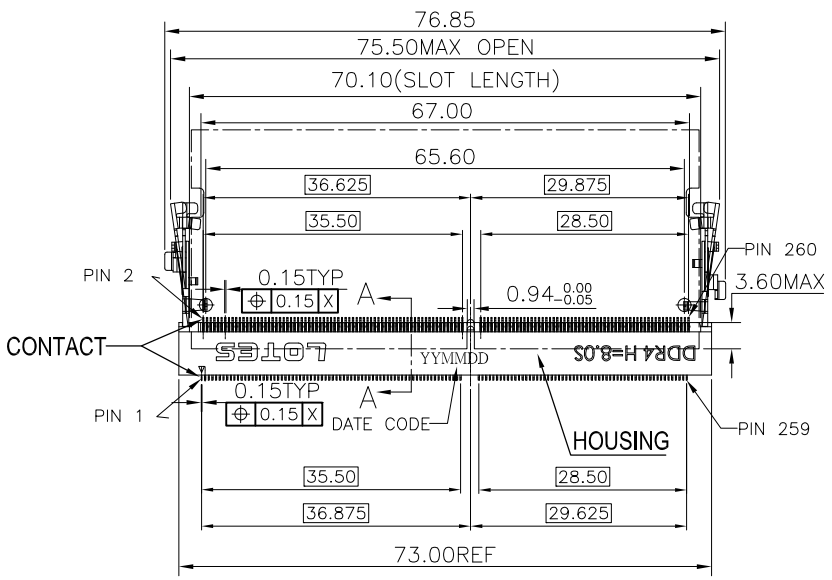
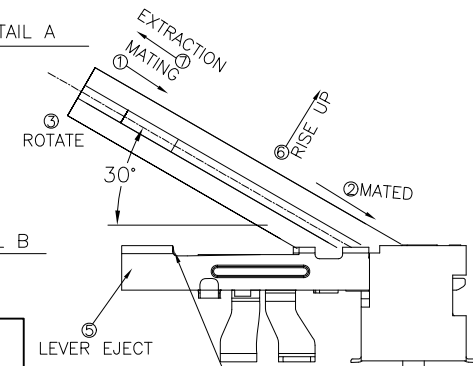
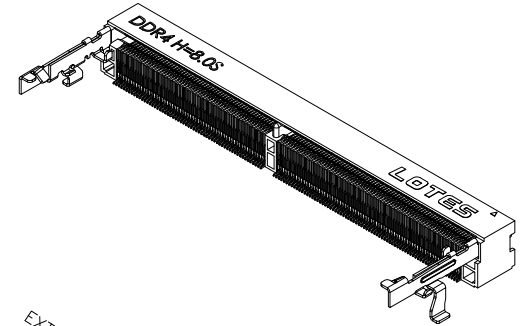
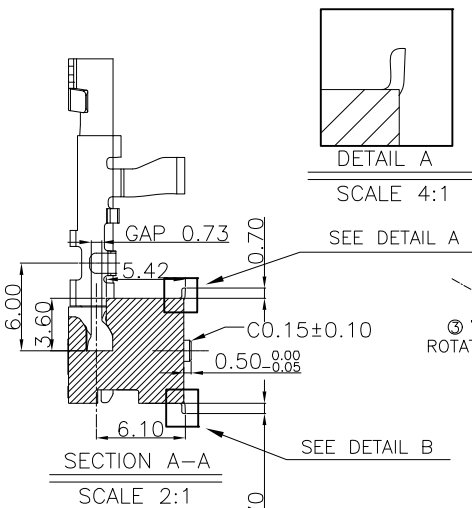
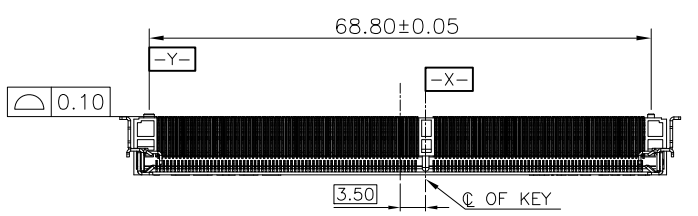
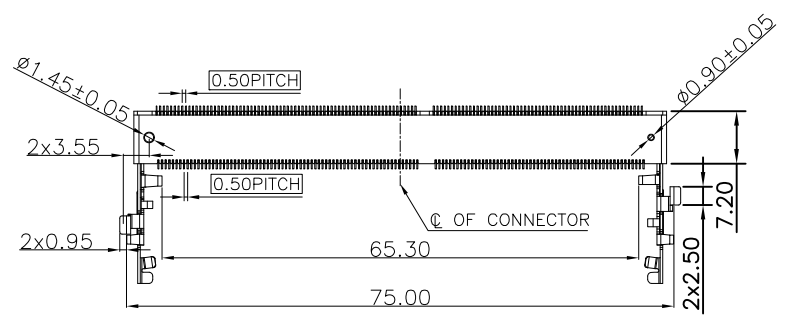


| REV. | ECR/N NO./DESCRIPTION | DATE | DRAWN | CHECKED | APPROVE |
|------|-----------------------|----------|-------|---------|---------|
| J | RD140** | 06/11'15 | XU | Vito | Barney |
| K | RD140** | 10/07'15 | XU | Vito | Barney |
| L | RD140** | 01/14'16 | MENG | Vito | Barney |



| | | | | | |
|-------------------------------------|--------------------|-----------------------|---------------------------------------|------------------------|----------|
| GENERAL TOLERANCES UNLESS SPECIFIED | | PART NO. SEE TABLE | LOTES | | |
| X ± 0.35 | X° ± 3° | | | | |
| .XX ± 0.25 | X° ± 2° | APPROVED BY Barney | TITLE SODDR4 8.0H 260 PIN STD TYPE | | |
| .XXX ± 0.15 | .XX° ± 1° | | CHECKED BY Vito | DWG NO. AP-ADDR0069 | |
| CUSTOMER DRAWING | | DRAWN BY XU | SHEET 1 / 5 | SCALE 1 : 1 | REV L |
| SIZE A4 | UNITS MM [INCH] | | | | |

NOTES:

1.MATERIALS:

HOUSING: LCP,UL 94V-0.

CONTACT: BRASS C2680.

LATCH: STAINLESS STEEL SUS301.

2.FINISH:

1)CONTACT:UNDERPLATED NICKEL 50~150u",
 PLATING ON SOLDER AREA:SEE TABLE
 GOLD PLATING ON CONTACT AREA:SEE TABLE

2)LATCH:UNDERPLATED NICKEL 50~150u",MATTE TIN 80u" MIN.

3.ELECTRICAL PERFORMANCE

LLCR INITIAL 50mΩ MAX PER CONTACT.

FINAL ΔLLCR=20mΩ MAX

4.MECHANICAL PERFORMANCE,

MATING & UNMATING FORCE: 6.1 Kgf MAX.

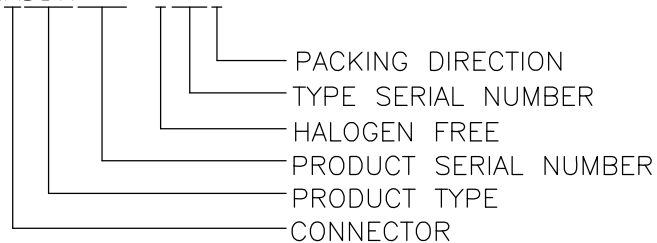
5.IR REFLOW:

THE PEAK TEMPRATURE ON THE BOARD SHALL BE
 MAINTAINED FOR 10 SECONDS AT 260±5°C.

6. DC: XXXXXX



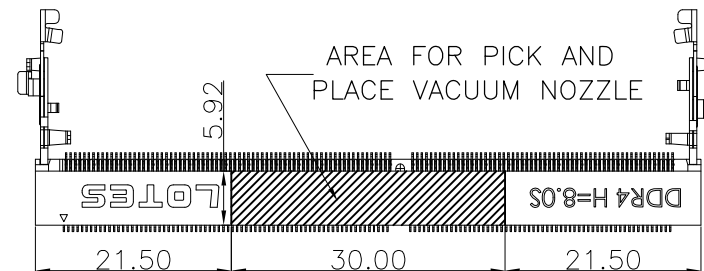
7.PRODUCT NUMBER NOTE:ADDR****-****



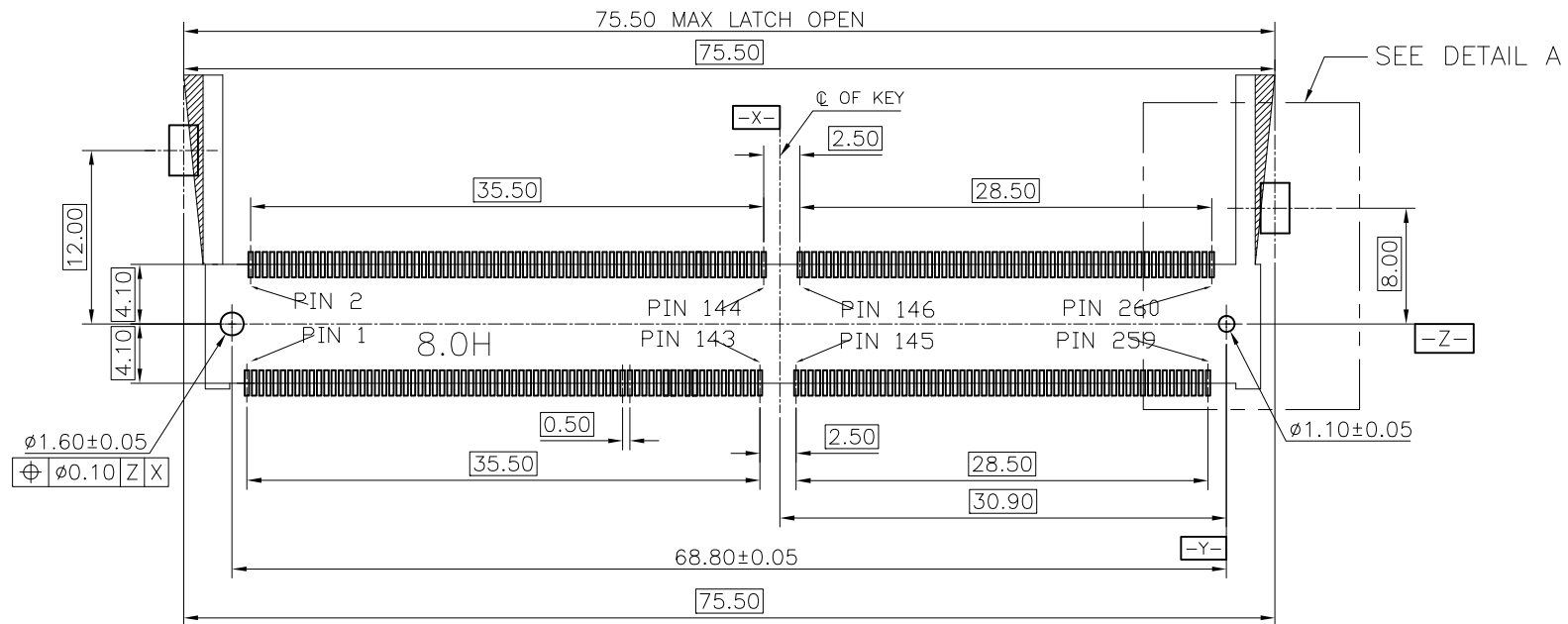
8.RoHS COMPLIANT.
 HF COMPLIANT.

TABLE:

| NO. | PART NO. | COLOR | DESCRIPTION |
|-----|----------------|-------|---------------------------|
| 1 | ADDR0069-P009A | BLACK | GOLD G/F ON CONTACT AREA |
| | | | GOLD G/F ON SOLDER AREA |
| 2 | ADDR0069-P010A | BLACK | GOLD 10u" ON CONTACT AREA |
| | | | GOLD G/F ON SOLDER AREA |
| 3 | ADDR0069-P011A | BLACK | GOLD 15u" ON CONTACT AREA |
| | | | GOLD G/F ON SOLDER AREA |
| 4 | ADDR0069-P012A | BLACK | GOLD 30u" ON CONTACT AREA |
| | | | GOLD G/F ON SOLDER AREA |
| 5 | ADDR0069-P014A | WHITE | GOLD G/F ON CONTACT AREA |
| | | | GOLD G/F ON SOLDER AREA |
| 6 | ADDR0069-P015A | WHITE | GOLD 10u" ON CONTACT AREA |
| | | | GOLD G/F ON SOLDER AREA |
| 7 | ADDR0069-P016A | WHITE | GOLD 15u" ON CONTACT AREA |
| | | | GOLD G/F ON SOLDER AREA |
| 8 | ADDR0069-P017A | WHITE | GOLD 30u" ON CONTACT AREA |
| | | | GOLD G/F ON SOLDER AREA |

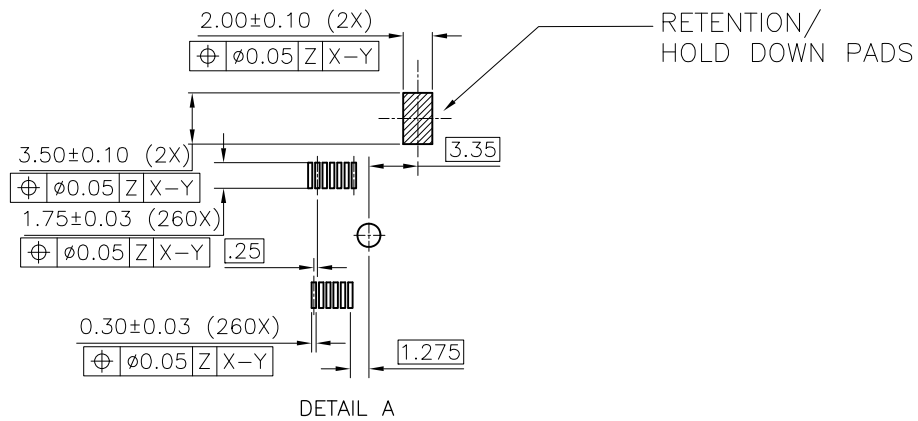


| | | | | | |
|-------------------------------------|--------------------|-----------------------|--|----------------|----------|
| GENERAL TOLERANCES UNLESS SPECIFIED | | PART NO. SEE TABLE | LOTES | | |
| x ± 0.35 | x.° ± 3° | | | | |
| .xx ± 0.25 | x.° ± 2° | APPROVED BY Barney | TITLE SODDDR4 8.0H 260 PIN STD TYPE | | |
| .xxx ± 0.15 | .xx.° ± 1° | CHECKED BY Vito | DWG NO. AP-ADDR0069 | | |
| CUSTOMER DRAWING | | DRAWN BY XU | SHEET 2 / 5 | SCALE 5 : 4 | REV L |
| SIZE A4 | UNITS MM [INCH] | | | | |

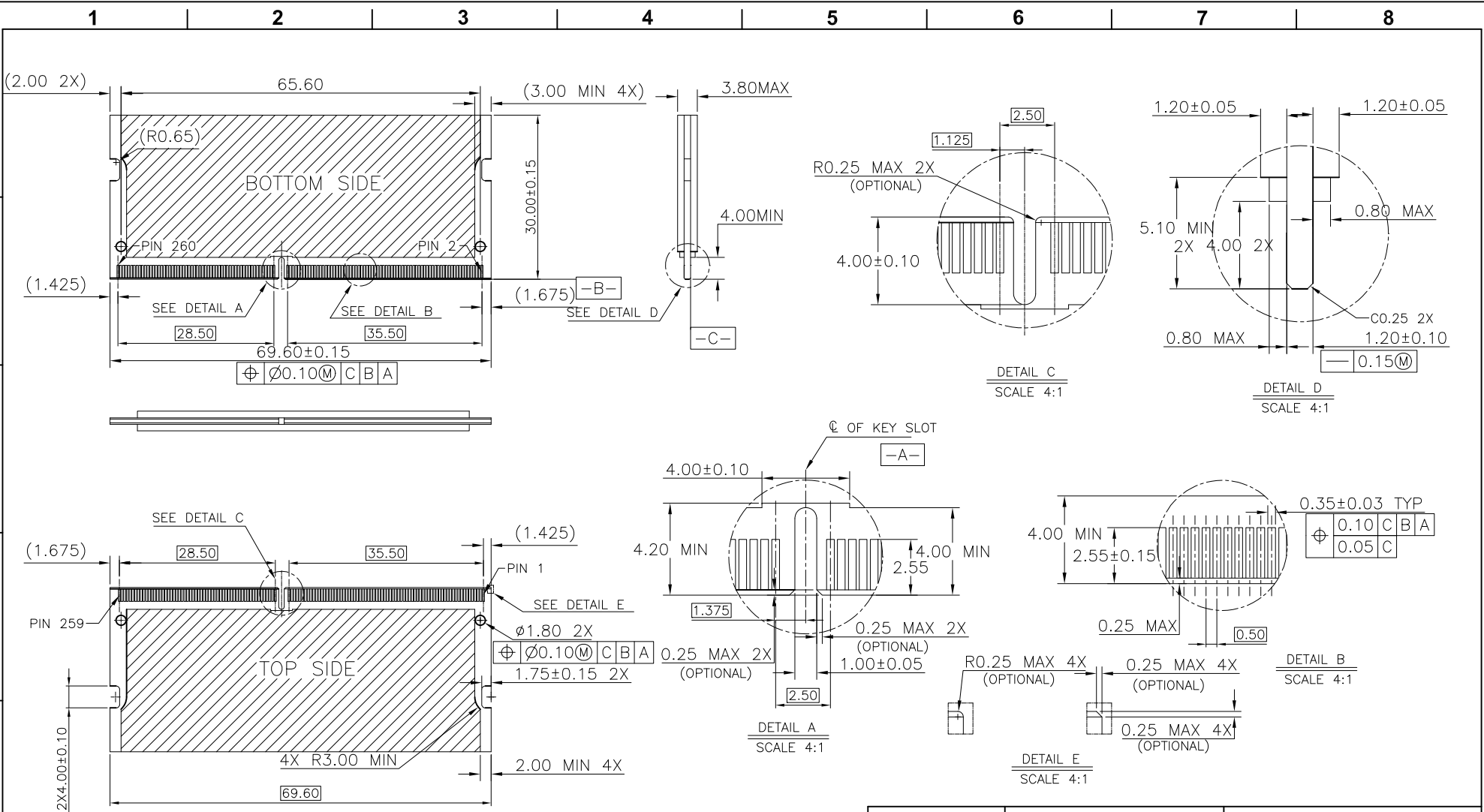


SCALE 2:1

TOP VIEW
RECOMMEND PCB LAYOUT (STANDARD)
THE TOLERANCES UNLESS SPECIFIED IS $\pm 0.05\text{MM}$

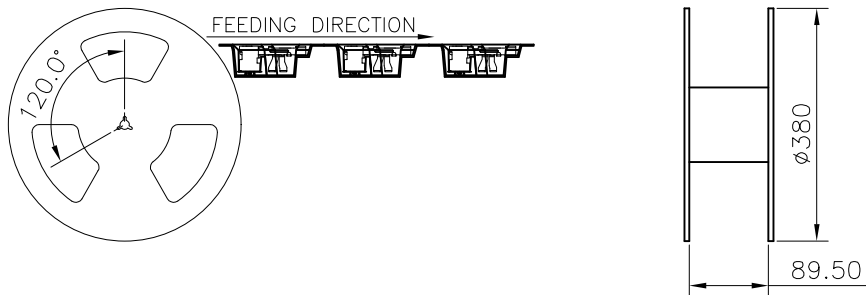
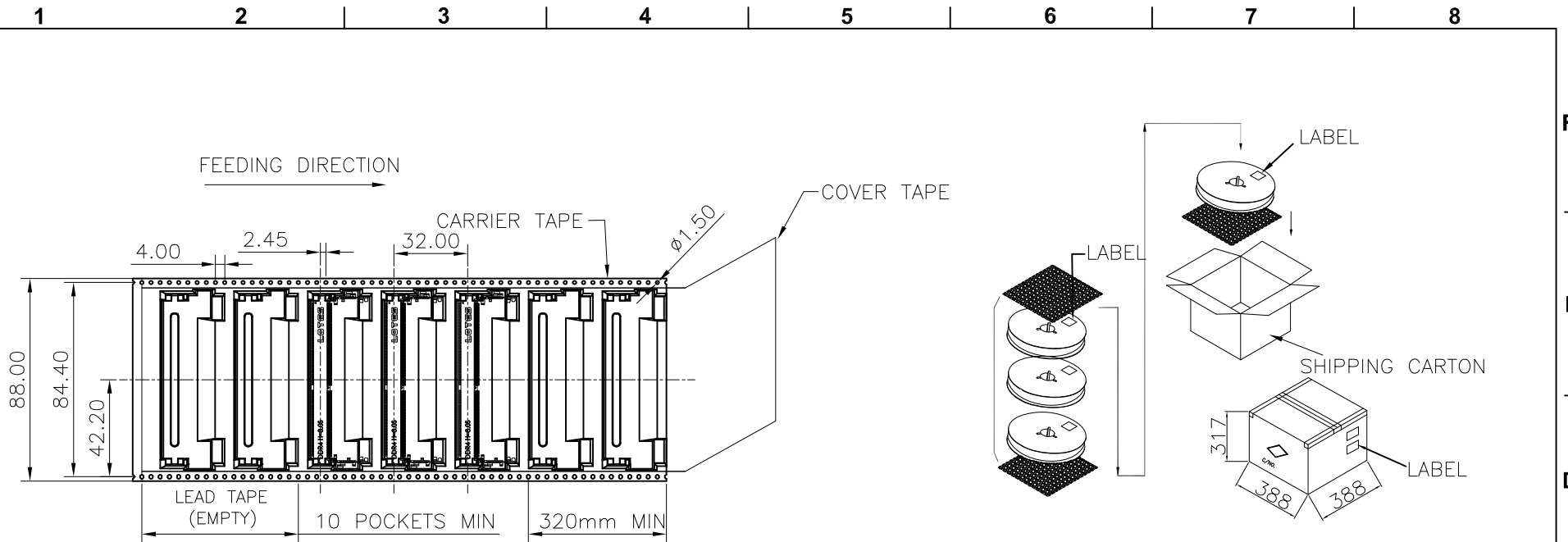


| | | | | | | |
|-------------------------------------|--------------------|-----------------------|---------------------------------------|-------|-------|-----|
| GENERAL TOLERANCES UNLESS SPECIFIED | | PART NO. SEE TABLE | LOTES | | | |
| X ± 0.35 | X° ± 3° | | | | | |
| .XX ± 0.25 | X° ± 2° | APPROVED BY Barney | TITLE SODDR4 8.0H 260 PIN STD TYPE | | | |
| .XXX ± 0.15 | .XX° ± 1° | CHECKED BY Vito | DWG NO. AP-ADDR0069 | | | |
| CUSTOMER DRAWING | | DRAWN BY XU | | SHEET | SCALE | REV |
| SIZE A4 | UNITS MM [INCH] | | | 3 / 5 | 1 : 1 | L |



- DDR4 MODULE NOTES:
1. TOLERANCE ON ALL DIMENSIONS ±0.15 UNLESS OTHERWISE SPECIFIED;
 2. PCB THICKNESS APPLIES ACROSS TABS AND INCLUDES PLATING AND/OR METALIZATION;
 3. FINISH OF PAD: Au PLATING 30u" min OVER NI PLATING 80u" min;
 4. NO BURR;
 5. CHAMFER 0.25mm max. X 45° IF EXIST.

| | | | | | | |
|-------------------------------------|--------------------|-----------------------|---------------------------------------|-------|-------|-----|
| GENERAL TOLERANCES UNLESS SPECIFIED | | PART NO. SEE TABLE | LOTES | | | |
| X ± 0.35 | X° ± 3° | | | | | |
| .XX ± 0.25 | X° ± 2° | APPROVED BY Barney | TITLE SODDR4 8.0H 260 PIN STD TYPE | | | |
| .XXX ± 0.15 | .XX° ± 1° | CHECKED BY Vito | DWG NO. AP-ADDR0069 | | | |
| CUSTOMER DRAWING | | DRAWN BY XU | | SHEET | SCALE | REV |
| SIZE A4 | UNITS MM [INCH] | | | 4 / 5 | 1 : 1 | L |



NOTES:

1. MATERIAL :
 - 1.1 CARRY TAPE: PS
 - 1.2 COVER TAPE: PET
 - 1.3 SHIPPING CARTON: CORRUGATED FIBER
2. DIMENSION :
 - 2.1 REEL: W=88.0, $\phi A=380$
 - 2.2 SHIPPING CARTON: L=388, W=388, H=317 (INNER)
3. QUANTITY :
 - 3.1 PRIMARY PACKING: 270 PCS/REEL
 - 3.2 SECONDARY PACKING: 3 REELS/CARTON(810PCS)
4. PEELING RESISTANCE: 20gf~120gf.
5. PEELING SPEED: 300mm/minutes.

| | | | | | | |
|--|-------------|-----------------------|---------------------------------------|-------|-------|-----|
| GENERAL TOLERANCES UNLESS SPECIFIED | | PART NO. SEE TABLE | LOTES | | | |
| X ± 0.35 | X° ± 3° | | | | | |
| .XX ± 0.25 | X° ± 2° | APPROVED BY Barney | TITLE SODDR4 8.0H 260 PIN STD TYPE | | | |
| .XXX ± 0.15 | .XX° ± 1° | CHECKED BY Vito | DWG NO. AP-ADDR0069 | | | |
| CUSTOMER DRAWING | | DRAWN BY XU | | SHEET | SCALE | REV |
| SIZE A4 | UNITS MM | | | 5 / 5 | N/A | L |

X-ON Electronics

Largest Supplier of Electrical and Electronic Components

Click to view similar products for [Standard Card Edge Connectors](#) category:

Click to view products by [LOTES](#) manufacturer:

Other Similar products are found below :

[CR7E-30DB-3.96E\(72\)](#) [6565204-6](#) [1437274-4](#) [EBT15622B2X](#) [1-582587-1](#) [284-0102-12100](#) [286-0052-12101A](#) [306022901000000](#) [307-012-502-202](#) [307-056-520-300](#) [A6D22DS29C2](#) [1926088-2](#) [287-0032-12101](#) [345-060-559-303](#) [392-008-559-201](#) [534671-1](#) [341-240-317](#) [345-044-500-300](#) [346-240-318](#) [387-012-523-300](#) [395-100-524-300](#) [09-07-2032](#) [10035388-802LF](#) [10115859-011LF](#) [10122859-009LF](#) [101269333204245CLF](#) [530555-1](#) [66925-516LF](#) [5145409-2](#) [73726-0005](#) [66308-1](#) [5036A30](#) [PEC-07-02-T-S-A](#) [346-014-520-801](#) [KSLX-62-BR](#) [307-048-502-202](#) [CE100F26-7-C](#) [CE100F28-3-D](#) [CE100F28-4-D](#) [CE156F18-9-C](#) [CE156F22-5-D](#) [CE156F22-9-C](#) [CT100F22-2-D](#) [CT100F22-3-D](#) [CT100F24-2-D](#) [CT100F24-3-D](#) [CT100F24-6-C](#) [CT156F22-4-D](#) [MLSS100-12-C](#) [MLSS100-16-C](#)