

REV.	ECN NO./DESCRIPTION	DATE
K	R131054	10/13'15
L	R131054	11/11'15
M	R131054	06/15'16

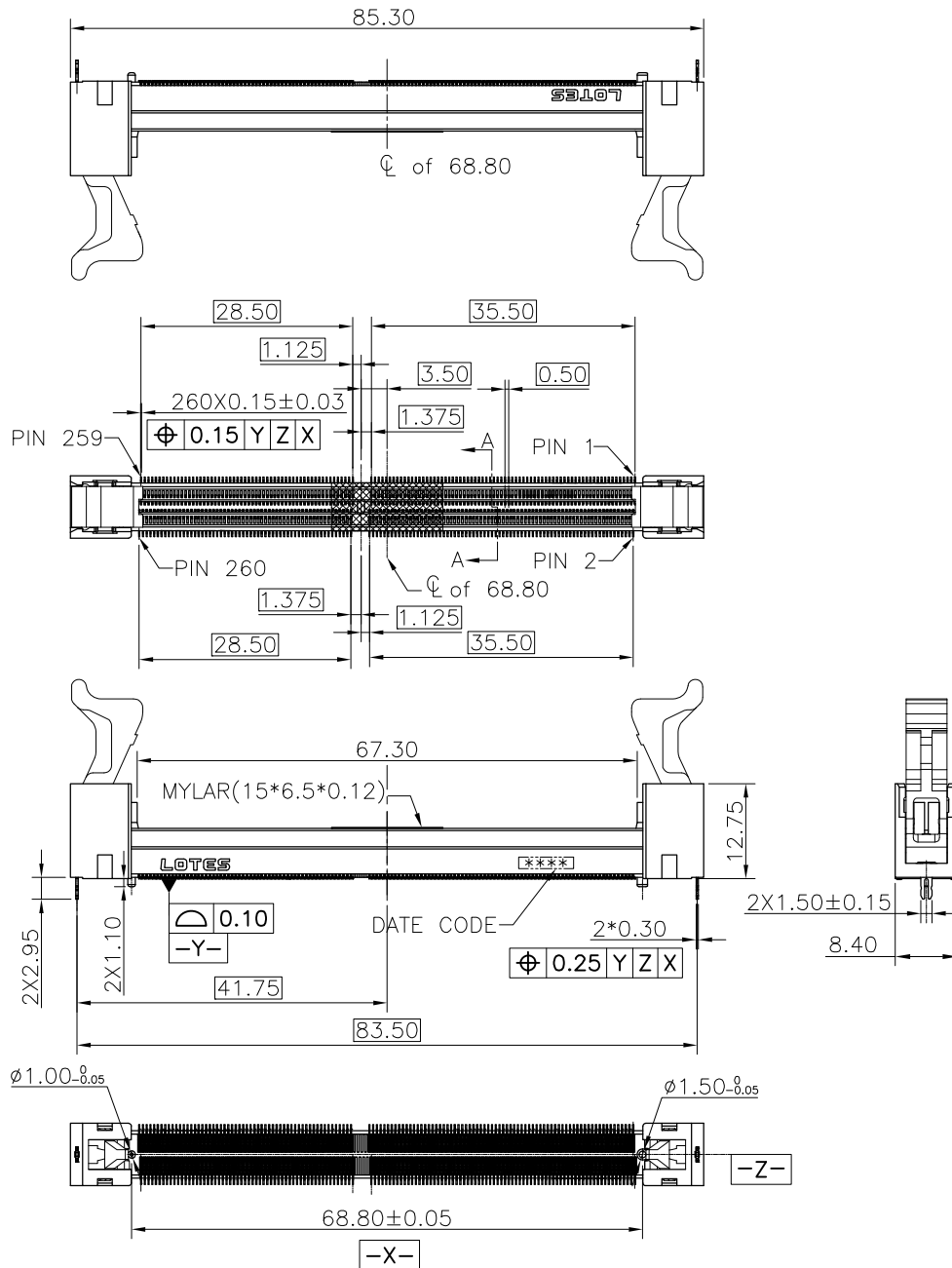
NOTES:

- MATERIAL SPECIFICATION:
  - HOUSING: LCP+40%GF,UL94V-0,COLOR: BLACK.
  - CONTACTS:COPPER\_C7025;
  - HOOK: BRASS\_C2680;
  - EJECTOR: HIGH TEMPERATURE THERMOPLASTIC (SEE TABLE1), UL94V-0, COLOR: SEE TABLE1.
  - MYLAR: INSULATOR MATERIAL, COLOR: BROWN,UL94V-0;
- PLATING SPECIFICATION:
  - CONTACT: NICKEL 50u" MIN. UNDER PLATING OVER ALL.MATTE TIN 100u" MIN. PLATING ON SOLDER AREA.GOLD PLATING SEE TABLE1.
  - HOOK: NICKEL 50u" MIN. UNDER PLATING OVER ALL. MATTE TIN 100u" MIN. PLATING OVER ALL.
- RoHS OR HF COMPLIANT;
- DATE CODE: \*\*\*\*  
 WEEK  
 YEAR
- MECHANICAL PERFORMANCE:
  - MATING FORCE: 11Kgf MAX..
  - DURABILITY: 25 CYCLES.
- ELECTRICAL PERFORMANCE:
  - CURRENT: 0.30A MAX. PER PIN.
  - VOLTAGE: 25V AC MAX..
  - LLCR: 55mΩ MAX. (INITIAL); Δ20mΩ MAX. (FINAL).
  - DIELECTRIC WITHSTANDING VOLTAGE: 250V AC FOR 1 MINUTE.
  - INSULATION RESISTANCE: DC 500V 500MΩ MIN..
- RECOMMENDED PROCESS;  
 THE TEMPERATURE SHALL BE 260±5°C MAINTAINING 10±1 SECONDS.
- PRODUCT NUMBER NOTE:

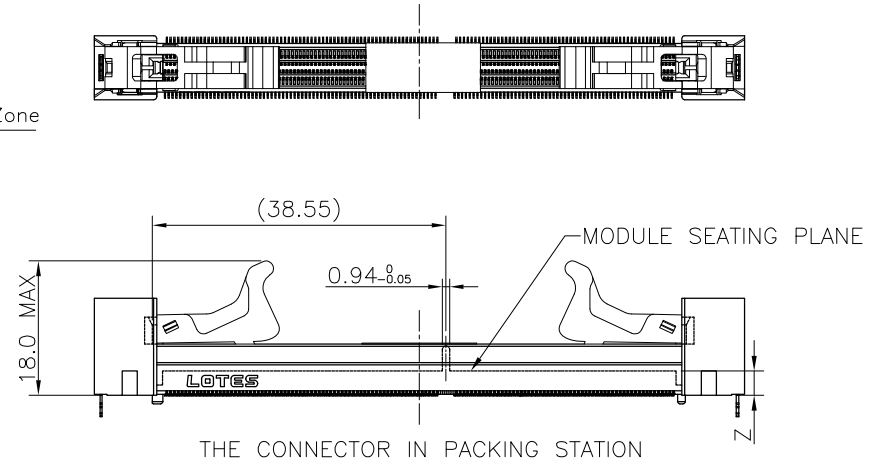
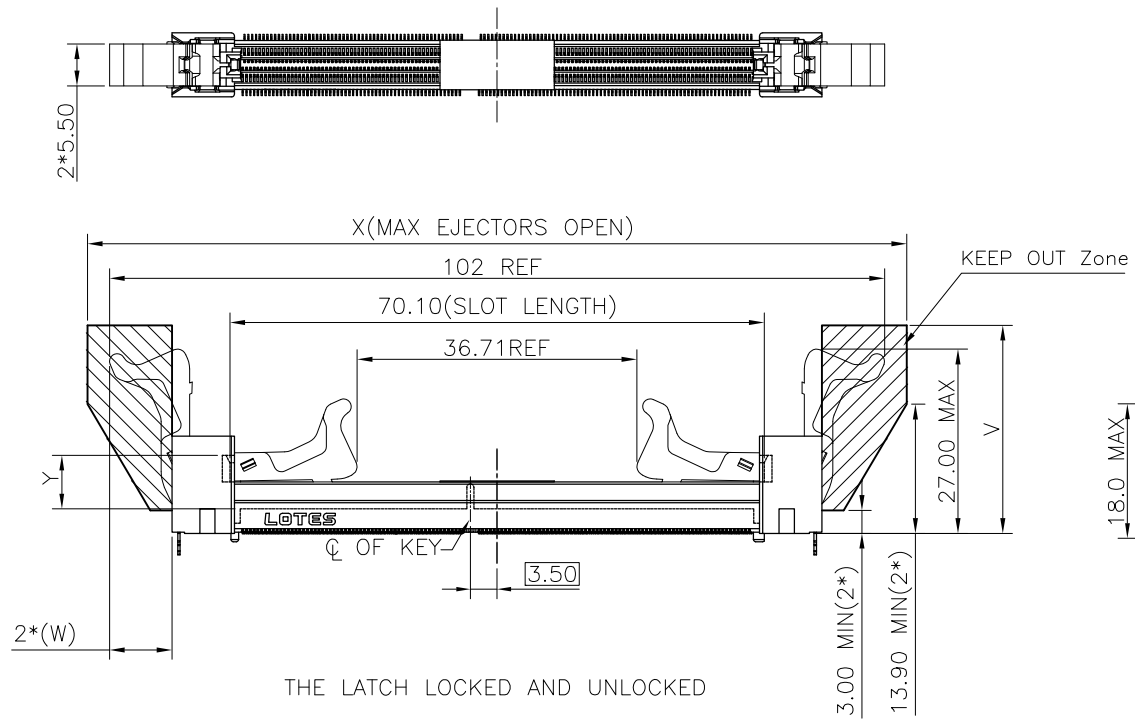
A D D R X X X X X X X X X X

- PACKAGE TYPE
- PRODUCT SERIAL NUMBER
- K: RoHS COMPLIANT/P: HF COMPLIANT
- PRODUCT CODE
- PRODUCT TYPE
- CONNECTOR

GENERAL TOLERANCES UNLESS SPECIFIED		PART NO.	<b>LOTES</b>			
.X ± 0.35	X.° ± 3°	SEE TABLE1				
.XX ± 0.25	.X.° ± 2°	APPROVED BY	TITLE VERTICAL SODDR4 CONNECTOR			
.XXX ± 0.15	.XX.° ± 1°	DEFANG.HU				
CUSTOMER DRAWING		CHECKED BY	DWG NO. GAP-ADDR0075			
		LIMING.ZHANG				
SIZE	UNITS	DRAWN BY	SHEET SCALE REV			
A4	MM[INCH]	RONGMEI.ZHANG				
				1 / 5	1:1	M



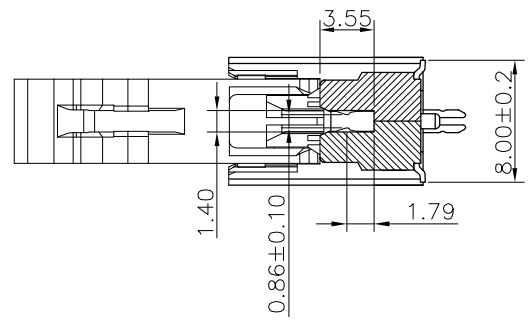
REV.	ECN NO./DESCRIPTION	DATE
K	R131054	10/13'15
L	R131054	11/11'15
M	R131054	06/15'16



NOTES:

△ A MINIMUM HEIGHT OF Y MEASURED TO THE HIGHEST POINT OF THE SOCKET TO MODULE ENGAGEMENT IS REQUIRED TO PREVENT THE MEMORY MODULE TILTING RELATIVE TO DATUM B OF THE SOCKET.

△ DIMENSION IS FROM THE BOTTOM OF THE SOCKET PCB REFERENCE, DATUM A, TO THE SEATING PLANE OF THE SODDR4 DIMM IN THE SOCKET.



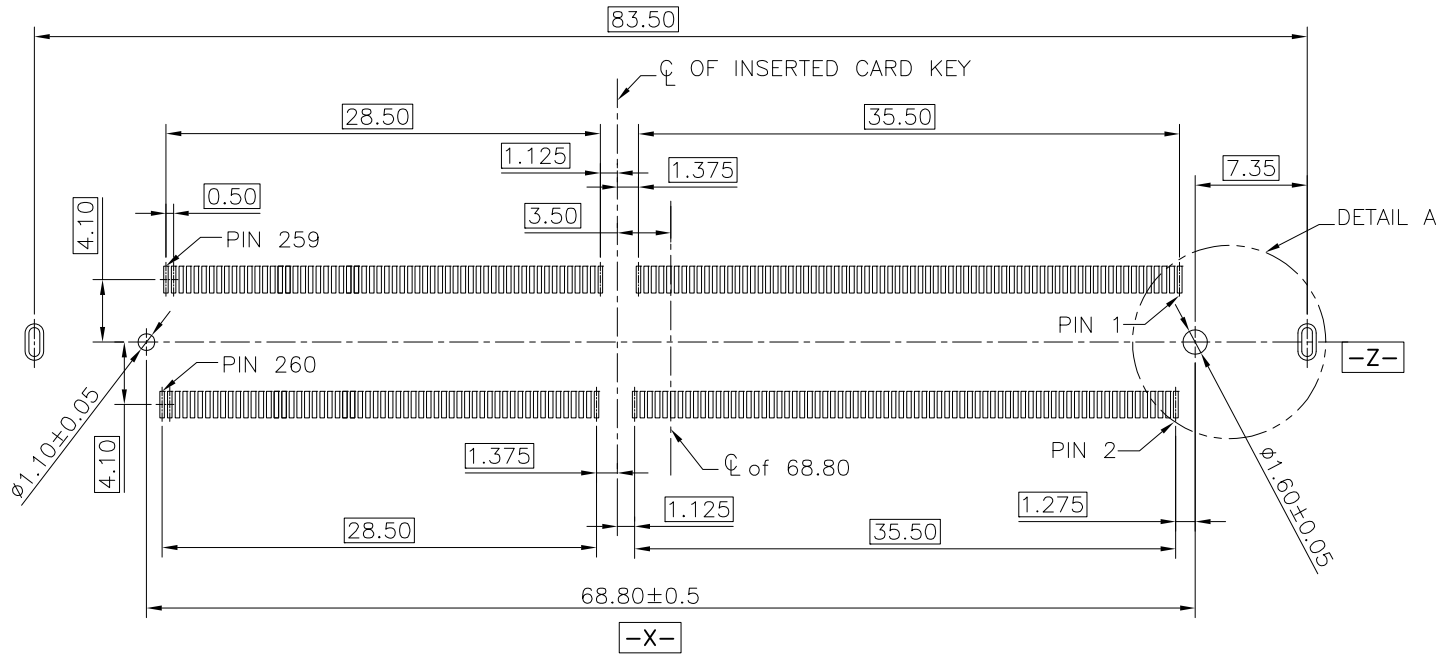
SECTION A-A  
SCALE 2:1

TABLE 2:

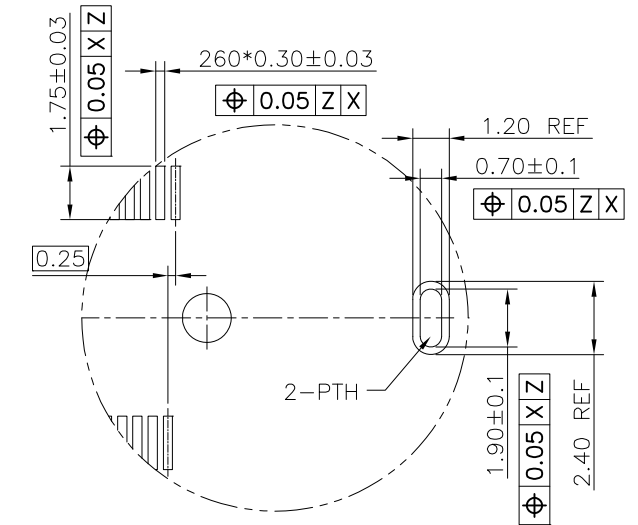
VARIATIONS				
SYMBOL	MIN	NOM	MAX	NOTES
X			107.00	
Y	6.80			△
V			28.00	
W	8.5 REF			
Z			3.55	△

GENERAL TOLERANCES UNLESS SPECIFIED		PART NO.	<b>LOTES</b>		
.X ± 0.35	X.° ± 3°	SEE TABLE 1			
.XX ± 0.25	.X.° ± 2°	APPROVED BY DEFANG.HU	TITLE VERTICAL SODDR4 CONNECTOR		
.XXX ± 0.15	.XX.° ± 1°	CHECKED BY LIMING.ZHANG	DWG NO. GAP-ADDR0075		
SIZE	UNITS	DRAWN BY RONGMEI.ZHANG	SHEET 2 / 5	SCALE 1:1	REV M
A4	MM[INCH]				

REV.	ECN NO./DESCRIPTION	DATE
K	R131054	10/13'15
L	R131054	11/11'15
M	R131054	06/15'16



RECOMMENDED PCB LAYOUT (TOP VIEW)  
DEFAULT TOLERANCES:±0.05MM



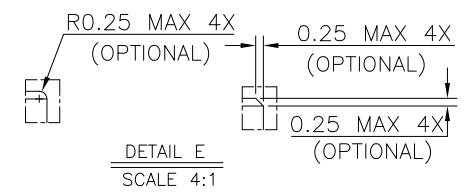
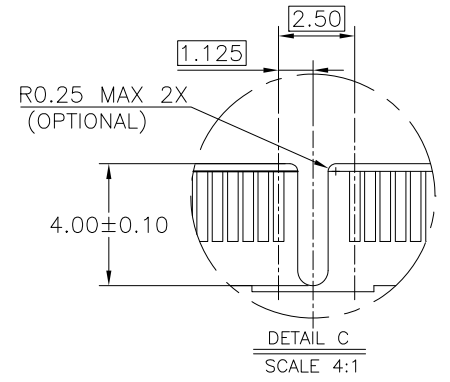
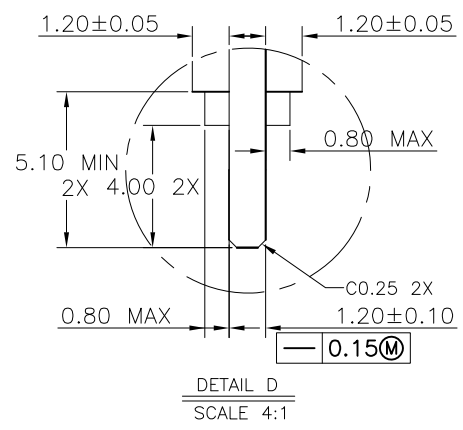
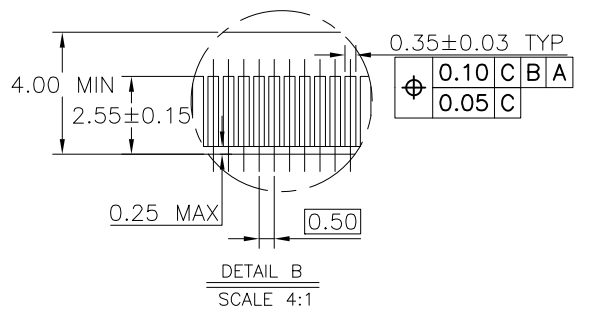
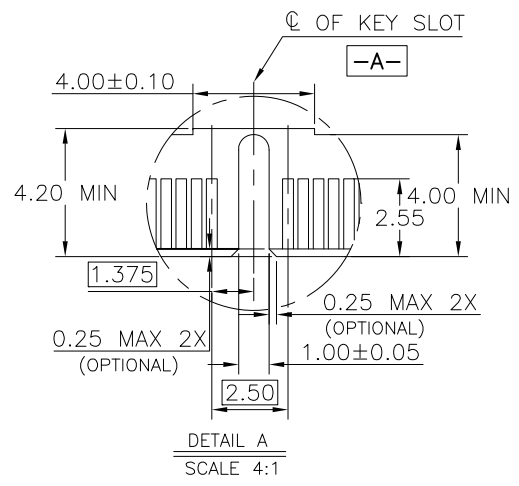
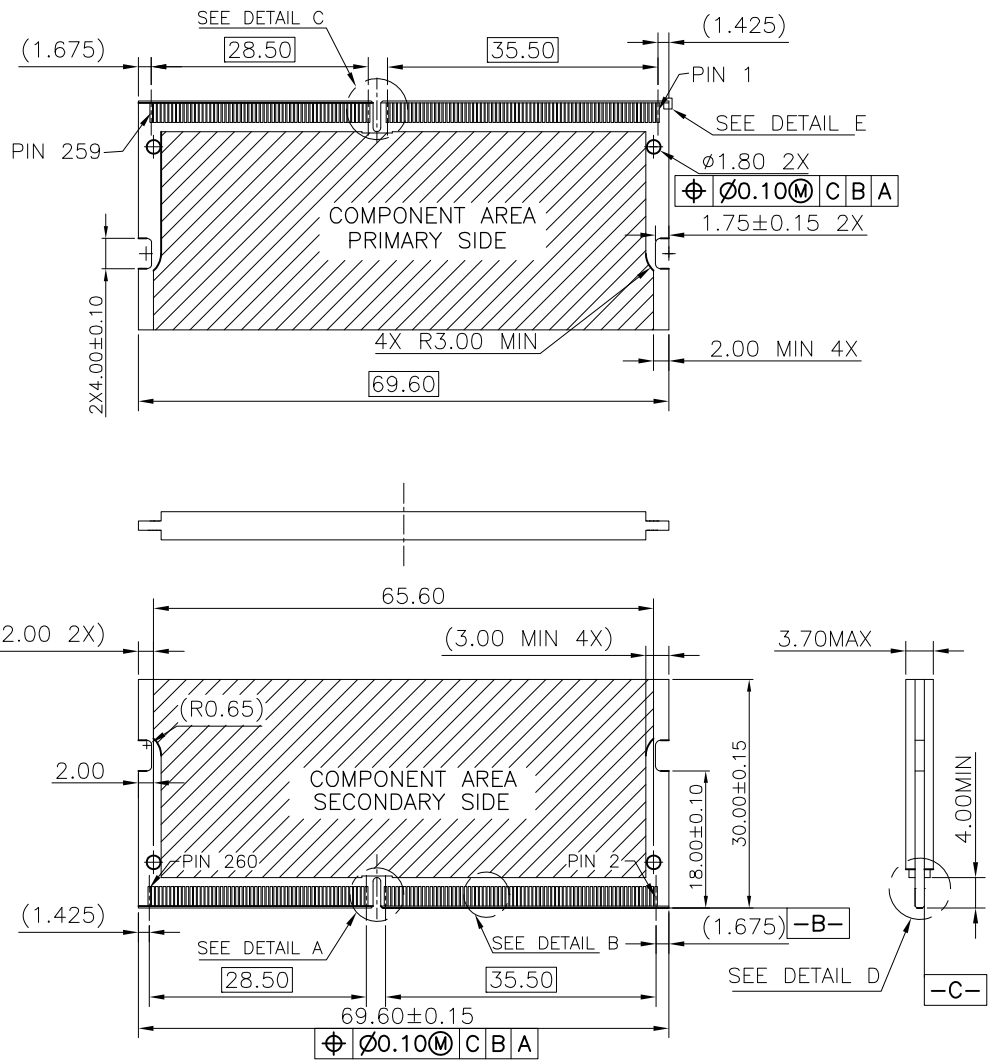
DETAIL A  
SCALE 2:1

TABLE 1:

NO.	PART NO.	DESCRIPTION
5	ADDR0075-P004C	LCP_BLACK,Au30u",EJECTOR PA9T BLACK
4	ADDR0075-P002C	LCP_BLACK,Au30u",EJECTOR PPA WHITE
3	ADDR0075-P003C	LCP_BLACK,Au15u",EJECTOR PA9T BLACK
2	ADDR0075-K002C	LCP_BLACK,Au15u",EJECTOR PA9T BEIGE
1	ADDR0075-P001C	LCP_BLACK,Au15u",EJECTOR PPA WHITE

GENERAL TOLERANCES UNLESS SPECIFIED		PART NO.	<b>LOTES</b>			
.X ± 0.35	X.° ± 3°	SEE TABLE1				
.XX ± 0.25	.X.° ± 2°	APPROVED BY DEFANG.HU	TITLE VERTICAL SODDR4 CONNECTOR			
.XXX ± 0.15	.XX.° ± 1°	CHECKED BY LIMING.ZHANG	DWG NO. GAP-ADDR0075			
CUSTOMER DRAWING		DRAWN BY RONGMEI.ZHANG		SHEET	SCALE	REV
SIZE A4	UNITS MM[INCH]			3 / 5	2:1	M

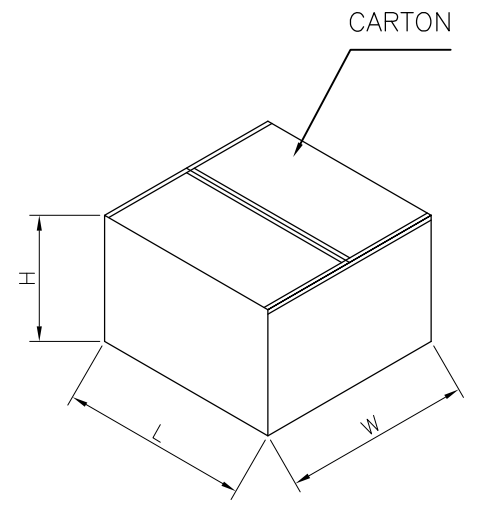
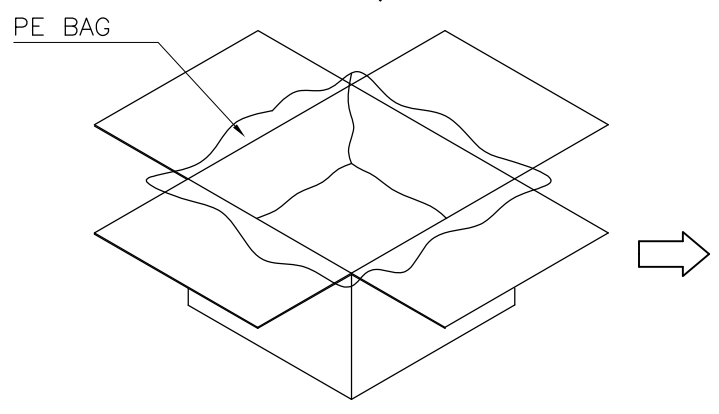
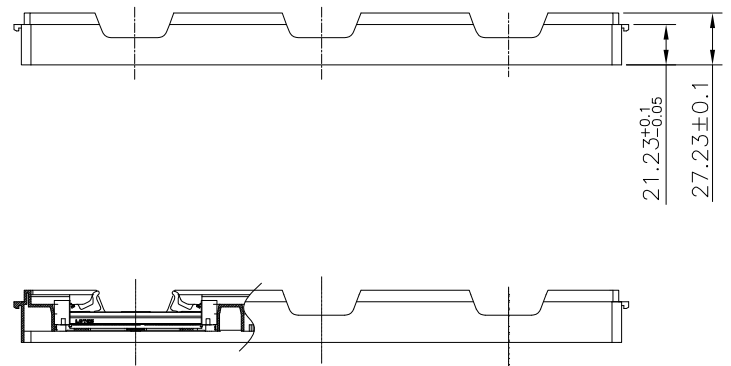
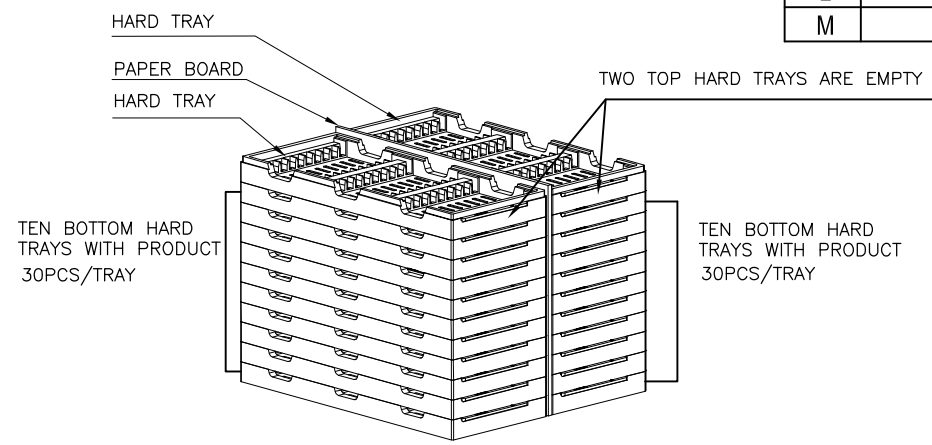
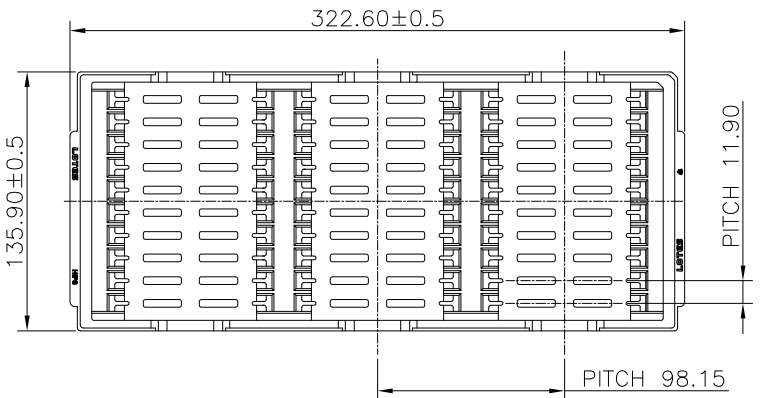
REV.	ECN NO./DESCRIPTION	DATE
K	R131054	10/13'15
L	R131054	11/11'15
M	R131054	06/15'16



- MATING P.C.B NOTES:
1. TOLERANCE ON ALL DIMENSIONS  $\pm 0.05$  UNLESS OTHERWISE SPECIFIED;
  2. PCB THICKNESS APPLIES ACROSS TABS AND INCLUDES PLATING AND/OR METALIZATION;
  3. FINISH OF PAD: Au PLATING 30u"min OVER Ni PLATING 80u" MIN.;
  4. NO BURR.
  5. CHAMFER 0.25mm max. X 45° IF EXIST.

GENERAL TOLERANCES UNLESS SPECIFIED		PART NO.	<b>LOTES</b>		
.X ± 0.35	X° ± 3°	SEE TABLE1			
.XX ± 0.25	.X° ± 2°	APPROVED BY	TITLE VERTICAL SODDR4 CONNECTOR		
.XXX ± 0.15	.XX° ± 1°	DEFANG.HU			
CUSTOMER DRAWING		CHECKED BY	DWG NO. GAP-ADDR0075		
		LIMING.ZHANG			
SIZE	UNITS	DRAWN BY	SHEET SCALE REV		
A4	MM[INCH]	RONGMEI.ZHANG			
			4 / 5	1:1	M

REV.	ECN NO./DESCRIPTION	DATE
K	R131054	10/13'15
L	R131054	11/11'15
M	R131054	06/15'16



5	PE BAG	G09-6-50002-K02	400*350*350 T=0.04	1 PCS
4	CARTON	G09-1-25006-P01	285*325*255;K=A	1 PCS
3	PAPER BOARD	G09-3-30018-P01	300*270*6	3 PCS
2	HARD TRAY	G09-A-30164-K01	322.6*135.9*27.23;HIPS_BLACK	22 PCS
1	CONNECTOR	SEE TABLE 1	SEE TABLE 1	600 PCS
NO.	DESCRIPTION	PART NO.	SPECIFICATION	QT'Y

GENERAL TOLERANCES UNLESS SPECIFIED		PART NO.	<b>LOTES</b>			
.X ± 0.35	X.° ± 3°	SEE TABLE1				
.XX ± 0.25	.X.° ± 2°	APPROVED BY DEFANG.HU	TITLE VERTICAL SODDR4 CONNECTOR			
.XXX ± 0.15	.XX.° ± 1°	CHECKED BY LIMING.ZHANG	DWG NO. GAP-ADDR0075			
CUSTOMER DRAWING		DRAWN BY RONGMEI.ZHANG		SHEET	SCALE	REV
SIZE A4	UNITS MM[INCH]			5/ 5	1:2	M

## X-ON Electronics

Largest Supplier of Electrical and Electronic Components

*Click to view similar products for [Standard Card Edge Connectors](#) category:*

*Click to view products by [LOTES](#) manufacturer:*

Other Similar products are found below :

[CR7E-30DB-3.96E\(72\)](#) [6565204-6](#) [1437274-4](#) [EBT15622B2X](#) [1-582587-1](#) [284-0102-12100](#) [286-0052-12101A](#) [306022901000000](#) [307-012-502-202](#) [307-056-520-300](#) [A6D22DS29C2](#) [1926088-2](#) [287-0032-12101](#) [345-060-559-303](#) [392-008-559-201](#) [534671-1](#) [341-240-317](#) [345-044-500-300](#) [346-240-318](#) [387-012-523-300](#) [395-100-524-300](#) [09-07-2032](#) [10035388-802LF](#) [10115859-011LF](#) [10122859-009LF](#) [101269333204245CLF](#) [530555-1](#) [66925-516LF](#) [5145409-2](#) [73726-0005](#) [66308-1](#) [5036A30](#) [PEC-07-02-T-S-A](#) [346-014-520-801](#) [KSLX-62-BR](#) [307-048-502-202](#) [CE100F26-7-C](#) [CE100F28-3-D](#) [CE100F28-4-D](#) [CE156F18-9-C](#) [CE156F22-5-D](#) [CE156F22-9-C](#) [CT100F22-2-D](#) [CT100F22-3-D](#) [CT100F24-2-D](#) [CT100F24-3-D](#) [CT100F24-6-C](#) [CT156F22-4-D](#) [MLSS100-12-C](#) [MLSS100-16-C](#)