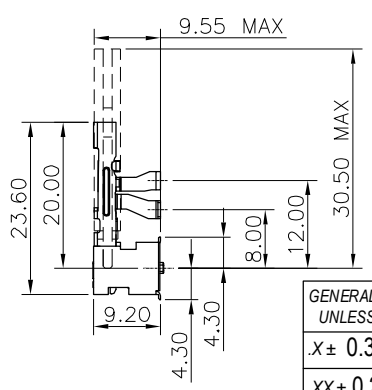
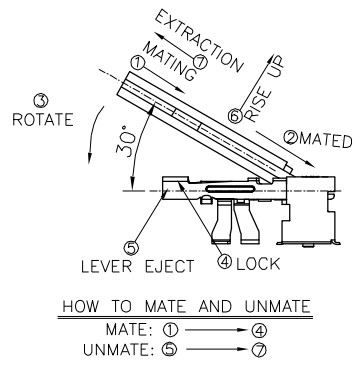
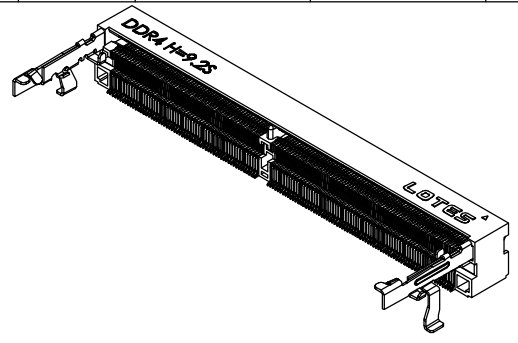
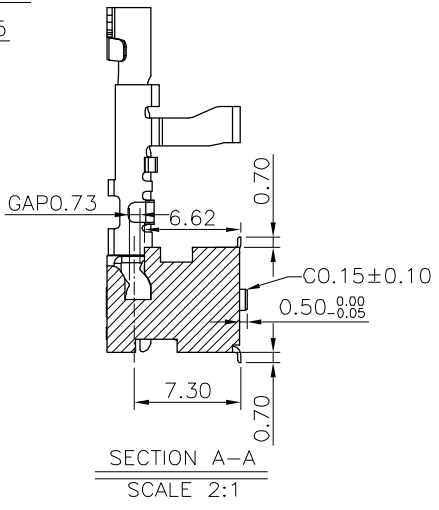
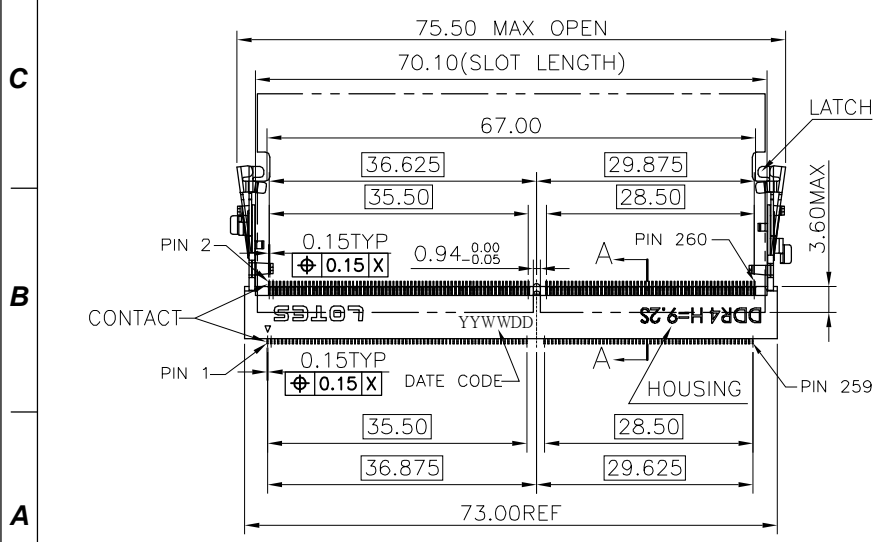
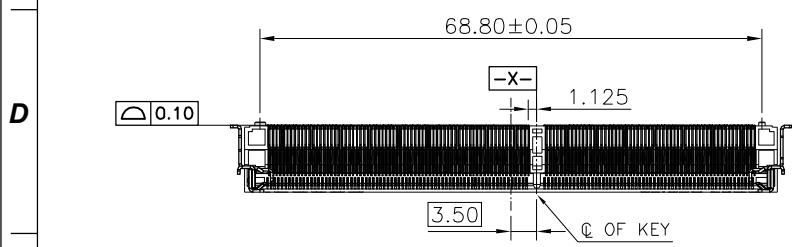
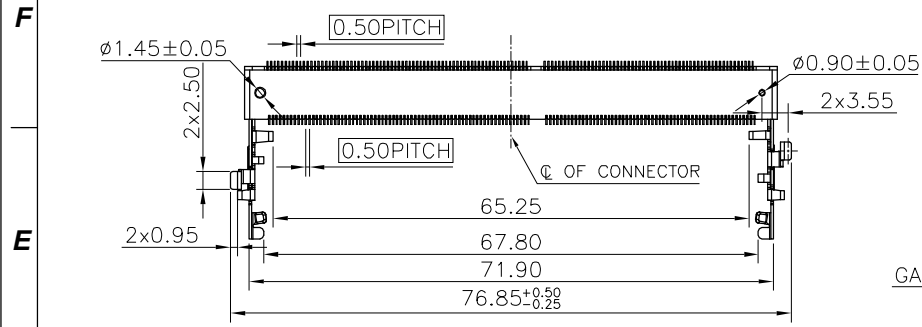


REV.	ECR/N NO./DESCRIPTION	DATE	DRAWN	CHECKED	APPROVE
1A	SN160**	09/02'16	XU	Vito	Ford
1B	SN160**	11/17'16	HBQ	Vito	Ford
1C	SN160**	01/09'17	HBQ	Vito	Ford



GENERAL TOLERANCES UNLESS SPECIFIED	
X ± 0.35	X° ± 3°
.XX ± 0.25	X° ± 2°
.XXX ± 0.15	.XX° ± 1°
<b>CUSTOMER DRAWING</b>	
SIZE	UNITS
A4	MM [INCH]

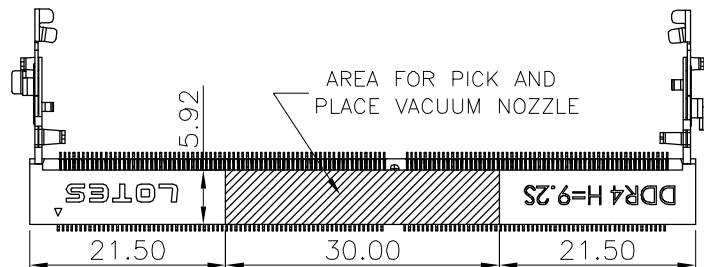
PART NO. SEE TABLE
APPROVED BY Barney
CHECKED BY Vito
DRAWN BY XU

<b>LOTES</b>			
TITLE SODDR4 9.2H 260 PIN STD TYPE			
DWG NO. AP-ADDR0110			
	SHEET 1 / 5	SCALE 1 : 1	REV 1C

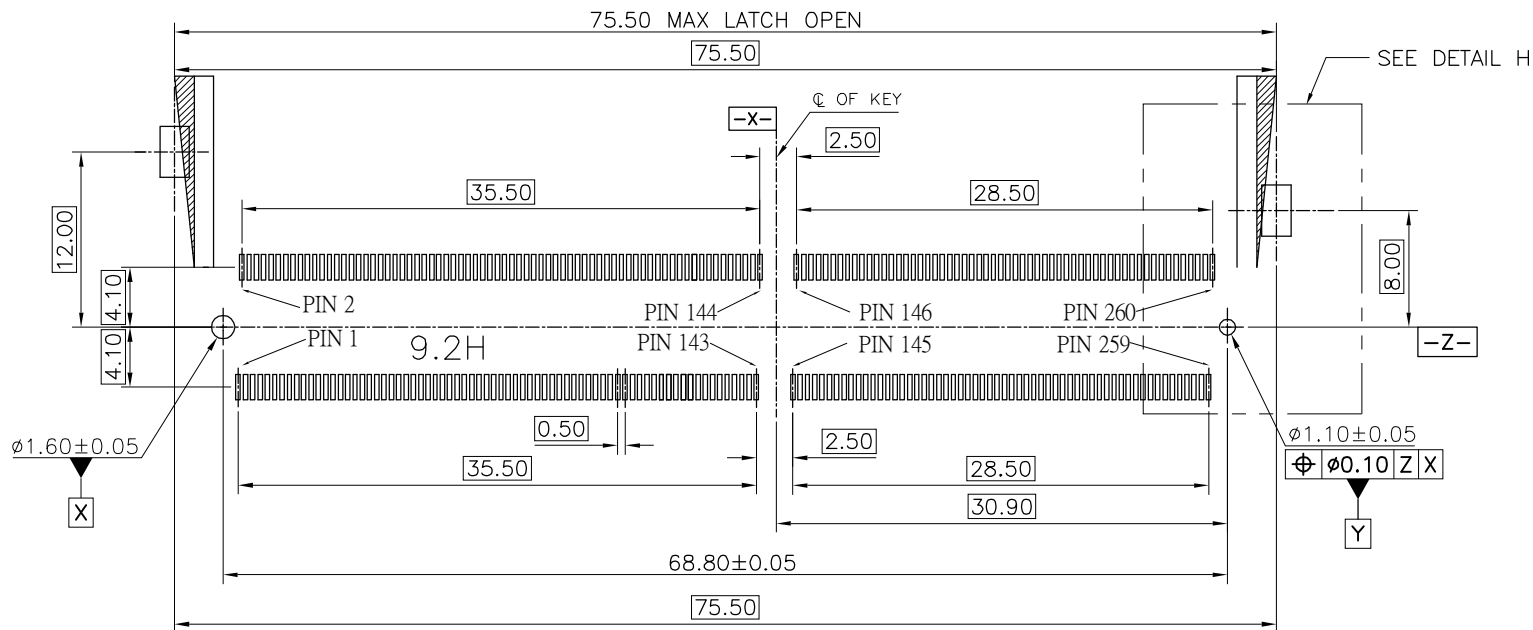
- NOTES:
- MATERIALS:  
HOUSING: LCP,UL 94V-0.  
CONTACT: BRASS C2680.  
LATCH: STAINLESS STEEL SUS301.
  - FINISH:  
1) CONTACT: UNDERPLATED NICKEL :SEE TABLE  
PLATING ON SOLDER AREA:SEE TABLE  
GOLD PLATING ON CONTACT AREA:SEE TABLE  
2) LATCH: UNDERPLATED NICKEL 50~150u",MATTE TIN 80u" MIN.
  - ELECTRICAL PERFORMANCE  
LLCR INITIAL 50mΩ MAX PER CONTACT.  
FINAL ΔLLCR=20mΩ MAX
  - MECHANICAL PERFORMANCE,  
MATING & UNMATING FORCE: 6.1 Kgf MAX.
  - IR REFLOW:  
THE PEAK TEMPRATURE ON THE BOARD SHALL BE  
MAINTAINED FOR 10 SECONDS AT 260±5°C.
  - DC: XXXXXX  
DATE  
WEEK  
YEAR
  - PRODUCT NUMBER NOTE: ADDR\*\*\*\*-\*\*\*\*  
PACKING DIRECTION  
TYPE SERIAL NUMBER  
HALOGEN FREE  
PRODUCT SERIAL NUMBER  
PRODUCT TYPE  
CONNECTOR
  - RoHS COMPLIANT.  
HF COMPLIANT.

TABLE:

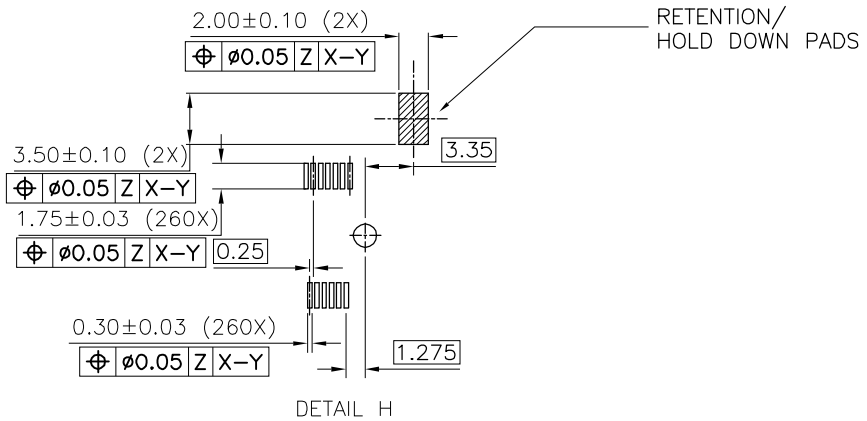
NO.	PART NO.	COLOR	AU DESCRIPTION	NICKEL DESCRIPTION
1	ADDR0110-P005A	BLACK	GOLD G/F ON CONTACT AREA GOLD G/F ON SOLDER AREA	50u" MIN NICKEL UNDER PLATED
2	ADDR0110-P006A	BLACK	GOLD 10u" ON CONTACT AREA GOLD G/F ON SOLDER AREA	
3	ADDR0110-P007A	BLACK	GOLD 15u" ON CONTACT AREA GOLD G/F ON SOLDER AREA	
4	ADDR0110-P008A	BLACK	GOLD 30u" ON CONTACT AREA GOLD G/F ON SOLDER AREA	
5	ADDR0110-P009A	BLACK	GOLD 15u" ON CONTACT AREA GOLD G/F ON SOLDER AREA	90u" MIN NICKEL UNDER PLATED
6	ADDR0110-P010A	WHITE	GOLD G/F ON CONTACT AREA GOLD G/F ON SOLDER AREA	50u" MIN NICKEL UNDER PLATED
7	ADDR0110-P011A	WHITE	GOLD 10u" ON CONTACT AREA GOLD G/F ON SOLDER AREA	
8	ADDR0110-P012A	WHITE	GOLD 15u" ON CONTACT AREA GOLD G/F ON SOLDER AREA	
9	ADDR0110-P013A	WHITE	GOLD 30u" ON CONTACT AREA GOLD G/F ON SOLDER AREA	



GENERAL TOLERANCES UNLESS SPECIFIED		PART NO.	<b>LOTES</b>			
X± 0.35	X°± 3°	SEE TABLE				
.XX± 0.25	X°± 2°	APPROVED BY	TITLE			
.XXX± 0.15	.XX°± 1°	Barney	SODDR4 9.2H 260 PIN STD TYPE			
CUSTOMER DRAWING		CHECKED BY	DWG NO.			
		Vito	AP-ADDR0110			
SIZE	UNITS	DRAWN BY		SHEET	SCALE	REV
A4	MM[INCH]	XU		2 / 5	5 : 4	1C



SCALE 2:1 TOP VIEW  
 RECOMMEND PCB LAYOUT (STANDARD)  
 THE TOLERANCES UNLESS SPECIFIED IS  $\pm 0.05$ MM



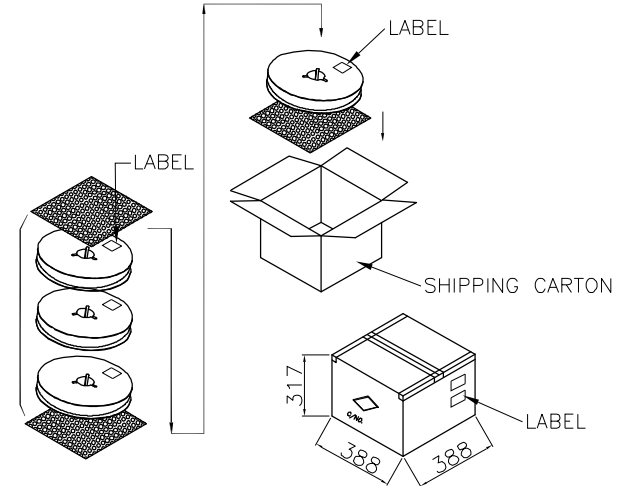
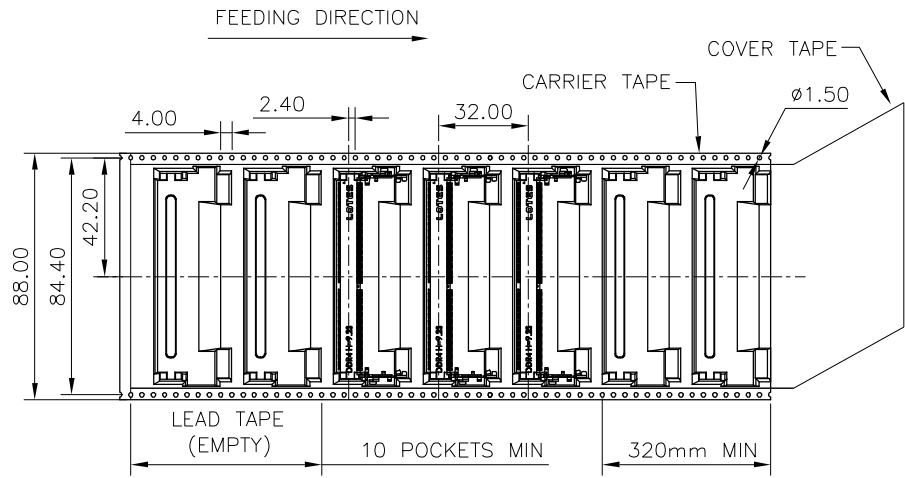
GENERAL TOLERANCES UNLESS SPECIFIED		PART NO. SEE TABLE	<b>LOTES</b>			
X $\pm$ 0.35	X° $\pm$ 3°					
.XX $\pm$ 0.25	.X° $\pm$ 2°	APPROVED BY Barney	TITLE SODDR4 9.2H 260 PIN STD TYPE			
.XXX $\pm$ 0.15	.XX° $\pm$ 1°	CHECKED BY Vito	DWG NO. AP-ADDR0110			
CUSTOMER DRAWING		DRAWN BY XU		SHEET	SCALE	REV
SIZE A4	UNITS MM[INCH]			3 / 5	1 : 1	1C



1 2 3 4 5 6 7 8

F

F



E

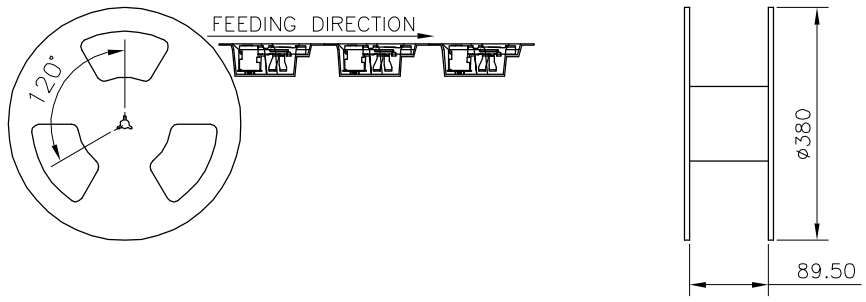
E

D

D

C

C



NOTES:

1. MATERIAL :
  - 1.1 CARRY TAPE: PS
  - 1.2 COVER TAPE: PET
  - 1.3 SHIPPING CARTON: CORRUGATED FIBER
2. DIMENSION :
  - 2.1 REEL: W=88.0, øA=380
  - 2.2 SHIPPING CARTON: L=388, W=388, H=317 (INNER)
3. QUANTITY :
  - 3.1 PRIMARY PACKING: 220 PCS/REEL
  - 3.2 SECONDARY PACKING: 3 REELS/CARTON(660PCS)
4. PEELING RESISTANCE: 20gf~120gf.
5. PEELING SPEED: 300mm/minutes.

B

B

A

A

1 2 3 4 5 6 7 8

GENERAL TOLERANCES UNLESS SPECIFIED		PART NO. SEE TABLE	<b>LOTES</b>			
X± 0.35	X°± 3°					
.XX± 0.25	.X°± 2°	APPROVED BY Barney	TITLE SODDR4 9.2H 260 PIN STD TYPE			
.XXX±0.15	.XX°±1°	CHECKED BY Vito	DWG NO. AP-ADDR0110			
SIZE A4	UNITS MM	DRAWN BY XU		SHEET 5 / 5	SCALE N/A	REV 1C

## X-ON Electronics

Largest Supplier of Electrical and Electronic Components

*Click to view similar products for [Standard Card Edge Connectors](#) category:*

*Click to view products by [LOTES](#) manufacturer:*

Other Similar products are found below :

[CR7E-30DB-3.96E\(72\)](#) [6565204-6](#) [1437274-4](#) [EBT15622B2X](#) [1-582587-1](#) [284-0102-12100](#) [286-0052-12101A](#) [306022901000000](#) [307-012-502-202](#) [307-056-520-300](#) [A6D22DS29C2](#) [1926088-2](#) [287-0032-12101](#) [345-060-559-303](#) [392-008-559-201](#) [534671-1](#) [341-240-317](#) [345-044-500-300](#) [346-240-318](#) [387-012-523-300](#) [395-100-524-300](#) [09-07-2032](#) [10035388-802LF](#) [10115859-011LF](#) [10122859-009LF](#) [101269333204245CLF](#) [530555-1](#) [66925-516LF](#) [5145409-2](#) [73726-0005](#) [66308-1](#) [5036A30](#) [PEC-07-02-T-S-A](#) [346-014-520-801](#) [KSLX-62-BR](#) [307-048-502-202](#) [CE100F26-7-C](#) [CE100F28-3-D](#) [CE100F28-4-D](#) [CE156F18-9-C](#) [CE156F22-5-D](#) [CE156F22-9-C](#) [CT100F22-2-D](#) [CT100F22-3-D](#) [CT100F24-2-D](#) [CT100F24-3-D](#) [CT100F24-6-C](#) [CT156F22-4-D](#) [MLSS100-12-C](#) [MLSS100-16-C](#)