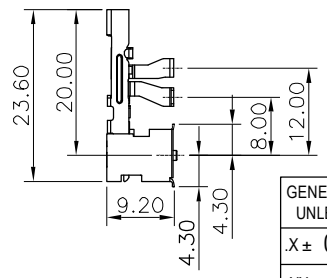
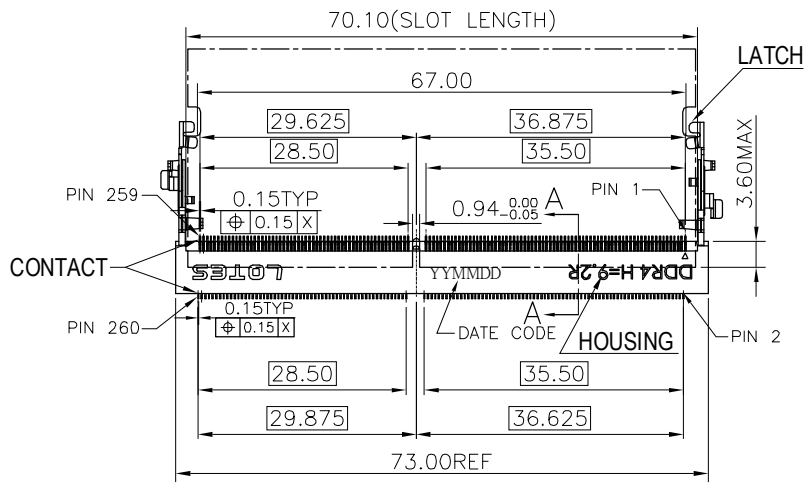
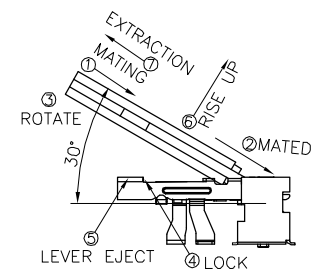
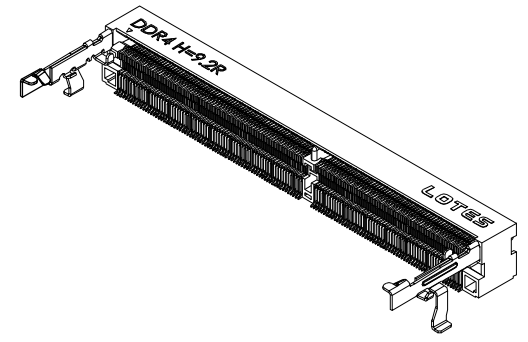
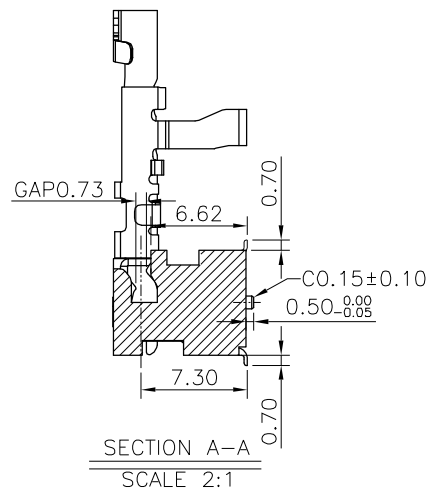
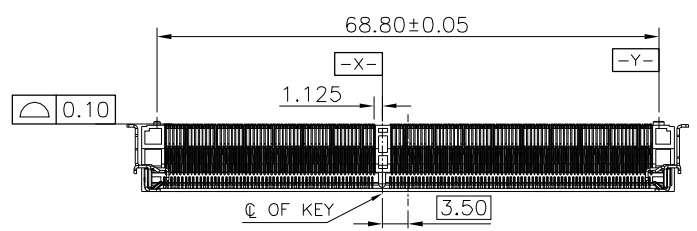
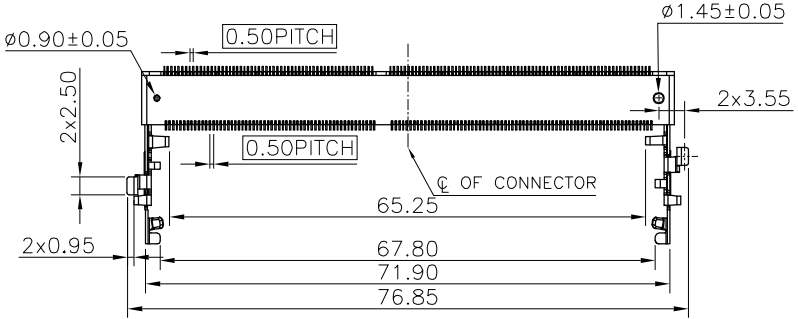


REV.	ECRN NO./DESCRIPTION	DATE	DRAWN	CHECKED	APPROVE
I	RD14011	03/30'15	XU	Vito	Barney
J	RD14011	06/09'15	XU	Vito	Barney
K	RD14011	09/09'15	XU	Vito	Barney



GENERAL TOLERANCES UNLESS SPECIFIED	
$X \pm 0.35$	$X^\circ \pm 3^\circ$
$.XX \pm 0.25$	$X^\circ \pm 2^\circ$
$.XXX \pm 0.15$	$.XX^\circ \pm 1^\circ$
CUSTOMER DRAWING	
SIZE	UNITS
A4	MM [INCH]

PART NO.	SEE TABLE
APPROVED BY	Barney
CHECKED BY	Vito
DRAWN BY	XU

LOTES			
TITLE SODDDR4 9.2H 260 PIN RVS TYPE			
DWG NO. AP-ADDR0111			
	SHEET	SCALE	REV
	1 / 5	1 : 1	K

NOTES:

1.MATERIALS:

HOUSING: LCP,UL 94V-0.

CONTACT: BRASS C2680.

LATCH: STAINLESS STEEL SUS301.

2.FINISH:

- 1)CONTACT: UNDERPLATED NICKEL 50~150u",
PLATING ON SOLDER AREA:SEE TABLE
GOLD PLATING ON CONTACT AREA:SEE TABLE
- 2)LATCH:UNDERPLATED NICKEL 50~150u",MATTE TIN 80u" MIN.

3.ELECTRICAL PERFORMANCE

LLCR INITIAL 50mΩ MAX PER CONTACT.

FINAL ΔLLCR=20mΩ MAX

4.MECHANICAL PERFORMANCE,

MATING & UNMATING FORCE: 6.1 Kgf MAX.

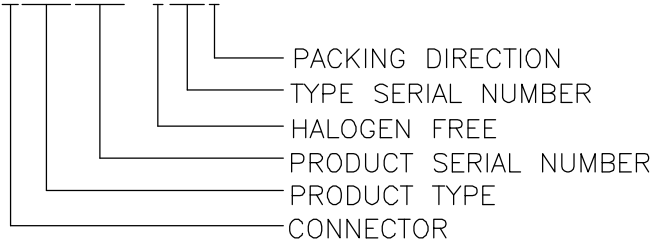
5.IR REFLOW:

THE PEAK TEMPRATURE ON THE BOARD SHALL BE MAINTAINED FOR 10 SECONDS AT 260±5°C.

6. DC: XXXXXX



7.PRODUCT NUMBER NOTE:ADDR****-****



8.RoHS COMPLIANT.
HF COMPLIANT.

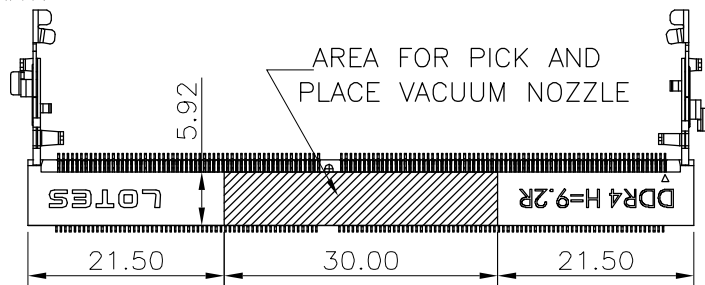
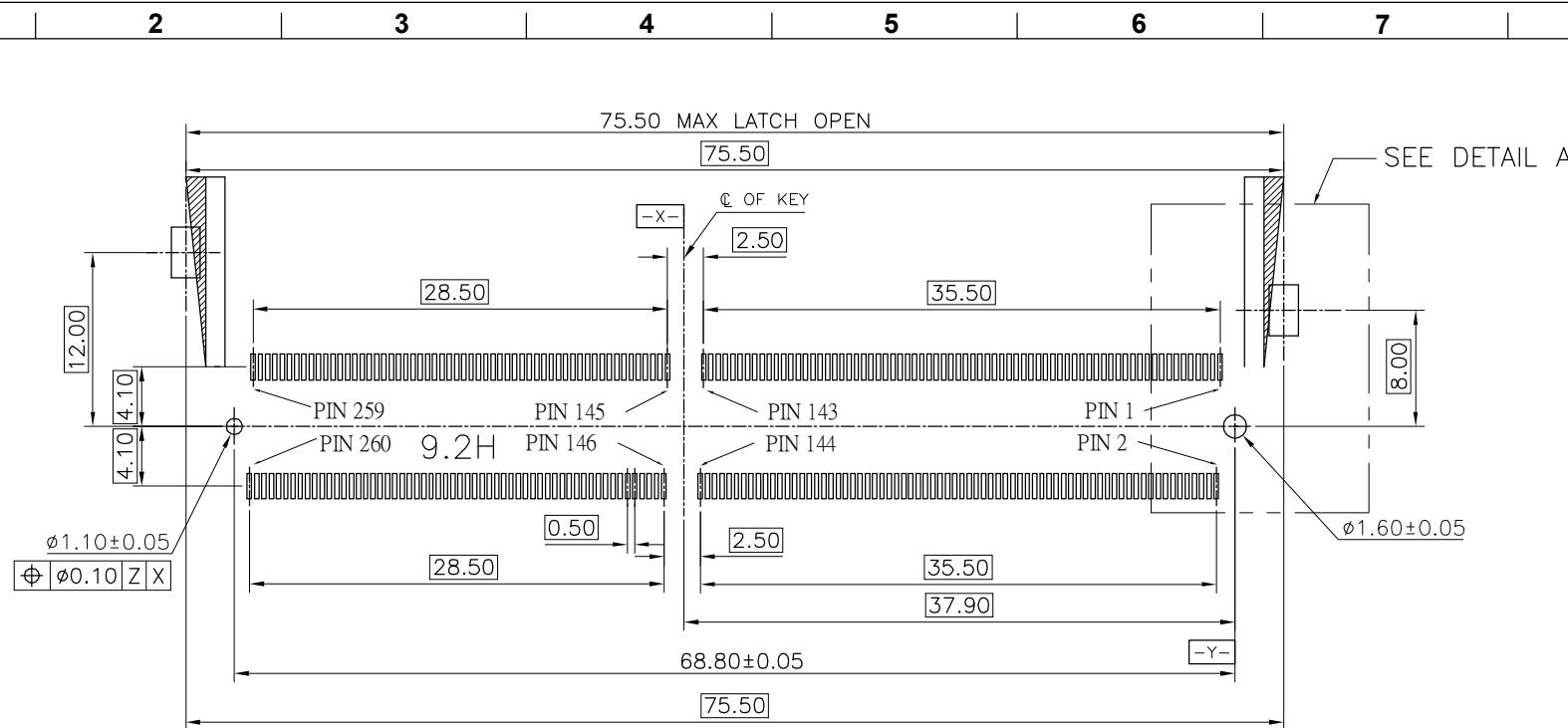


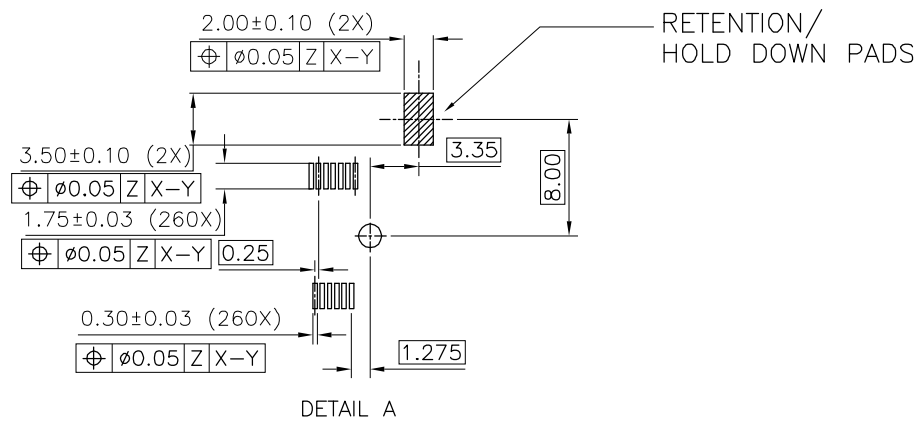
TABLE:

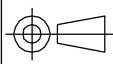
NO.	PART NO.	COLOR	DESCRIPTION
1	ADDR0111-P001A	BLACK	GOLD G/F ON CONTACT AREA
			MATTE TIN ON SOLDER AREA
2	ADDR0111-P002A	BLACK	GOLD 10u" ON CONTACT AREA
			MATTE TIN ON SOLDER AREA
3	ADDR0111-P003A	BLACK	GOLD 15u" ON CONTACT AREA
			MATTE TIN ON SOLDER AREA
4	ADDR0111-P004A	BLACK	GOLD 30u" ON CONTACT AREA
			MATTE TIN ON SOLDER AREA
5	ADDR0111-P005A	BLACK	GOLD G/F ON CONTACT AREA
			GOLD G/F ON SOLDER AREA
6	ADDR0111-P006A	BLACK	GOLD 10u" ON CONTACT AREA
			GOLD G/F ON SOLDER AREA
7	ADDR0111-P007A	BLACK	GOLD 15u" ON CONTACT AREA
			GOLD G/F ON SOLDER AREA
8	ADDR0111-P008A	BLACK	GOLD 30u" ON CONTACT AREA
			GOLD G/F ON SOLDER AREA
9	ADDR0111-P010A	WHITE	GOLD G/F ON CONTACT AREA
			GOLD G/F ON SOLDER AREA
10	ADDR0111-P011A	WHITE	GOLD 10u" ON CONTACT AREA
			GOLD G/F ON SOLDER AREA
11	ADDR0111-P012A	WHITE	GOLD 15u" ON CONTACT AREA
			GOLD G/F ON SOLDER AREA
12	ADDR0111-P013A	WHITE	GOLD 30u" ON CONTACT AREA
			GOLD G/F ON SOLDER AREA

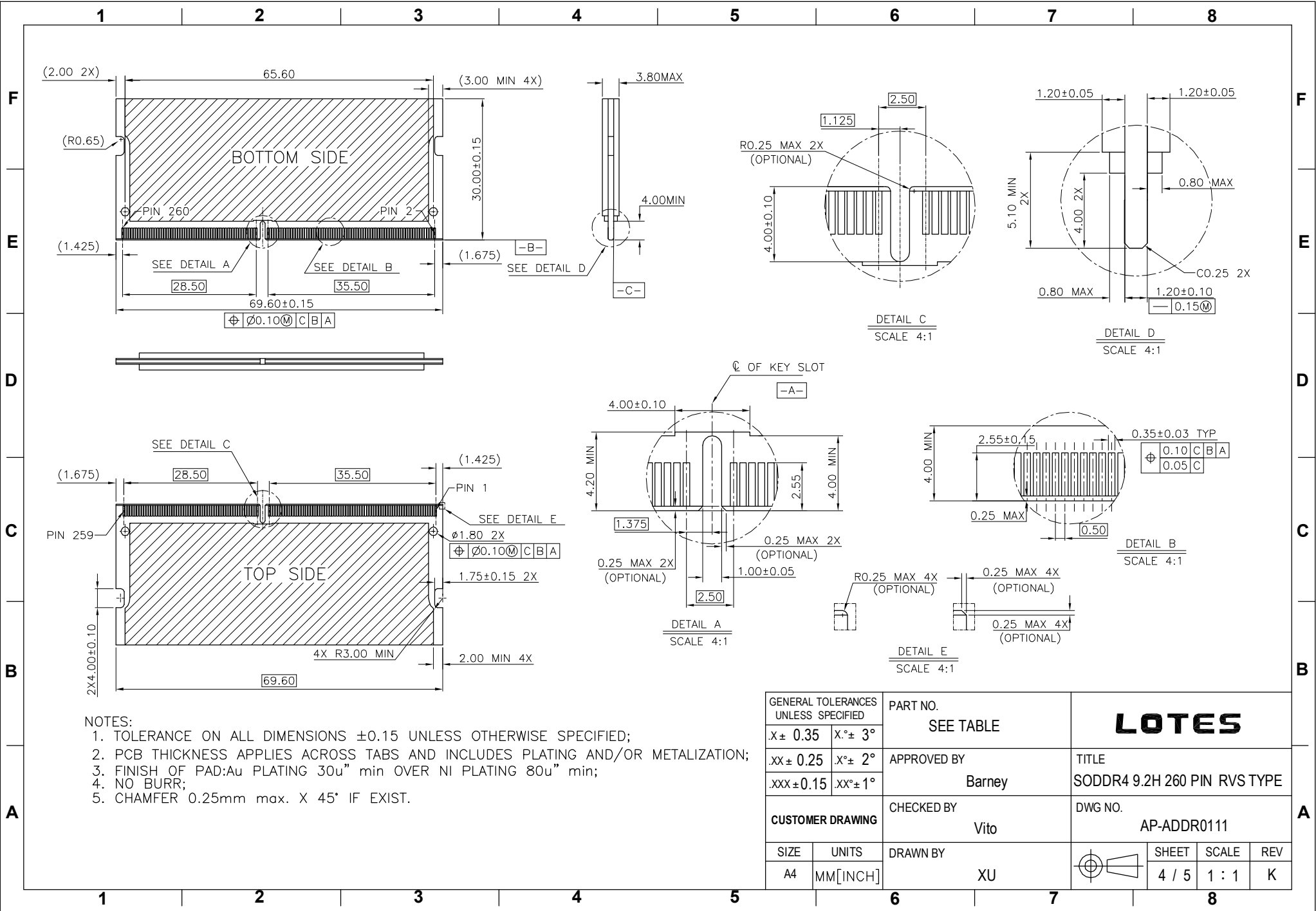
GENERAL TOLERANCES UNLESS SPECIFIED		PART NO. SEE TABLE	LOTES			
x ± 0.35	x° ± 3°					
.xx ± 0.25	x° ± 2°	APPROVED BY Barney	TITLE SODDR4 9.2H 260 PIN RVS TYPE			
.xxx ± 0.15	.xx° ± 1°	CHECKED BY Vito	DWG NO. AP-ADDR0111			
SIZE A4	UNITS MM[INCH]	DRAWN BY XU		SHEET 2 / 5	SCALE 5 : 4	REV K



SCALE 2:1 TOP VIEW
 RECOMMEND PCB LAYOUT (REVERSE)
 THE TOLERANCES UNLESS SPECIFIED IS ±0.05MM



GENERAL TOLERANCES UNLESS SPECIFIED		PART NO. SEE TABLE	LOTES			
X ± 0.35	X° ± 3°					
.XX ± 0.25	X° ± 2°	APPROVED BY Barney	TITLE SODDR4 9.2H 260 PIN RVS TYPE			
.XXX ± 0.15	.XX° ± 1°	CHECKED BY Vito	DWG NO. AP-ADDR0111			
CUSTOMER DRAWING		DRAWN BY XU		SHEET	SCALE	REV
SIZE A4	UNITS MM [INCH]			3 / 5	1 : 1	K



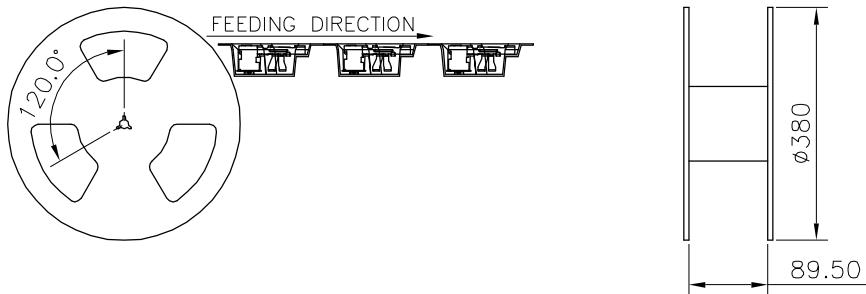
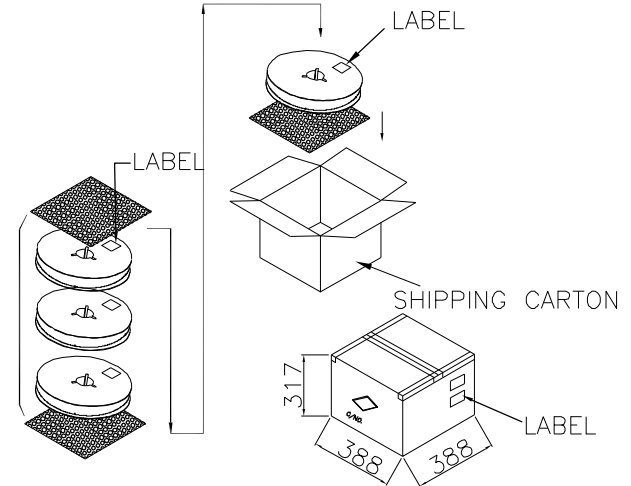
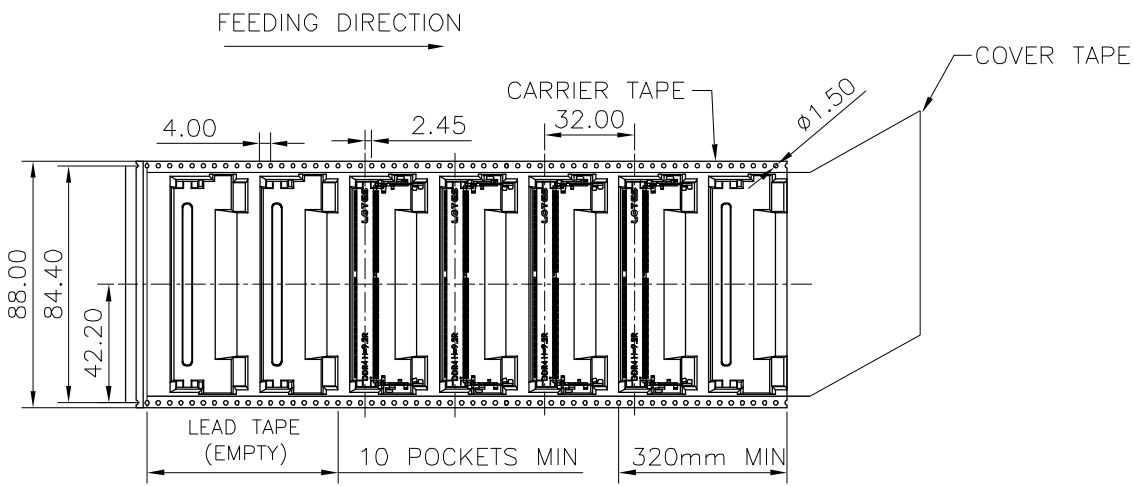
- NOTES:
1. TOLERANCE ON ALL DIMENSIONS ± 0.15 UNLESS OTHERWISE SPECIFIED;
 2. PCB THICKNESS APPLIES ACROSS TABS AND INCLUDES PLATING AND/OR METALIZATION;
 3. FINISH OF PAD: Au PLATING 30u" min OVER NI PLATING 80u" min;
 4. NO BURR;
 5. CHAMFER 0.25mm max. X 45° IF EXIST.

GENERAL TOLERANCES UNLESS SPECIFIED		PART NO. SEE TABLE	LOTES			
$x \pm 0.35$	$x^\circ \pm 3^\circ$					
$.xx \pm 0.25$	$x^\circ \pm 2^\circ$	APPROVED BY Barney	TITLE SODDR4 9.2H 260 PIN RVS TYPE			
$.xxx \pm 0.15$	$.xx^\circ \pm 1^\circ$	CHECKED BY Vito	DWG NO. AP-ADDR0111			
CUSTOMER DRAWING		DRAWN BY XU		SHEET	SCALE	REV
SIZE A4	UNITS MM [INCH]			4 / 5	1 : 1	K

1 2 3 4 5 6 7 8

F
E
D
C
B
A

F
E
D
C
B
A



NOTES:

1. MATERIAL :
 - 1.1 CARRY TAPE: PS
 - 1.2 COVER TAPE: PET
 - 1.3 SHIPPING CARTON: CORRUGATED FIBER
2. DIMENSION :
 - 2.1 REEL: W=88.0, $\phi A=380$
 - 2.2 SHIPPING CARTON: L=388, W=388, H=317 (INNER)
3. QUANTITY :
 - 3.1 PRIMARY PACKING: 220 PCS/REEL
 - 3.2 SECONDARY PACKING: 3 REELS/CARTON(660PCS)
4. PEELING RESISTANCE: 20gf~120gf.
5. PEELING SPEED: 300mm/minutes.

GENERAL TOLERANCES UNLESS SPECIFIED		PART NO. SEE TABLE	LOTES			
X ± 0.35	X° ± 3°					
.XX ± 0.25	X° ± 2°	APPROVED BY Barney	TITLE SODDR4 9.2H 260 PIN RVS TYPE			
.XXX ± 0.15	.XX° ± 1°	CHECKED BY Vito	DWG NO. AP-ADDR0111			
SIZE A4	UNITS MM	DRAWN BY XU		SHEET 5 / 5	SCALE N/A	REV K

1 2 3 4 5 6 7 8

X-ON Electronics

Largest Supplier of Electrical and Electronic Components

Click to view similar products for [Standard Card Edge Connectors](#) category:

Click to view products by [LOTES](#) manufacturer:

Other Similar products are found below :

[CR7E-30DB-3.96E\(72\)](#) [6565204-6](#) [1437274-4](#) [EBT15622B2X](#) [1-582587-1](#) [284-0102-12100](#) [286-0052-12101A](#) [306022901000000](#) [307-012-502-202](#) [307-056-520-300](#) [A6D22DS29C2](#) [1926088-2](#) [287-0032-12101](#) [345-060-559-303](#) [392-008-559-201](#) [534671-1](#) [341-240-317](#) [345-044-500-300](#) [346-240-318](#) [387-012-523-300](#) [395-100-524-300](#) [09-07-2032](#) [10035388-802LF](#) [10115859-011LF](#) [10122859-009LF](#) [101269333204245CLF](#) [530555-1](#) [66925-516LF](#) [5145409-2](#) [73726-0005](#) [66308-1](#) [5036A30](#) [PEC-07-02-T-S-A](#) [346-014-520-801](#) [KSLX-62-BR](#) [307-048-502-202](#) [CE100F26-7-C](#) [CE100F28-3-D](#) [CE100F28-4-D](#) [CE156F18-9-C](#) [CE156F22-5-D](#) [CE156F22-9-C](#) [CT100F22-2-D](#) [CT100F22-3-D](#) [CT100F24-2-D](#) [CT100F24-3-D](#) [CT100F24-6-C](#) [CT156F22-4-D](#) [MLSS100-12-C](#) [MLSS100-16-C](#)