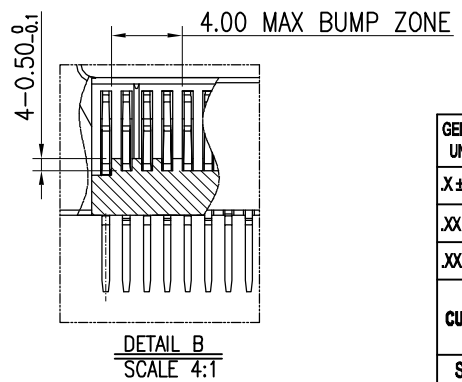
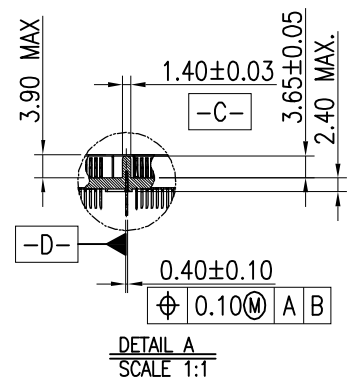
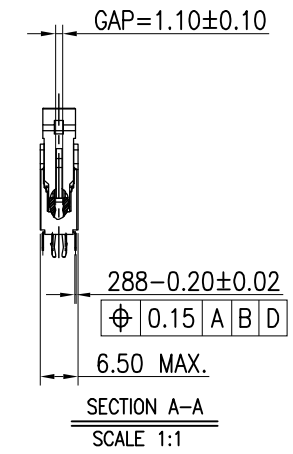
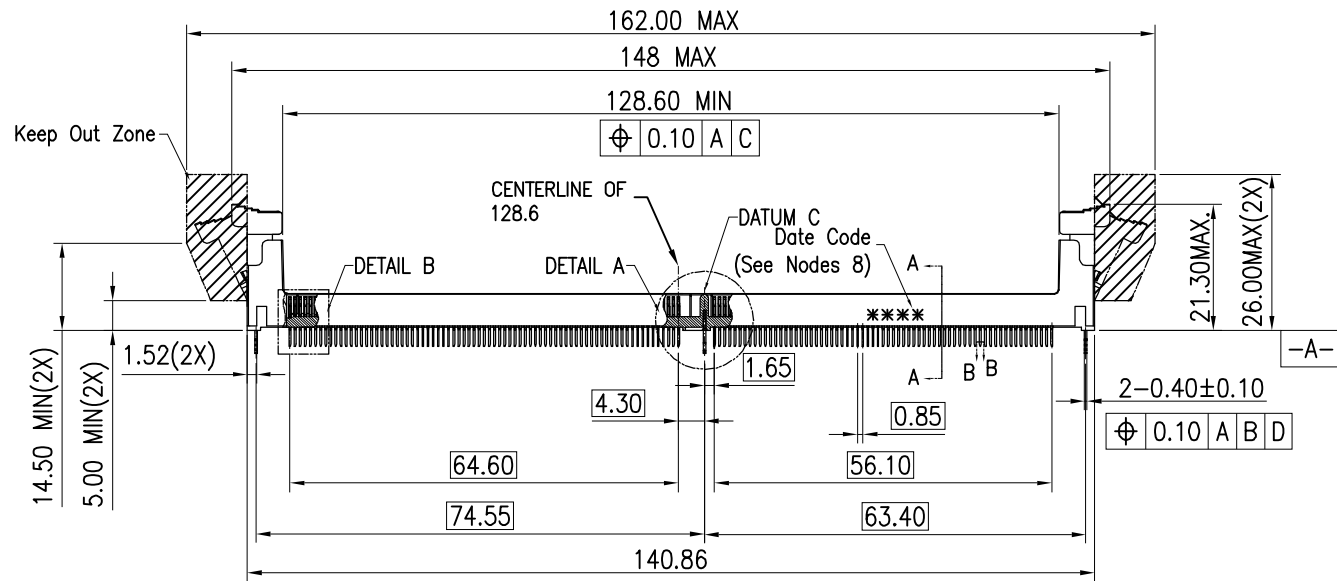
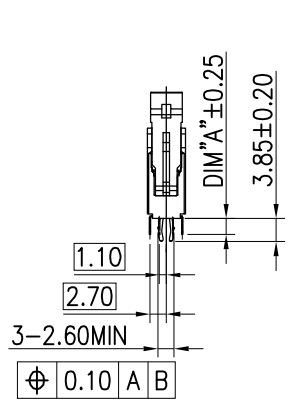
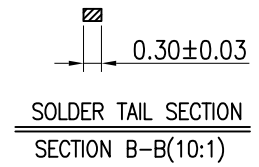
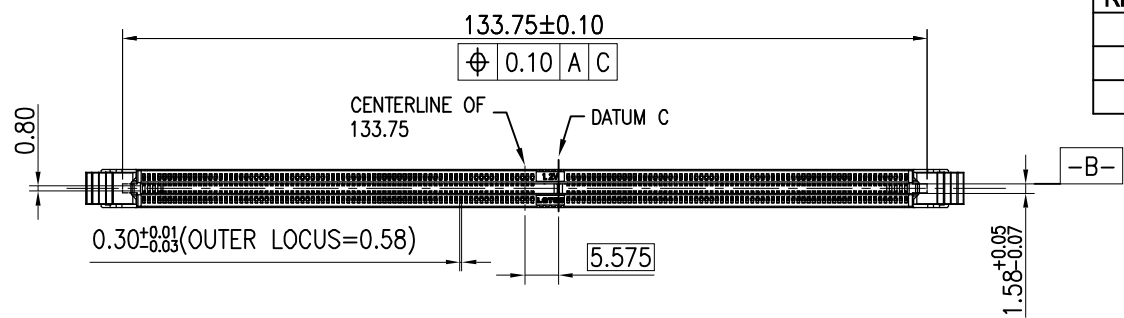
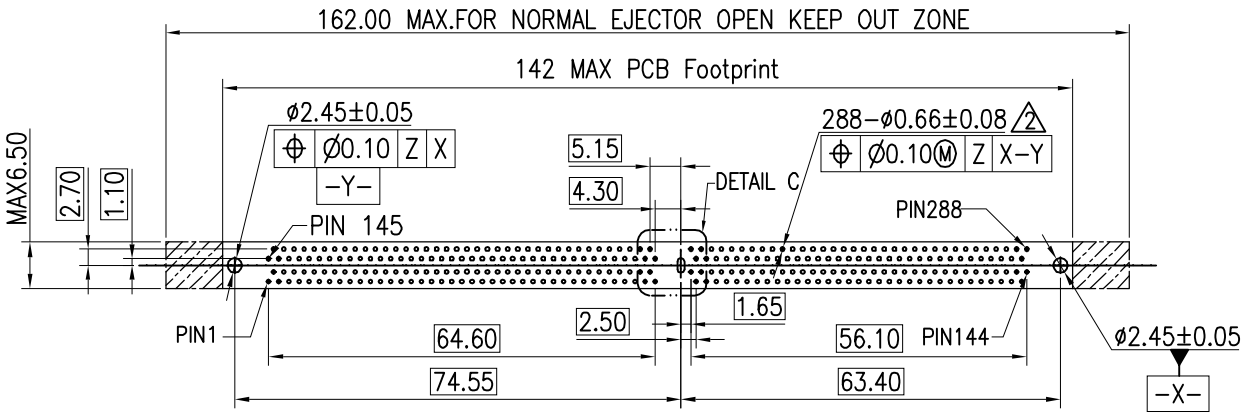


| REV. | ECN NO./DESCRIPTION | DATE |
|------|---------------------|----------|
| J | R140455 | 02/25'16 |
| K | R140455 | 03/25'16 |
| L | R140455 | 08/05'16 |



| | | | | | | | | |
|-------------------------------------|-------------------|------------------------------|--|-----------------------|-----------------|--|-----------------------------------|--|
| GENERAL TOLERANCES UNLESS SPECIFIED | | PART NO. SEE TABLE | LOTES | | | | | |
| X± 0.35 | X°± 3° | | | | | APPROVED BY BILL 08/05'16 | TITLE DDR4 288Pin Conn. | |
| XX± 0.25 | X°± 2° | | | | | CHECKED BY YOUHUA.CAI 08/05'16 | DWG NO. GAP-ADDR0141 | |
| XXX± 0.15 | XX°± 1° | CUSTOMER DRAWING | DRAWN BY ZHOULIJING 08/05'16 | SCALE 1 / 4 | | | | |
| SIZE A4 | UNITS MM[INCH] | SHEET 1 / 4 | | SCALE 4:5 | REV L | | | |

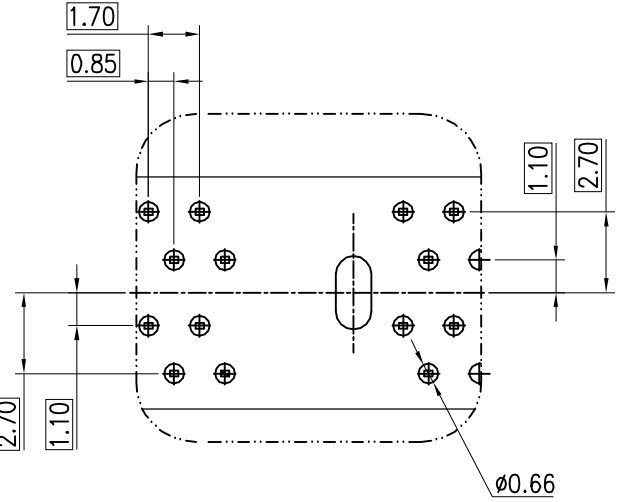
| REV. | ECN NO./DESCRIPTION | DATE |
|------|---------------------|----------|
| J | R140455 | 02/25'16 |
| K | R140455 | 03/25'16 |
| L | R140455 | 08/05'16 |



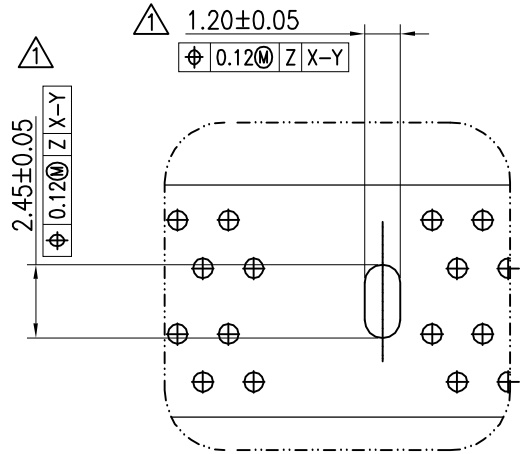
RECOMMENDED PCB LAYOUT(CONNECTOR SIDE) (TOL.:±0.05)



RECOMMENDED PCB LAYOUT&THICKNESS(CONNECTOR SIDE) (TOL.:±0.05)



OUTER LOCUS OF CONNECTOR SOLDER PIN TAILS
SCALE 5:1

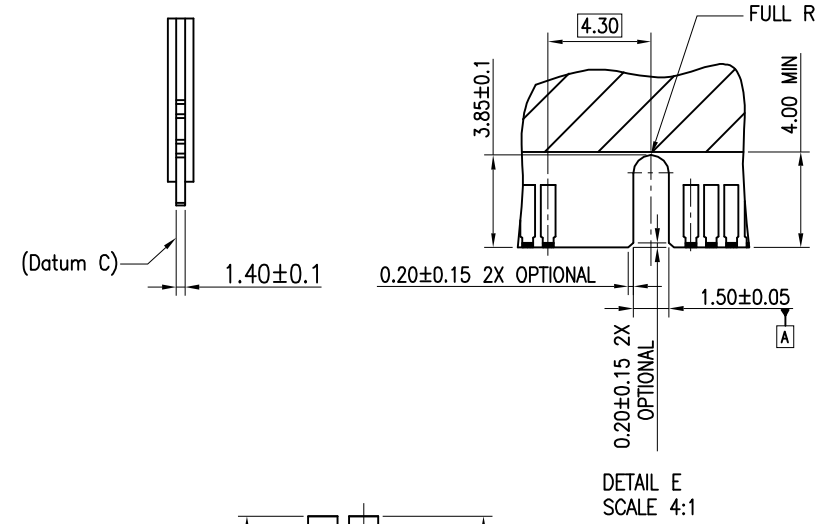
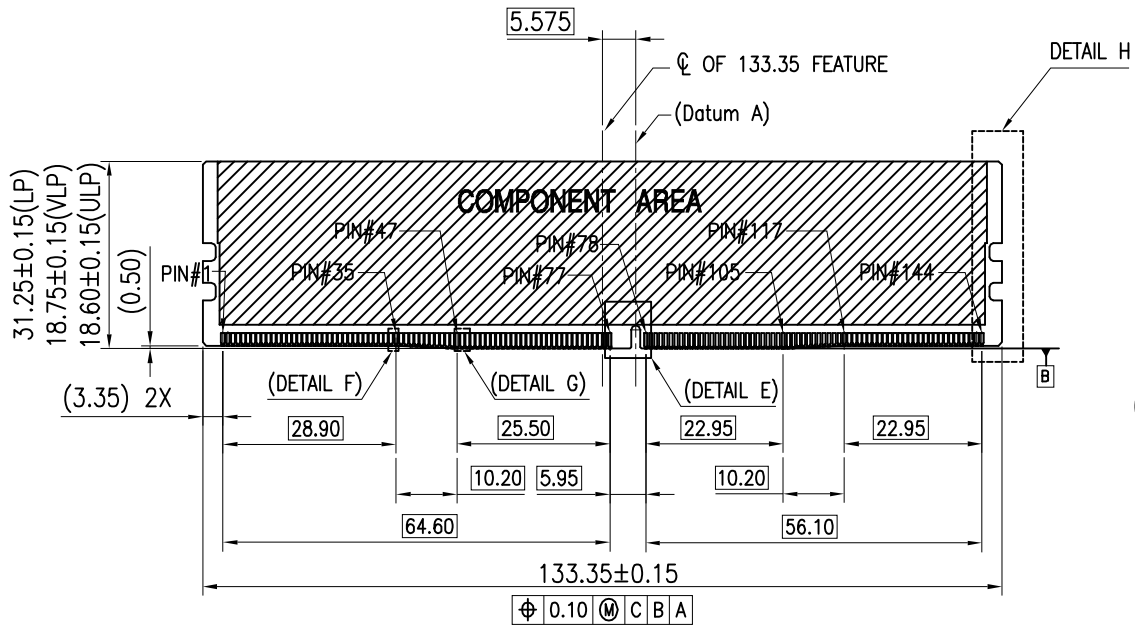


DETAIL C
SCALE 5:1

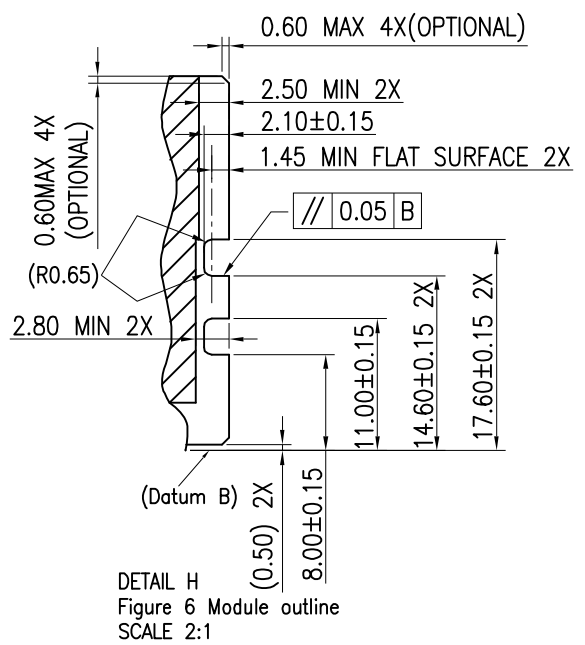
▲ KEEP OUT ZONE IS FOR USABILITY REFERENCE ONLY,ACTUAL DIMM SOCKET DIMENSION WILL FOLLOW DRAWING DEFINITION.
 ▲ RECOMMENDED DIMENSIONS OF THESE FEATURES WERE DERIVED TO ALLOW A ROUTING SOLUTION ON THE MOTHERBOARD.

| | | | | | | |
|-------------------------------------|----------|---------------------|-------------------|-------|-------|-----|
| GENERAL TOLERANCES UNLESS SPECIFIED | | PART NO. | LOTES | | | |
| X ± 0.35 | X° ± 3° | SEE TABLE | | | | |
| .XX ± 0.25 | X° ± 2° | APPROVED BY | TITLE | | | |
| .XXX ± 0.15 | XX° ± 1° | BILL 08/05'16 | DDR4 288Pin Conn. | | | |
| CUSTOMER DRAWING | | CHECKED BY | DWG NO. | | | |
| | | YOUHUA.CAI 08/05'16 | GAP-ADDR0141 | | | |
| SIZE | UNITS | DRAWN BY | | SHEET | SCALE | REV |
| A4 | MM[INCH] | ZHOULIJING 08/05'16 | | 2 / 4 | 4:5 | L |

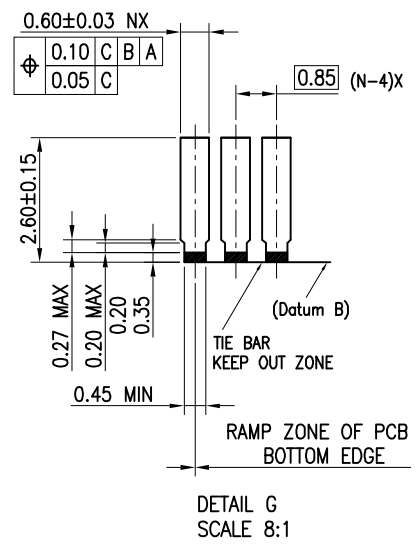
| REV. | ECN NO./DESCRIPTION | DATE |
|------|---------------------|----------|
| J | R140455 | 02/25'16 |
| K | R140455 | 03/25'16 |
| L | R140455 | 08/05'16 |



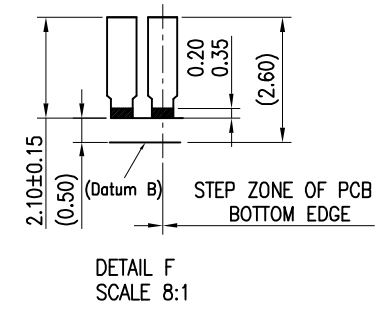
DETAIL E
SCALE 4:1



DETAIL H
Figure 6 Module outline
SCALE 2:1

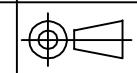


DETAIL G
SCALE 8:1

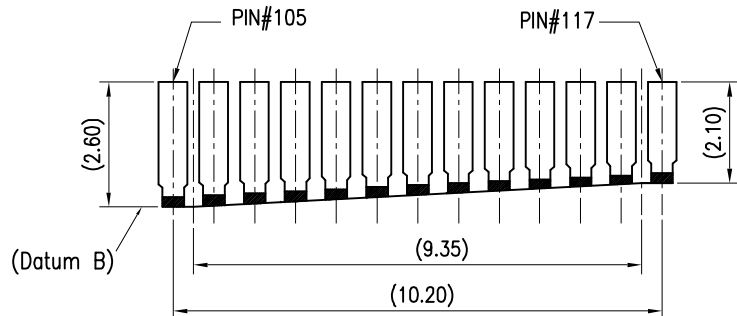
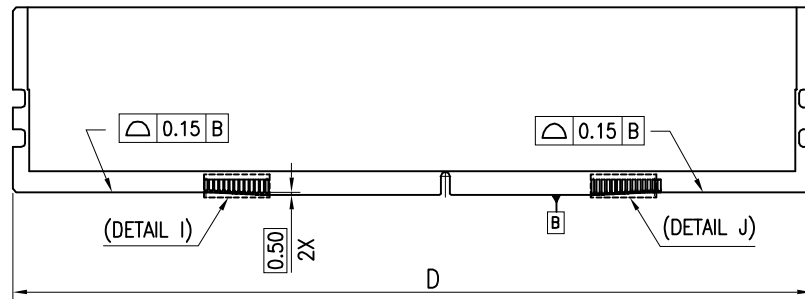


DETAIL F
SCALE 8:1

| GENERAL TOLERANCES UNLESS SPECIFIED | | PART NO. | LOTES | | |
|-------------------------------------|-------------------------|---------------------|----------------------------|---|--|
| $X \pm 0.35$ | $X^\circ \pm 3^\circ$ | SEE TABLE | | | |
| $.XX \pm 0.25$ | $X^\circ \pm 2^\circ$ | APPROVED BY | TITLE DDR4 288Pin Conn. | | |
| $.XXX \pm 0.15$ | $.XX^\circ \pm 1^\circ$ | BILL 08/05'16 | | | |
| CUSTOMER DRAWING | | CHECKED BY | DWG NO. GAP-ADDR0141 | | |
| | | YOUHUA.CAI 08/05'16 | | | |
| SIZE | UNITS | DRAWN BY | SHEET | | |
| A4 | MM[INCH] | ZHOULIJING 08/05'16 | | | |
| | | | 4:5 | L | |

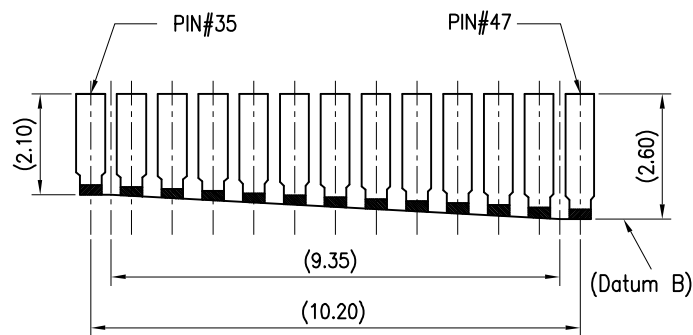


| REV. | ECN NO./DESCRIPTION | DATE |
|------|---------------------|----------|
| J | R140455 | 02/25'16 |
| K | R140455 | 03/25'16 |
| L | R140455 | 08/05'16 |



DETAIL J

Figure 7 Step and ramp dimensions



DETAIL I

NOTES:

- MATERIAL: HOUSING: HIGH TEMPERATURE THERMOPLASTIC , UL94V-0, COLOR:SEE TABLE.
EJECTOR: THERMOPLASTIC UL94V-0, COLOR: SEE TABLE.
CONTACT: SPECIFIC COPPER OR PHOSPHOR BRONZE.
HOOK: SUS301.
- FINISH: CONTACT: 50u" OR 90u"MIN NICKEL UNDERPLATED;
100u"MIN MATTE TIN PLATED ON SOLDER AREA.
HOOK: NO PLATING.
- RECOMMENDED MODULE LAYOUT SHOULD BE MO-XXX FROM JEDEC.
- WAVE SODERING TEMPERATURE:
THE CONNECTOR SHALL BE MOUNTED ON THE PCB;
TEMPERATURE OF THE SOLDER SHALL BE 260±5°C AND IMMERSION DURATION:10±1 SECONDS.
- MECHANICAL PERFORMANCE:
5-1. INSERTION FORCE-MODULE TO CONNECTOR: 106.8N MAX
5-2. INSERTION FORCE-CONNECTOR TO BOARD: 75N MAX
5-3. DURABILITY: 25 CYCLES
5-4. RETENTION FORCE: 300gf/PIN MIN
5-5. UNMATING FORCE(PER PIN PAIR): 14gf MIN
- ELECTRICAL PERFORMANCE:
6-1. VOLTAGE RATING: 1.2V±0.1V
6-2. CURRENT RATING: 0.75A PER PIN MAX
6-3. IMPEDANCE: 50ohm
6-4. LLCR: 10mΩ MAX.(INITIAL), ΔR: 10mΩ MAX
6-5. INSULATION RESISTANCE: 500V DC, 1MΩ MIN
6-6. DIELECTRIC WITHSTANDING VOLTAGE: APPLY 500V AC, NO BREAKDOWN.
- ROHS AND HF COMPLIANT.
- D/C ** ** WEEK
YEAR

9.PRODUCT NUMBER NOTE:

ADDRXXXX-XXXX

- TRAY PACKING
- PRODUCT SERIES NUMBER
- P:HF COMPLIANT/K:ROHS COMPLIANT
- TYPE SERIES NUMBER
- DDR TYPE
- FINISHED PRODUCT

| GENERAL TOLERANCES UNLESS SPECIFIED | | PART NO. | LOTES | | | |
|-------------------------------------|----------|---------------------|-------------------|-------|-------|-----|
| X± 0.35 | X°± 3° | SEE TABLE | | | | |
| XX± 0.25 | .X°± 2° | APPROVED BY | TITLE | | | |
| XXX± 0.15 | .XX°± 1° | BILL 08/05'16 | DDR4 288Pin Conn. | | | |
| CUSTOMER DRAWING | | CHECKED BY | DWG NO. | | | |
| | | YOUHUA.CAI 08/05'16 | GAP-ADDR0141 | | | |
| SIZE | UNITS | DRAWN BY | | SHEET | SCALE | REV |
| A4 | MM[INCH] | ZHOULIJING 08/05'16 | | 4 / 4 | 4:5 | L |

X-ON Electronics

Largest Supplier of Electrical and Electronic Components

Click to view similar products for [Standard Card Edge Connectors](#) category:

Click to view products by [LOTES](#) manufacturer:

Other Similar products are found below :

[CR7E-30DB-3.96E\(72\)](#) [6565204-6](#) [1437274-4](#) [EBT15622B2X](#) [EBT156-22R2W](#) [1-582587-1](#) [284-0102-12100](#) [286-0052-12101A](#)
[306022901000000](#) [307-056-520-300](#) [A6D22DS29C2](#) [1926088-2](#) [245-062-520-350](#) [287-0032-12101](#) [306-028-525-102](#) [307-072-526-202](#) [345-](#)
[060-559-303](#) [534671-1](#) [341-240-317](#) [345-044-500-300](#) [346-240-318](#) [395-100-524-300](#) [09-07-2032](#) [10035388-802LF](#) [10115859-011LF](#)
[10122859-009LF](#) [101269333204245CLF](#) [530555-1](#) [66925-516LF](#) [5145409-2](#) [73726-0005](#) [66308-1](#) [5036A30](#) [PEC-07-02-T-S-A](#) [KSLX-62-](#)
[BR](#) [CE100F26-7-C](#) [CE100F28-3-D](#) [CE100F28-4-D](#) [CE156F22-9-C](#) [CT100F24-3-D](#) [CT100F24-6-C](#) [MLSS100-12-C](#) [SCC100F-11-C](#)
[SCC100F-20-C](#) [SCC100F-24-C](#) [SCC100F-25-C](#) [3-530656](#) [285-0112-12300](#) [346-068-556-300](#) [284-0492-11000](#)