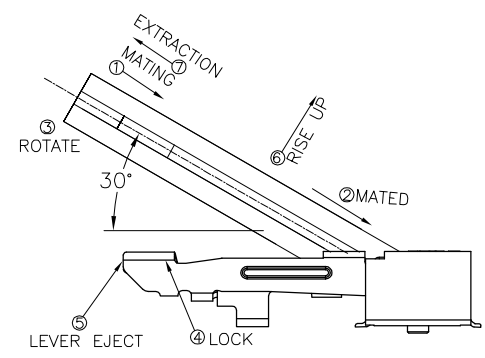
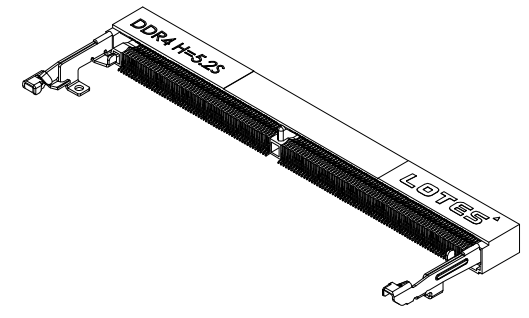
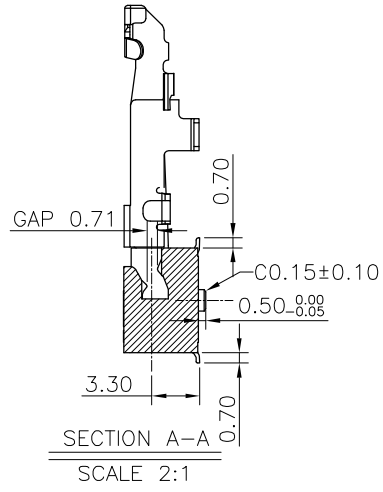
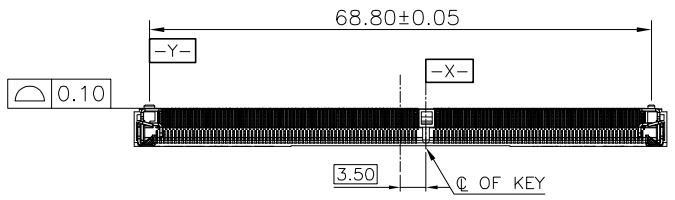
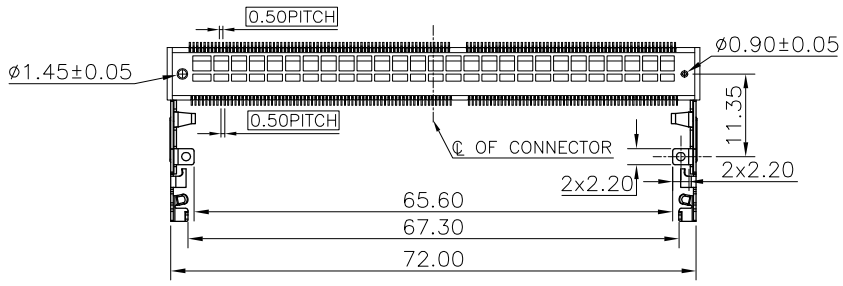
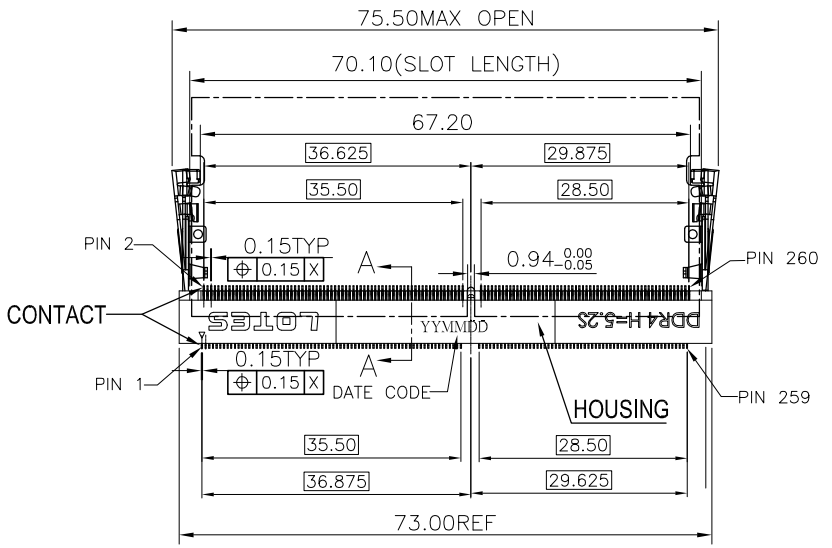
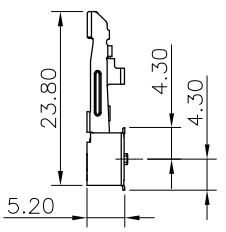


REV.	ECR/N NO./DESCRIPTION	DATE	DRAWN	CHECKED	APPROVE
D	RD140**	08/12'15	XU	Vito	Barney
E	RD140**	09/09'15	XU	Vito	Barney
F	RD140**	12/23'15	XU	Vito	Barney



HOW TO MATE AND UNMATE
 MATE: ① → ④
 UNMATE: ⑤ → ②
 SCALE 2:1



GENERAL TOLERANCES UNLESS SPECIFIED		PART NO. SEE TABLE	LOTES		
X ± 0.35	X° $\pm 3^\circ$				
.XX ± 0.25	X° $\pm 2^\circ$	APPROVED BY Barney	TITLE SODDDR4 5.2H 260 PIN STD TYPE		
.XXX ± 0.15	.XX° $\pm 1^\circ$	CHECKED BY Vito	DWG NO. AP-ADDR0207		
CUSTOMER DRAWING		DRAWN BY XU	SHEET 1 / 5	SCALE 1 : 1	REV F
SIZE A4	UNITS MM [INCH]				

NOTES:

1.MATERIALS:

HOUSING: LCP,UL 94V-0.

CONTACT: BRASS C2680.

LATCH: STAINLESS STEEL SUS301.

2.FINISH:

1)CONTACT:UNDERPLATED NICKEL (DETAL SEE TABLE)
GOLD PLATED ON SOLDER AREA.
GOLD PLATED ON CONTACT AREA.(DETAL SEE TABLE)

2)LATCH:UNDERPLATED NICKEL 50~150u'',MATTE TIN 80u'' MIN.

3.ELECTRICAL PERFORMANCE

LLCR INITIAL 50mΩ MAX PER CONTACT.

FINAL ΔLLCR=20mΩ MAX

4.MECHANICAL PERFORMANCE,

MATING & UNMATING FORCE: 6.1 Kgf MAX.

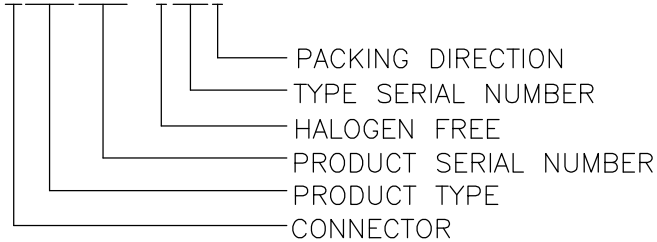
5.IR REFLOW:

THE PEAK TEMPRATURE ON THE BOARD SHALL BE MAINTAINED FOR 10 SECONDS AT 260±5°C.

6. DC: XXXXXX



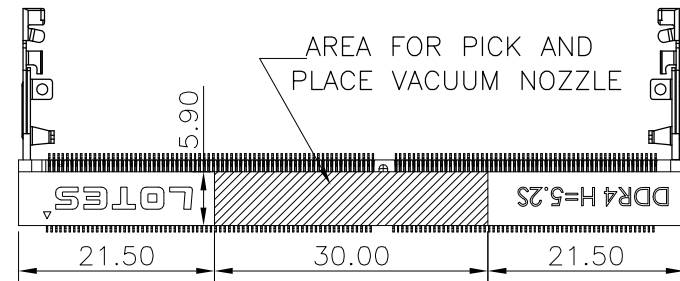
7.PRODUCT NUMBER NOTE:ADDR****-****



8.RoHS COMPLIANT.
HF COMPLIANT.

TABLE:

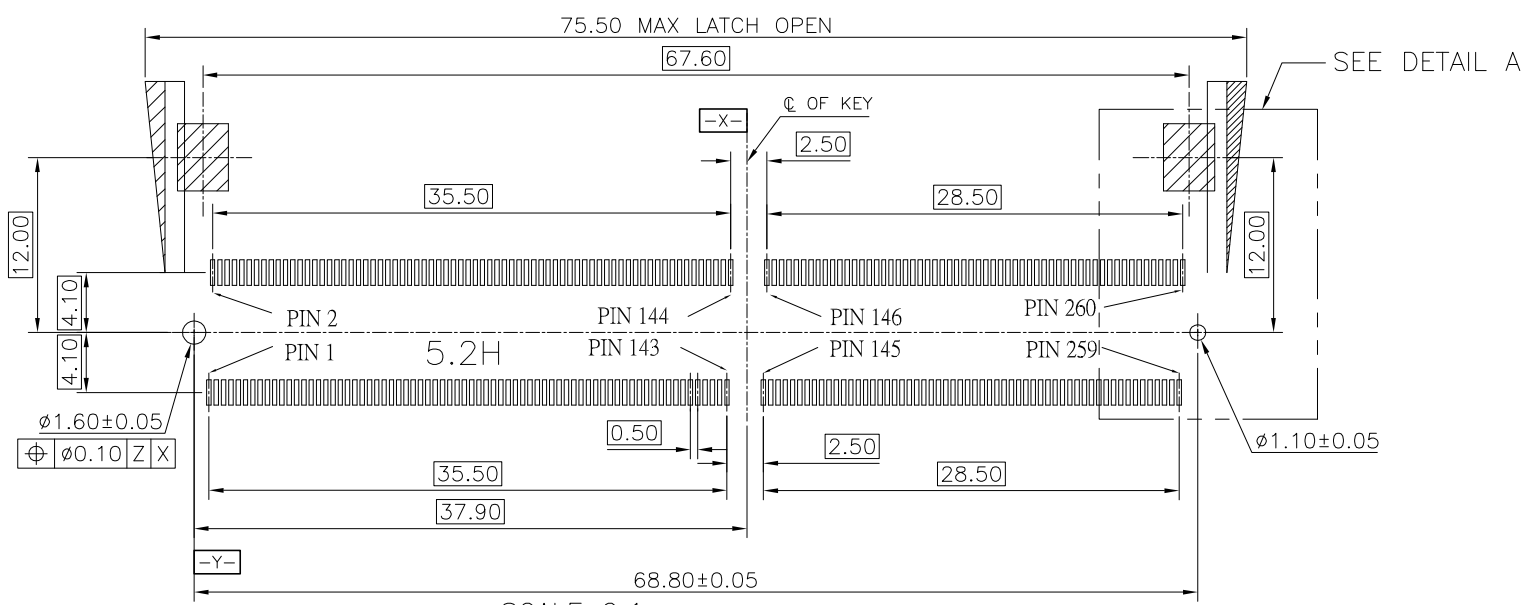
NO.	PART NO.	COLOR	AU DESCRIPTION	NICKEL DESCRIPTION
1	ADDR0207-P001A	BLACK	GOLD G/F ON CONTACT AREA	50u" MIN NICKEL UNDER PLATED
			GOLD G/F ON SOLDER AREA	
2	ADDR0207-P002A	BLACK	GOLD 10u" ON CONTACT AREA	
			GOLD G/F ON SOLDER AREA	
3	ADDR0207-P003A	BLACK	GOLD 15u" ON CONTACT AREA	
			GOLD G/F ON SOLDER AREA	
4	ADDR0207-P004A	BLACK	GOLD 30u" ON CONTACT AREA	
			GOLD G/F ON SOLDER AREA	
5	ADDR0207-P016A	BLACK	GOLD 15u" ON CONTACT AREA	90u" MIN NICKEL UNDER PLATED
			GOLD G/F ON SOLDER AREA	



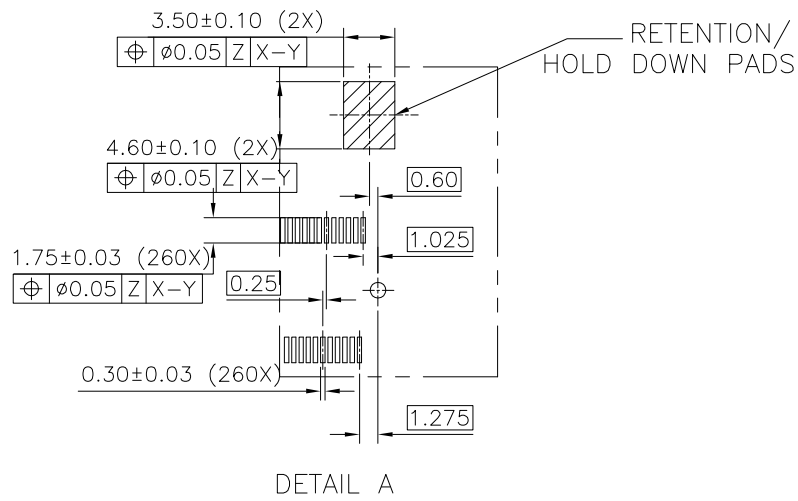
GENERAL TOLERANCES UNLESS SPECIFIED		PART NO. SEE TABLE	LOTES		
X ± 0.35	X° ± 3°				
.XX ± 0.25	X° ± 2°	APPROVED BY Barney	TITLE SODDR4 5.2H 260 PIN STD TYPE		
.XXX ± 0.15	.XX° ± 1°	CHECKED BY Vito	DWG NO. AP-ADDR0207		
CUSTOMER DRAWING		DRAWN BY XU	SHEET 2 / 5	SCALE 5 : 4	REV F
SIZE A4	UNITS MM [INCH]				

1 2 3 4 5 6 7 8

F
E
D
C
B
A



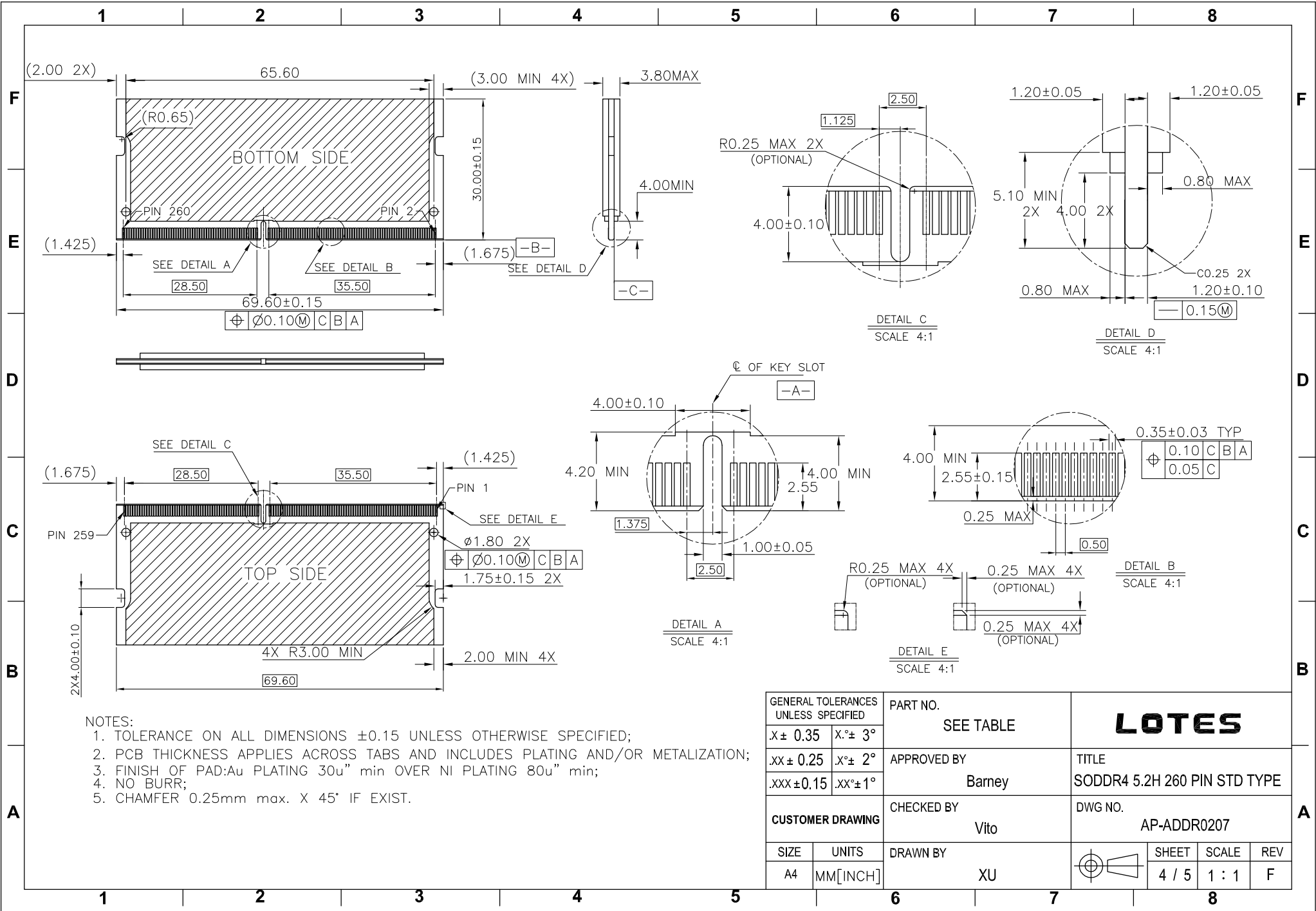
SCALE 2:1
TOP VIEW
RECOMMEND PCB LAYOUT (STANDARD)
THE TOLERANCES UNLESS SPECIFIED IS ±0.05MM

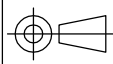


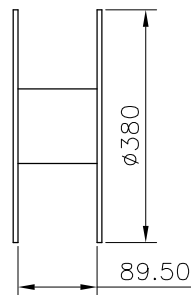
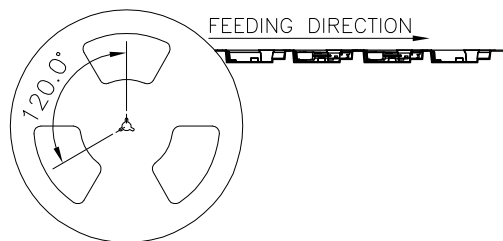
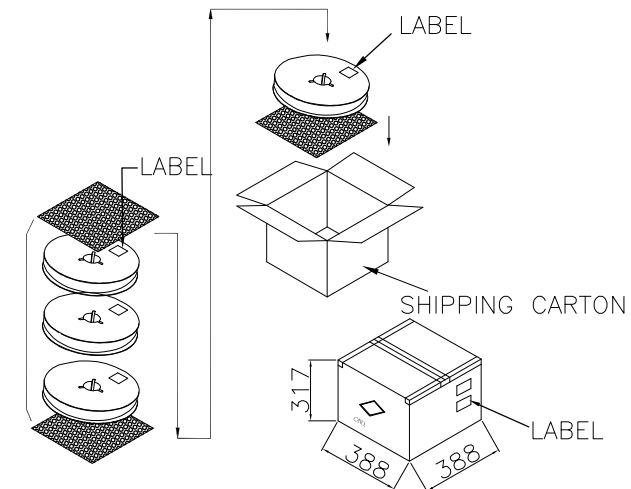
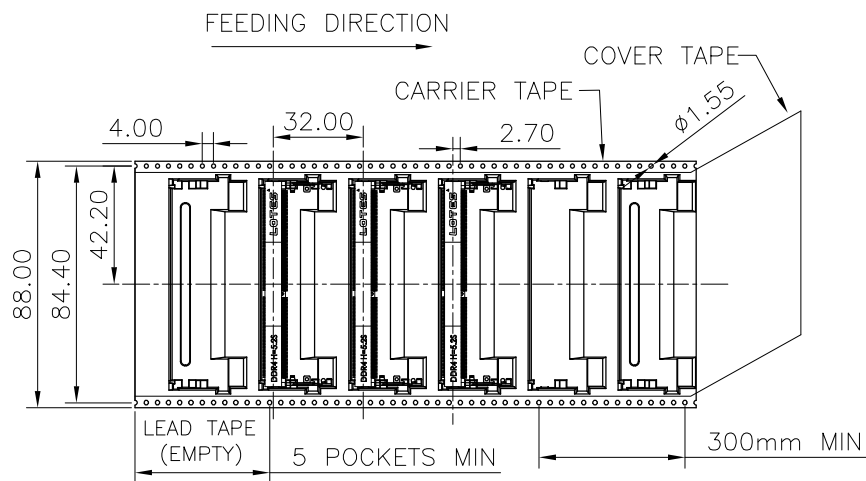
DETAIL A

GENERAL TOLERANCES UNLESS SPECIFIED		PART NO. SEE TABLE	LOTES		
X ± 0.35	X° ± 3°				
.XX ± 0.25	X° ± 2°	APPROVED BY Barney	TITLE SODDR4 5.2H 260 PIN STD TYPE		
.XXX ± 0.15	.XX° ± 1°	CHECKED BY Vito	DWG NO. AP-ADDR0207		
CUSTOMER DRAWING		DRAWN BY XU	SHEET 3 / 5	SCALE 1 : 1	REV F
SIZE A4	UNITS MM [INCH]				

1 2 3 4 5 6 7 8



GENERAL TOLERANCES UNLESS SPECIFIED		PART NO. SEE TABLE	LOTES			
X ± 0.35	X° ± 3°					
.XX ± 0.25	X° ± 2°	APPROVED BY Barney	TITLE SODDR4 5.2H 260 PIN STD TYPE			
.XXX ± 0.15	.XX° ± 1°	CHECKED BY Vito	DWG NO. AP-ADDR0207			
CUSTOMER DRAWING		DRAWN BY XU		SHEET	SCALE	REV
SIZE A4	UNITS MM [INCH]			4 / 5	1 : 1	F



NOTES:

1. MATERIAL :
 - 1.1 CARRY TAPE: PS
 - 1.2 COVER TAPE: PET
 - 1.3 SHIPPING CARTON: CORRUGATED FIBER
2. DIMENSION :
 - 2.1 REEL: W=88.0, $\phi A=380$
 - 2.2 SHIPPING CARTON: L=388, W=388, H=317 (INNER)
3. QUANTITY :
 - 3.1 PRIMARY PACKING: 300 PCS/REEL
 - 3.2 SECONDARY PACKING: 3 REELS/CARTON(900PCS)
4. PEELING RESISTANCE: 20gf~120gf.
5. PEELING SPEED: 300mm/minutes.

GENERAL TOLERANCES UNLESS SPECIFIED		PART NO. SEE TABLE	LOTES			
X ± 0.35	X° ± 3°					
.XX ± 0.25	X° ± 2°	APPROVED BY Barney	TITLE SODDR4 5.2H 260 PIN STD TYPE			
.XXX ± 0.15	.XX° ± 1°	CHECKED BY Vito	DWG NO. AP-ADDR0207			
CUSTOMER DRAWING		DRAWN BY XU		SHEET	SCALE	REV
SIZE A4	UNITS MM [INCH]			5 / 5	N/A	F

X-ON Electronics

Largest Supplier of Electrical and Electronic Components

Click to view similar products for [Standard Card Edge Connectors](#) category:

Click to view products by [LOTES](#) manufacturer:

Other Similar products are found below :

[CR7E-30DB-3.96E\(72\)](#) [6565204-6](#) [1437274-4](#) [EBT15622B2X](#) [1-582587-1](#) [284-0102-12100](#) [286-0052-12101A](#) [306022901000000](#) [307-012-502-202](#) [307-056-520-300](#) [A6D22DS29C2](#) [1926088-2](#) [287-0032-12101](#) [345-060-559-303](#) [392-008-559-201](#) [534671-1](#) [341-240-317](#) [345-044-500-300](#) [346-240-318](#) [387-012-523-300](#) [395-100-524-300](#) [09-07-2032](#) [10035388-802LF](#) [10115859-011LF](#) [10122859-009LF](#) [101269333204245CLF](#) [530555-1](#) [66925-516LF](#) [5145409-2](#) [73726-0005](#) [66308-1](#) [5036A30](#) [PEC-07-02-T-S-A](#) [346-014-520-801](#) [KSLX-62-BR](#) [307-048-502-202](#) [CE100F26-7-C](#) [CE100F28-3-D](#) [CE100F28-4-D](#) [CE156F18-9-C](#) [CE156F22-5-D](#) [CE156F22-9-C](#) [CT100F22-2-D](#) [CT100F22-3-D](#) [CT100F24-2-D](#) [CT100F24-3-D](#) [CT100F24-6-C](#) [CT156F22-4-D](#) [MLSS100-12-C](#) [MLSS100-16-C](#)