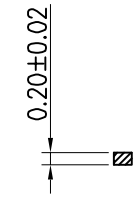
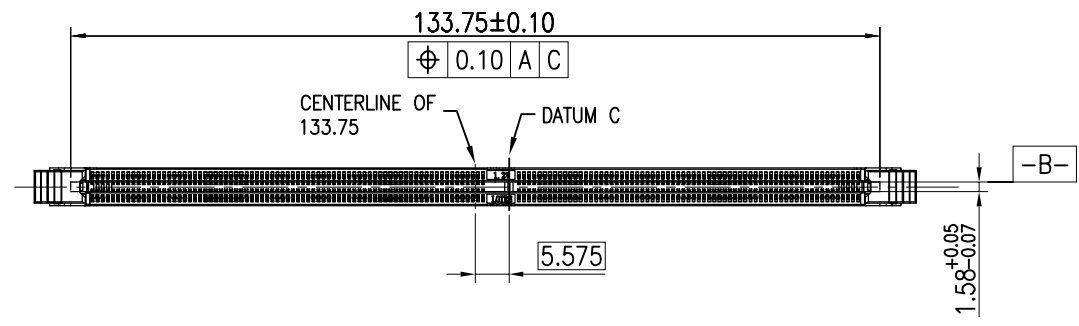
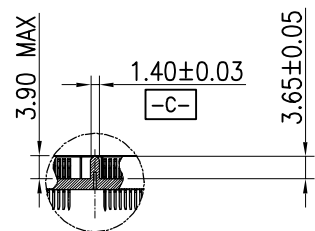
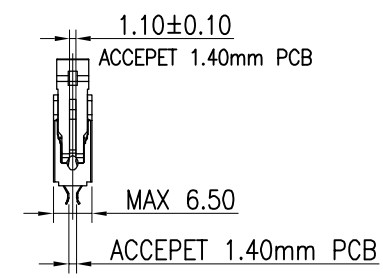
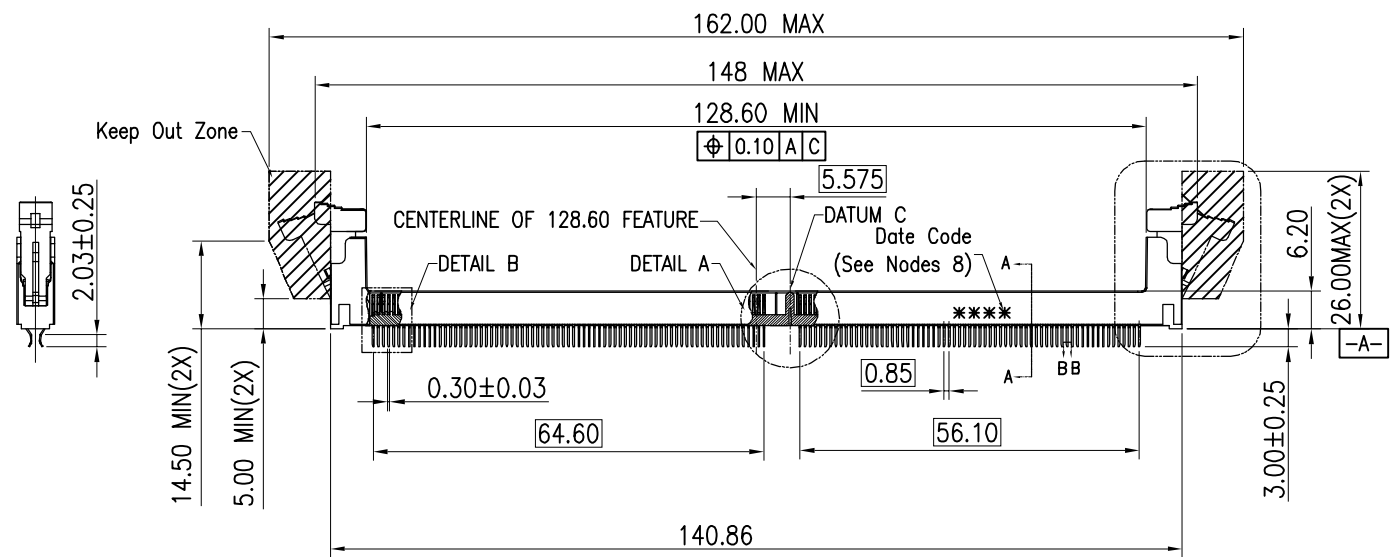


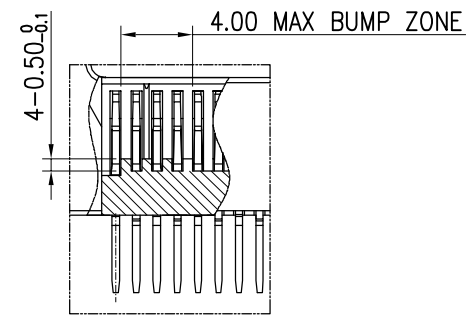
REV.	ECN NO./DESCRIPTION	DATE
A	R150249	02/19'16



SOLDER TAIL SECTION  
SECTION B-B(10:1)



DETAIL A  
SCALE 1:1

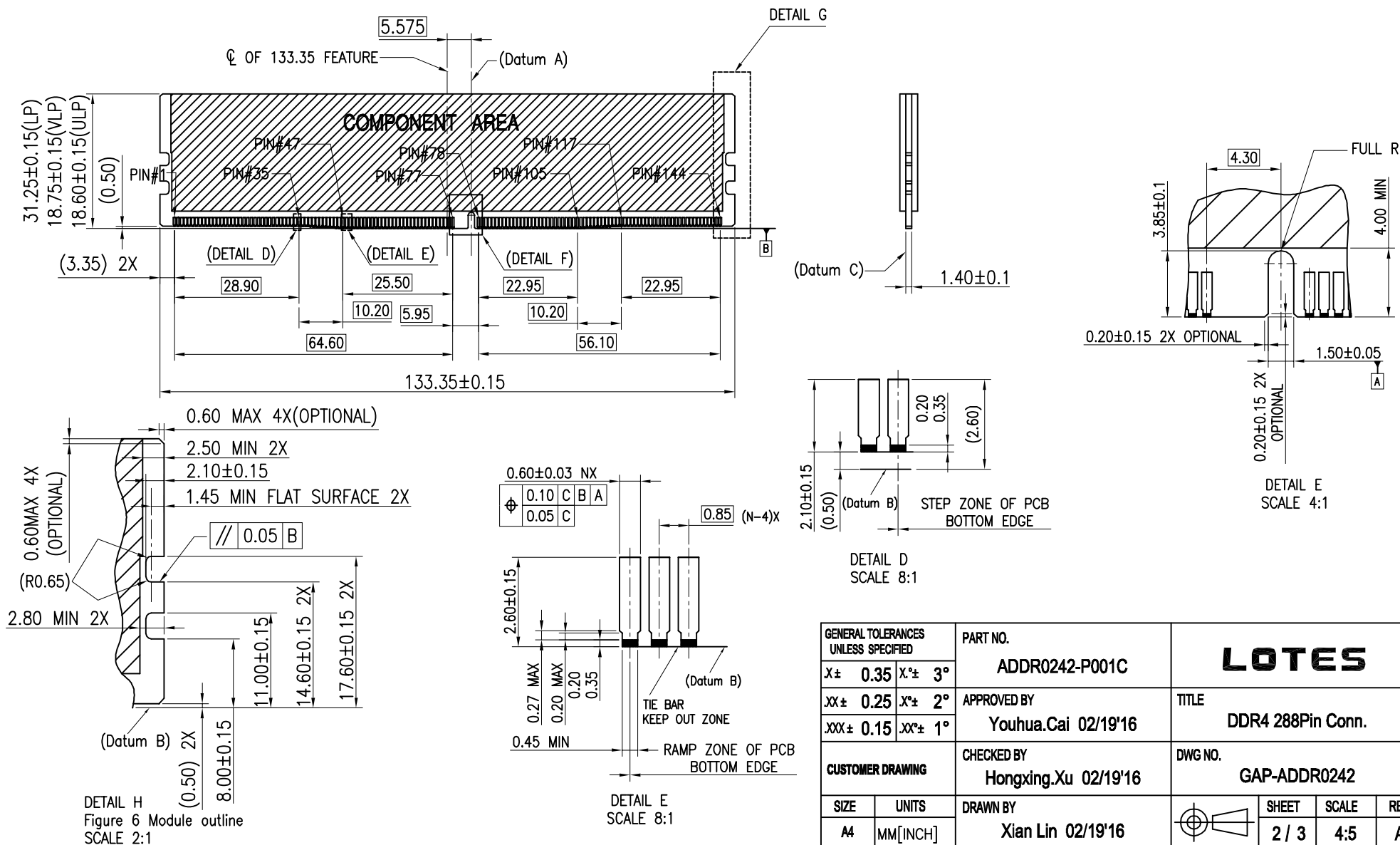


DETAIL B SCALE 4:1  
BUMPER BLOCK-4PCS ON EACH SIDE  
(8PCS TOTAL)

GENERAL TOLERANCES UNLESS SPECIFIED		PART NO. ADDR0242-P001C	<b>LOTES</b>		
X± 0.35	X°± 3°				
XX± 0.25	XX°± 2°	APPROVED BY Youhua.Cai 02/19'16	TITLE DDR4 288Pin Conn.		
XXX± 0.15	XXX°± 1°	CHECKED BY Hongxing.Xu 02/19'16	DWG NO. GAP-ADDR0242		
CUSTOMER DRAWING		DRAWN BY Xian Lin 02/19'16	SHEET 1 / 3	SCALE 4:5	REV A
SIZE A4	UNITS MM[INCH]				

REV.	ECN NO./DESCRIPTION	DATE
A	R150249	02/19'16

## RECOMMENDED PIN TAIL PCB LAYOUT



PART NO. <b>ADDR0242-P001C</b>		<b>LOTES</b>
APPROVED BY <b>Youhua.Cai 02/19'16</b>		
CHECKED BY <b>Hongxing.Xu 02/19'16</b>		TITLE <b>DDR4 288Pin Conn.</b>
DRAWN BY <b>Xian Lin 02/19'16</b>		DWG NO. <b>GAP-ADDR0242</b>
SIZE <b>A4</b>	UNITS <b>MM[INCH]</b>	SHEET <b>2 / 3</b>
		SCALE <b>4:5</b>
		REV <b>A</b>

REV.	ECN NO./DESCRIPTION	DATE
A	R150249	02/19'16

F

F

E

E

D

D

C

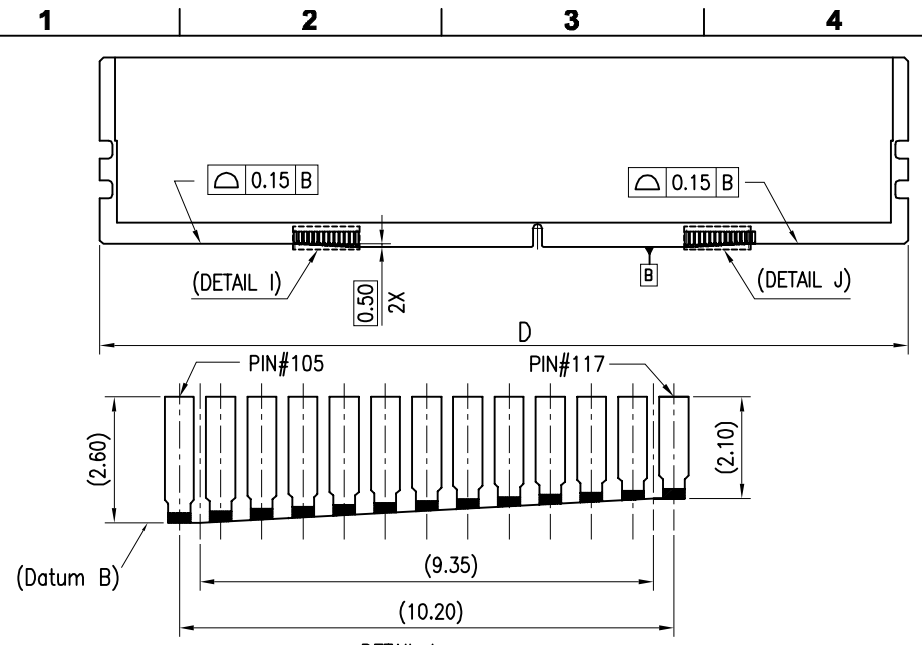
C

B

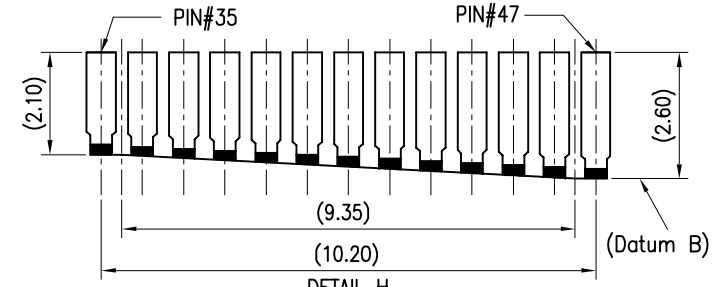
B

A

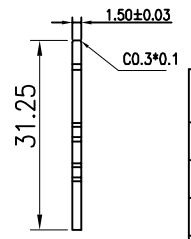
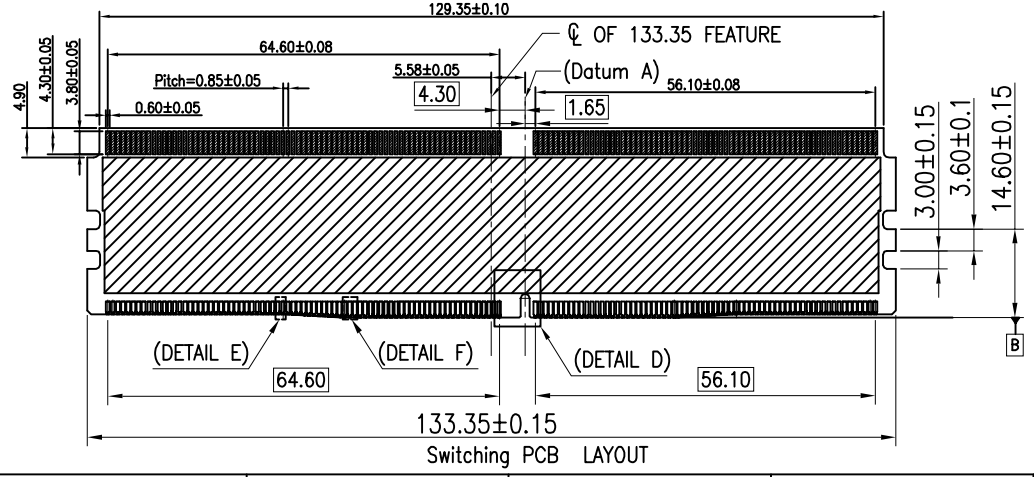
A



DETAIL I  
Figure 7 Step and ramp dimensions



DETAIL H



NOTES:

- MATERIAL: HOUSING: PA4T+30%GF Or PA10T+35%GF Or PA46+40%GF, UL94V-0, COLOR:SEE TABLE.  
EJECTOR: PA66+30%GF, UL94V-0, COLOR: SEE TABLE.  
CONTACT: SPECIFIC COPPER OR PHOSPHOR BRONZE.(DETAILS REFER TO TABLE)
- FINISH: CONTACT: 50u"MIN NICKEL UNDERPLATED;  
100u"MIN MATTE TIN PLATED ON SOLDER AREA.  
GOLD PLATING AT CONTACT AREA,THICKNESS SEE TABLE
- RECOMMENDED MODULE LAYOUT SHOULD BE MO-XXX FROM JEDEC.
- IR REFLOW:  
THE TEMPERATURE SHALL BE 260+5/-0° MAINTAINING 10 SECONDS
- MECHANICAL PERFORMANCE:  
5-1. INSERTION FORCE-MODULE TO CONNECTOR: 106.8N MAX  
5-2. INSERTION FORCE-CONNECTOR TO BOARD: 75N MAX  
5-3. DURABILITY: 25 CYCLES  
5-4. RETENTION FORCE: 300gf/PIN MIN  
5-5. UNMATING FORCE(PER PIN PAIR): 14gf MIN  
5-6. NORMAL FORCE:50gf MIN
- ELECTRICAL PERFORMANCE:  
6-1. VOLTAGE RATING: 1.2V±0.1V  
6-2. CURRENT RATING: 0.75A PER PIN MAX  
6-3. IMPEDANCE: 50ohm  
6-4. LLCR: 10mΩ MAX.(INITIAL), ΔR: 10mΩ MAX  
6-5. INSULATION RESISTANCE: 500V DC, 1MΩ MIN  
6-6. DIELECTRIC WITHSTANDING VOLTAGE: APPLY 500V AC, NO BREAKDOWN.
- ROHS AND HF COMPLIANT.

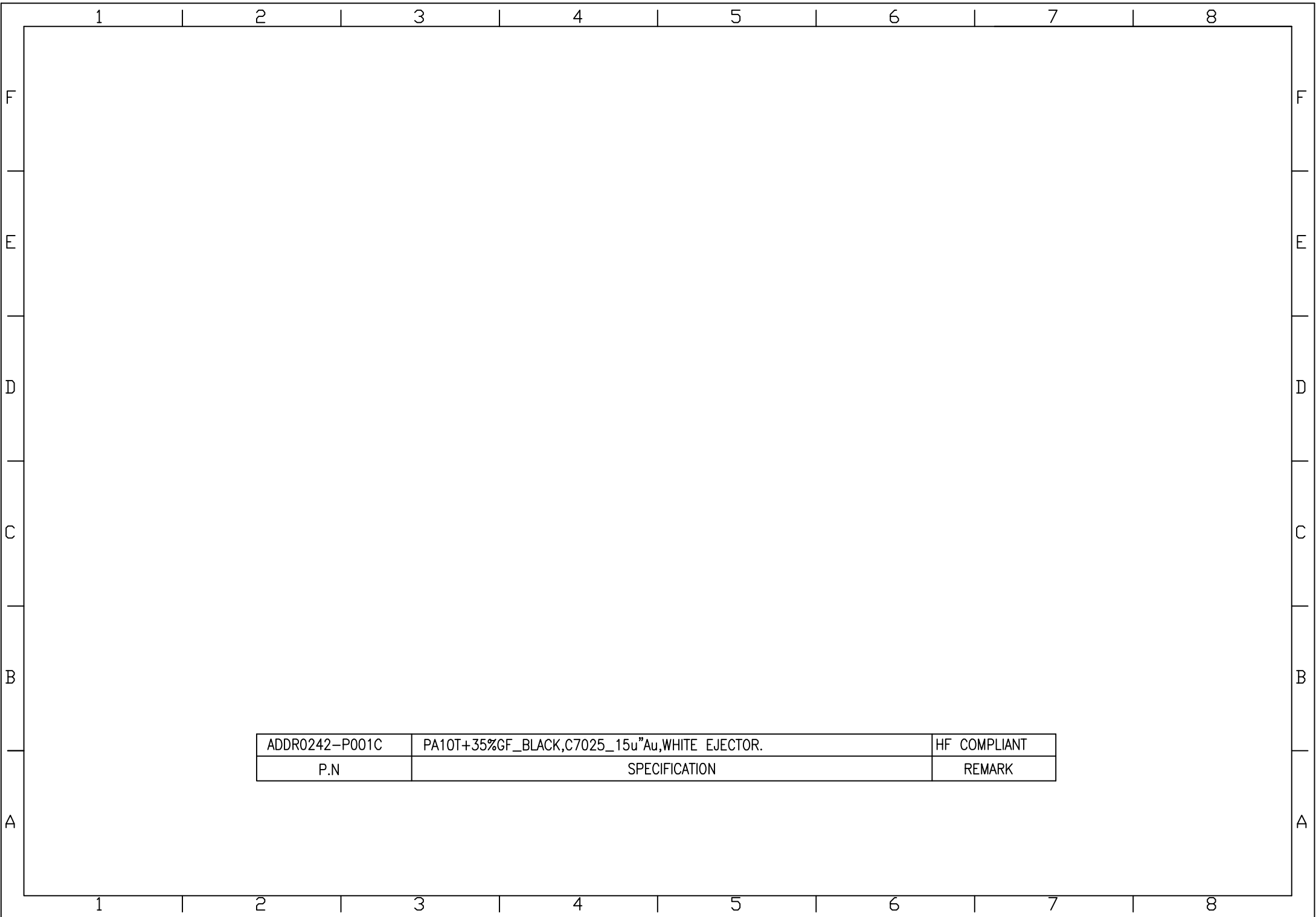
8. D/C \*\* \*\* WEEK  
YEAR

9.PRODUCT NUMBER NOTE:

ADDRXXXX-XXXXXX

- ADDRXXXX - CUSTOMER NUMBER
- XXXXXX - TRAY PACKING
- XXXXXX - PRODUCT SERIES NUMBER
- XXXXXX - P:HF COMPLIANT/K:ROHS COMPLIANT
- XXXXXX - TYPE SERIES NUMBER
- XXXXXX - DDR TYPE
- XXXXXX - FINISHED PRODUCT

GENERAL TOLERANCES UNLESS SPECIFIED		PART NO.	<b>LOTES</b>		
X± 0.35	X°± 3°	ADDR0242-P001C	TITLE DDR4 288Pin Conn.		
XX± 0.25	X°± 2°	APPROVED BY Youhua.Cai 02/19'16	DWG NO. GAP-ADDR0242		
XXX± 0.15	XX°± 1°	CHECKED BY Hongxing.Xu 02/19'16	DRAWN BY Xian Lin 02/19'16		
SIZE A4	UNITS MM[INCH]		SHEET 3 / 3	SCALE 4:5	REV A



ADDR0242-P001C	PA10T+35%GF_BLACK,C7025_15u"Au,WHITE EJECTOR.	HF COMPLIANT
P.N	SPECIFICATION	REMARK

## X-ON Electronics

Largest Supplier of Electrical and Electronic Components

*Click to view similar products for [Standard Card Edge Connectors](#) category:*

*Click to view products by [LOTES](#) manufacturer:*

Other Similar products are found below :

[CR7E-30DB-3.96E\(72\)](#) [6565204-6](#) [1437274-4](#) [EBT15622B2X](#) [EBT156-22R2W](#) [1-582587-1](#) [284-0102-12100](#) [286-0052-12101A](#)  
[306022901000000](#) [307-056-520-300](#) [A6D22DS29C2](#) [1926088-2](#) [245-062-520-350](#) [287-0032-12101](#) [306-028-525-102](#) [307-072-526-202](#) [345-](#)  
[060-559-303](#) [534671-1](#) [341-240-317](#) [345-044-500-300](#) [346-240-318](#) [395-100-524-300](#) [09-07-2032](#) [10035388-802LF](#) [10115859-011LF](#)  
[10122859-009LF](#) [101269333204245CLF](#) [530555-1](#) [66925-516LF](#) [5145409-2](#) [73726-0005](#) [66308-1](#) [5036A30](#) [PEC-07-02-T-S-A](#) [KSLX-62-](#)  
[BR](#) [CE100F26-7-C](#) [CE100F28-3-D](#) [CE100F28-4-D](#) [CE156F22-9-C](#) [CT100F24-3-D](#) [CT100F24-6-C](#) [MLSS100-12-C](#) [SCC100F-11-C](#)  
[SCC100F-20-C](#) [SCC100F-24-C](#) [SCC100F-25-C](#) [3-530656](#) [285-0112-12300](#) [346-068-556-300](#) [284-0492-11000](#)