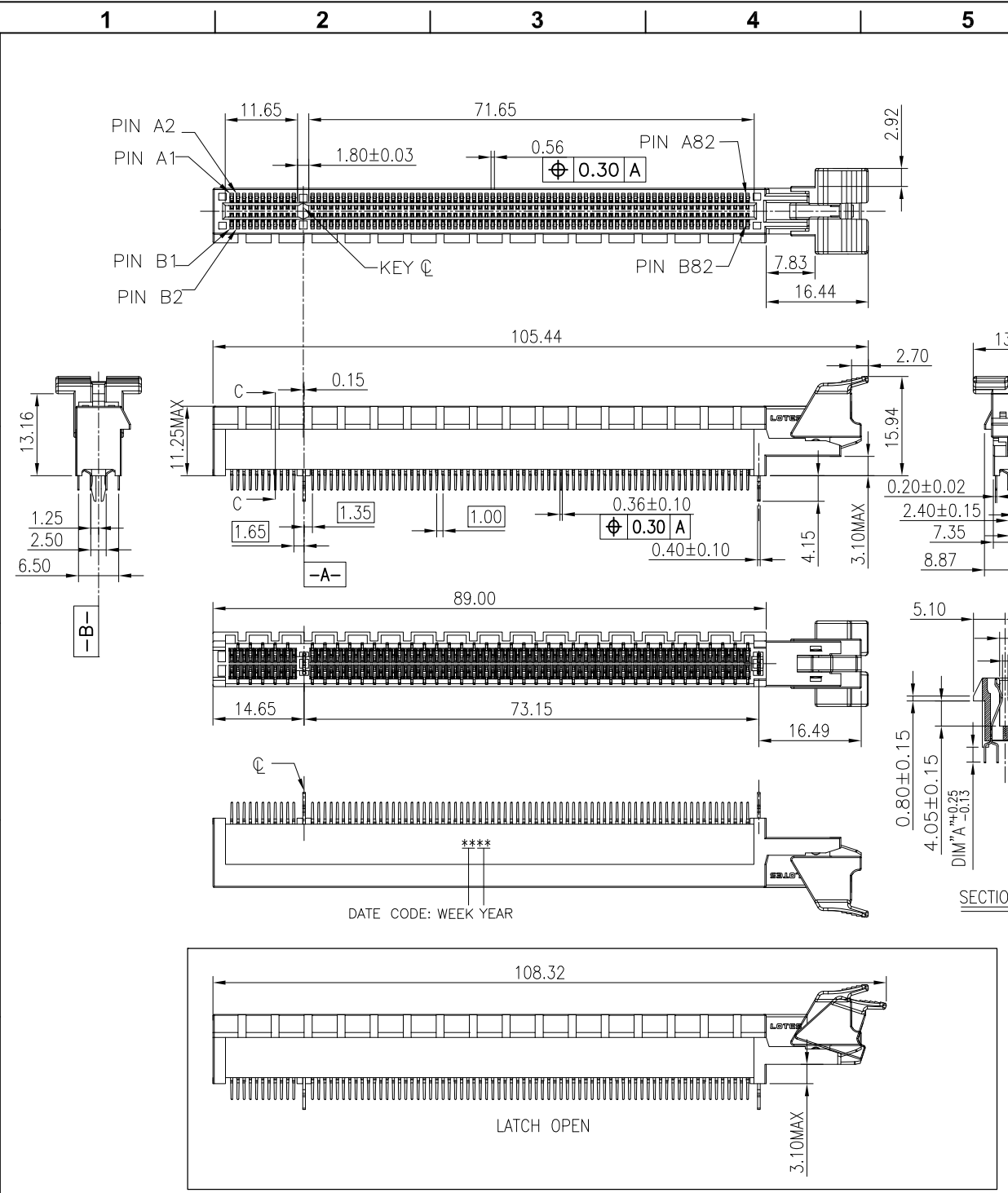
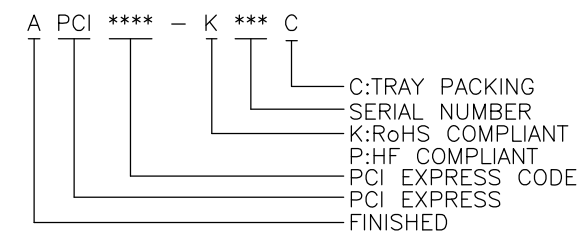


REV.	ECN NO./DESCRIPTION	DATE
1	N130762	11/06'13
2	N140095	03/04'14
3	N140306	07/02'14

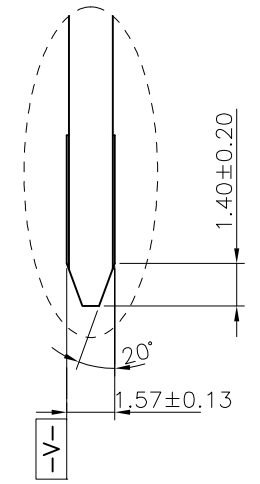
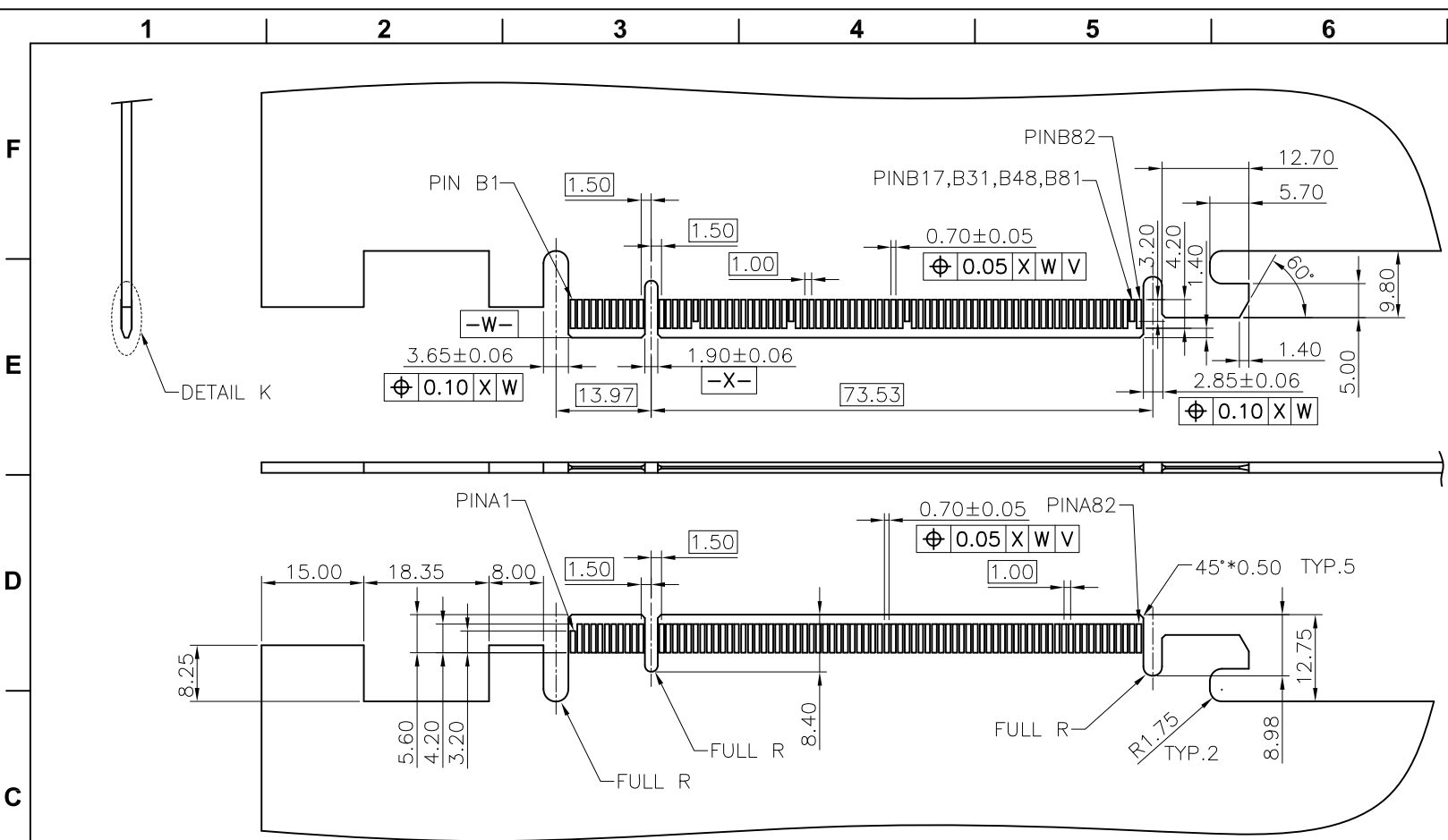
NOTES:

- MATERIAL:  
HOUSING:PA66+30%GF ; COLOR:SEE TABLE  
LATCH:PA66+30%GF.COLOR: SEE TABLE  
TERMINAL:BRASS C2680 OR PHOSPHOR BRONZE C5191  
HOOK: S50C;
- FINISH:  
TERMINAL: 50u" NI PLATING OVER ALL;  
100u" MATTE Sn PLATING ON SOLDER TAIL;  
GOLD PLATING ON CONTACT AREA.  
HOOK: 50u" NI MIN PLATING OVER ALL.
- MECHANICAL SPEC:  
DURABILITY: 50 CYCLES.  
RETENTION FORCE: 0.40 kgf MIN PER PIN.  
MATING FORCE: 1.15N MAX PER PAIR.  
UNMATING FORCE: 0.15N MIN PER PAIR.
- ELECTRICAL SPEC:  
CURRENT RATING: 1.1A.  
CONTACT RESISTANCE: 30 MILLIOHMS MAX. INITIAL.  
INSULATION RESISTANCE: 1000 MEGOHMS MIN.  
DIELECTRIC WITHSTANDING VOLTAGE: 500V AC MIN.
- WAVE SOLDERING:  
THE CONNECTOR SHALL BE MOUNTED ON THE PCB,  
THE TEMPERATURE OF THE SOLDER SHALL BE  
260±5°C AND IMMERSION DURATION 10±2 SECONDS.
- RoHS COMPLIANT OR HALOGEN FREE COMPLIANT.
- PRODUCT NUMBER NOTE:



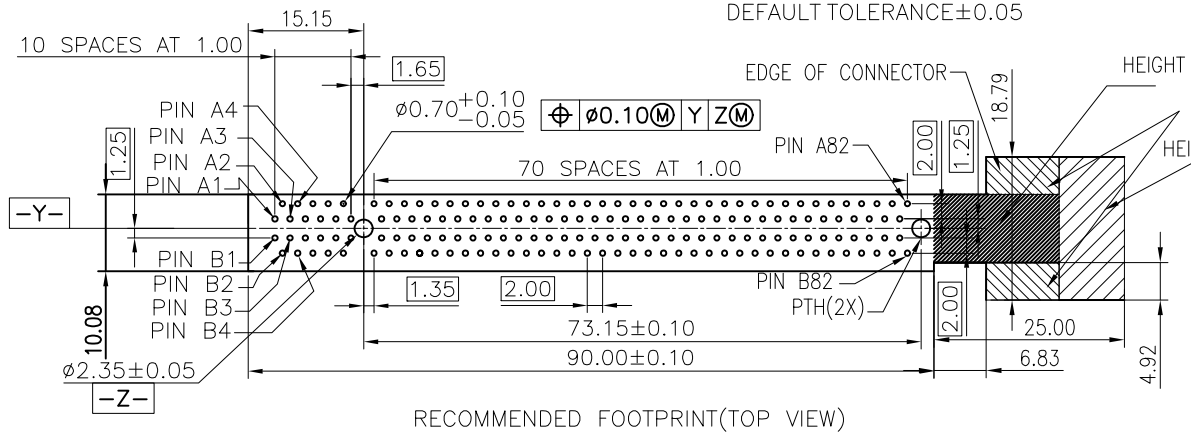
GENERAL TOLERANCES UNLESS SPECIFIED		PART NO.	<b>LOTES</b>		
.X± 0.35	X°± 3°	APCI0081-K001C			
.XX± 0.25	X°± 2°	APPROVED BY	164PIN PCI-E CONNECTOR WITH DOUBLE PUSH LATCH		
.XXX± 0.15	.XX°± 1°	Bill 07/02'14	DWG NO.		
CUSTOMER DRAWING		CHECKED BY	GAP-APCI0081		
SIZE	UNITS	DRAWN BY	SHEET	SCALE	REV
A4	MM[INCH]	Mark zhang 07/02'14			

REV.	ECN NO./DESCRIPTION	DATE
1	N130762	11/06'13
2	N140095	03/04'14
3	N140306	07/02'14



DETAIL K  
SCALE 4:1

ADD-IN CARD EDGE-FINGER DIMENSIONS  
DEFAULT TOLERANCE  $\pm 0.05$



RECOMMENDED FOOTPRINT (TOP VIEW)  
DEFAULT TOLERANCE  $\pm 0.05$

GENERAL TOLERANCES UNLESS SPECIFIED		PART NO. APCI0081-K001C	<b>LOTES</b>		
.X $\pm$ 0.35	X° $\pm$ 3°				
.XX $\pm$ 0.25	X° $\pm$ 2°	APPROVED BY Bill 07/02'14	TITLE 164PIN PCI-E CONNECTOR WITH DOUBLE PUSH LATCH		
.XXX $\pm$ 0.15	.XX° $\pm$ 1°	CHECKED BY Bill 07/02'14	DWG NO. GAP-APCI0081		
CUSTOMER DRAWING		DRAWN BY Mark zhang 07/02'14	SHEET SCALE REV 2 / 2 1:1 3		
SIZE A4	UNITS MM [INCH]	DRAWN BY Mark zhang 07/02'14			

TABLE

PART NO:	SPEC				
	HOUSING	LATCH	TERMINAL	HOOK	DIM"A"
APCI0081-K001C	PA66+30%GF_BLACK UL-94V0	PA66+30%GF_BLACK UL-94V0	BRASS C2680_1u"	S50C	2.54
APCI0081-K002C	PA66+30%GF_DARK BLUE293C UL-94V0	PA66+30%GF_DARK BLUE293C UL-94V0	BRASS C2680_1u"	S50C	2.54
APCI0081-K003C	PA66+30%GF_GRAY 431C UL-94V0	PA66+30%GF_GRAY 431C UL-94V0	BRASS C2680_1u"	S50C	2.54
APCI0081-K005C	PA66+30%GF_BEIGE 7530C UL-94V0	PA66+30%GF_BEIGE 7530C UL-94V0	BRASS C2680_1u"	S50C	2.54
APCI0081-K006C	PA66+30%GF_WHITE UL-94V0	PA66+30%GF_WHITE UL-94V0	BRASS C2680_1u"	S50C	2.54
APCI0081-K008C	PA66+30%GF_GREEN 376C UL-94V0	PA66+30%GF_GREEN 376C UL-94V0	BRASS C2680_1u"	S50C	2.54
APCI0081-K011C	PA66+30%GF_BLACK UL-94V0	PA66+30%GF_BLACK UL-94V0	BRASS C2680_15u"	S50C	2.54
APCI0081-K012C	PA66+30%GF_SNOWY WHITE UL-94V0	PA66+30%GF_SNOWY WHITE UL-94V0	BRASS C2680_1u"	S50C	2.54
APCI0081-K017C	PA66+30%GF_RED G1795U UL-94V0	PA66+30%GF_RED G1795U UL-94V0	BRASS C2680_1u"	S50C	2.54

## X-ON Electronics

Largest Supplier of Electrical and Electronic Components

*Click to view similar products for [Standard Card Edge Connectors](#) category:*

*Click to view products by [LOTES](#) manufacturer:*

Other Similar products are found below :

[CR7E-30DB-3.96E\(72\)](#) [6565204-6](#) [1437274-4](#) [EBT15622B2X](#) [1-582587-1](#) [284-0102-12100](#) [286-0052-12101A](#) [306022901000000](#) [307-012-502-202](#) [307-056-520-300](#) [A6D22DS29C2](#) [1926088-2](#) [287-0032-12101](#) [345-060-559-303](#) [392-008-559-201](#) [534671-1](#) [341-240-317](#) [345-044-500-300](#) [346-240-318](#) [387-012-523-300](#) [395-100-524-300](#) [09-07-2032](#) [10035388-802LF](#) [10115859-011LF](#) [10122859-009LF](#) [101269333204245CLF](#) [530555-1](#) [66925-516LF](#) [5145409-2](#) [73726-0005](#) [66308-1](#) [5036A30](#) [PEC-07-02-T-S-A](#) [346-014-520-801](#) [KSLX-62-BR](#) [307-048-502-202](#) [CE100F26-7-C](#) [CE100F28-3-D](#) [CE100F28-4-D](#) [CE156F18-9-C](#) [CE156F22-5-D](#) [CE156F22-9-C](#) [CT100F22-2-D](#) [CT100F22-3-D](#) [CT100F24-2-D](#) [CT100F24-3-D](#) [CT100F24-6-C](#) [CT156F22-4-D](#) [MLSS100-12-C](#) [MLSS100-16-C](#)