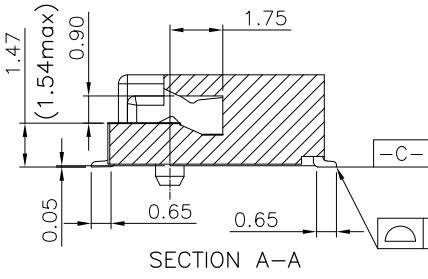
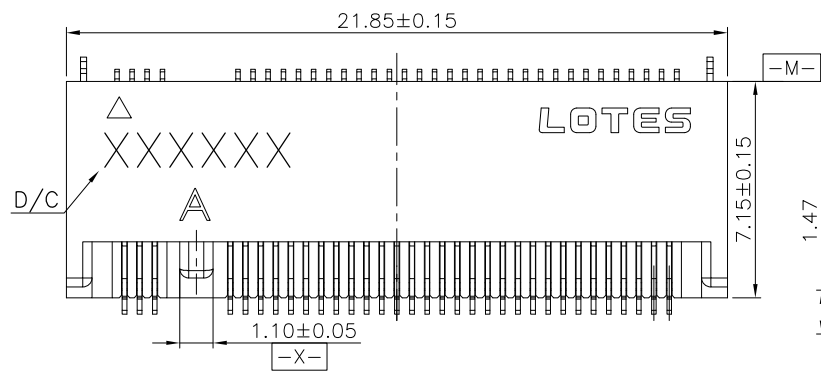


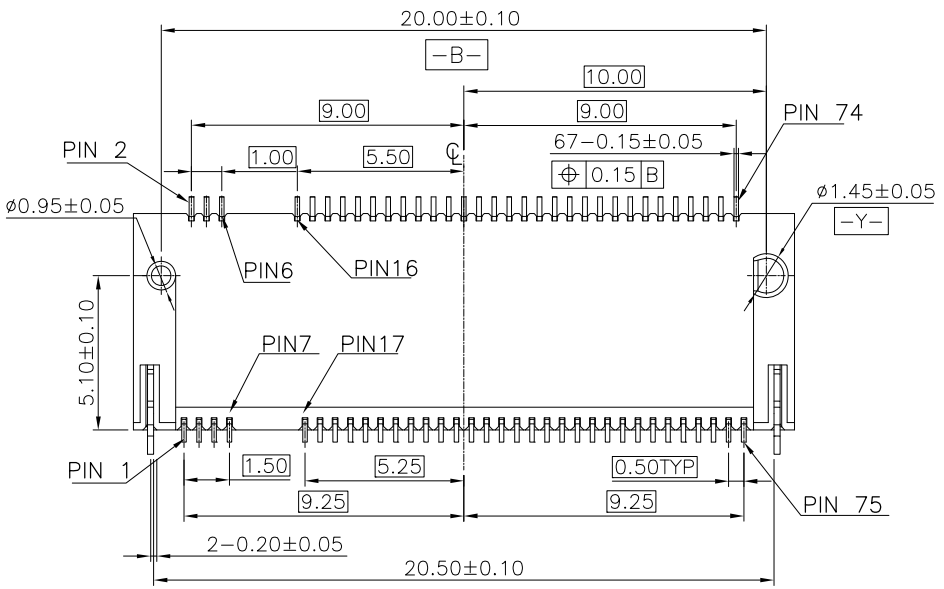
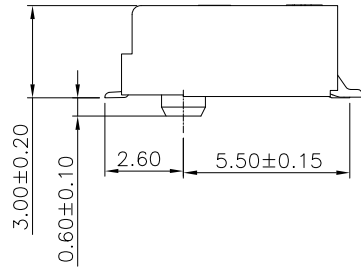
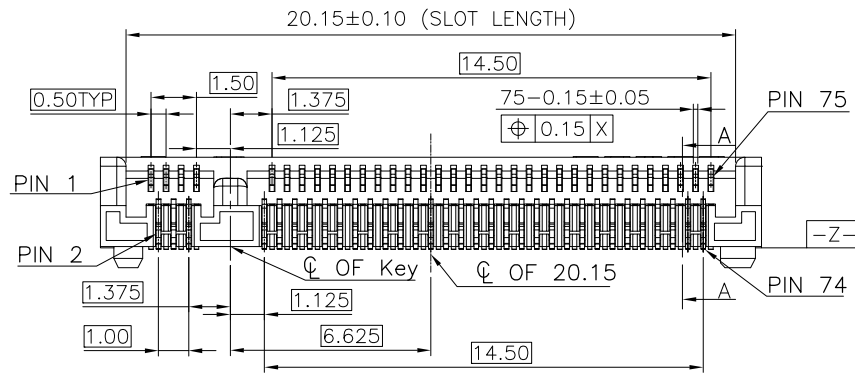
REV.	ECR/N NO./DESCRIPTION	DATE	DRAWN	CHECKED	APPROVE
A	RD13020	05/20'14	Jinjin.Tu	Vito	Barney



- NOTES:
- MATERIAL SPECIFICATION:
 - HOUSING: LCP+40%GF, UL94V-0, COLOR: BLACK.
 - CONTACT: COPPER ALLOY.
 - SMT TAB: S50C.
 - PLATING SPECIFICATION:
 - CONTACT:
 - 50u" MIN. NICKEL UNDER PLATING OVER ALL. G/F PLATING ON SOLDER AREA. GOLD PLATING ON CONTACT AREA: SEE TABLE
 - SMT TAB:
 - 50u" MIN. NICKEL UNDER PLATING OVER ALL.
 - 80u" MIN. MATTE TIN PLATING ON SOLDER AREA.
 - HF COMPLIANT, ROHS COMPLIANT.
 - DATE CODE: XXXXXX
 - DAY
 - WEEK
 - YEAR
 - MECHANICAL PERFORMANCE:
 - DURABILITY: SEE TABLE
 - ELECTRICAL PERFORMANCE:
 - CURRENT: 0.5A PER PIN.
 - LLCR: INITIAL 55mΩ MAX.; FINAL ΔLLCR=20mΩ MAX..
 - IR REFLOW:

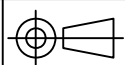
THE TEMPERATURE SHALL BE 260±5°C MAINTAINING 10±1 SECONDS.
 - PRODUCT NUMBER NOTE

A	P	C	I	X	X	X	X	X	X	X	X	X	X	X
CUSTOMER CODE			PACKING TYPE			PRODUCT SERIAL NUMBER			K:RoHS COMPLIANT/P:HF COMPLIANT			TYPE SERIAL NUMBER		
PRODUCT TYPE												FINISHED PRODUCT		

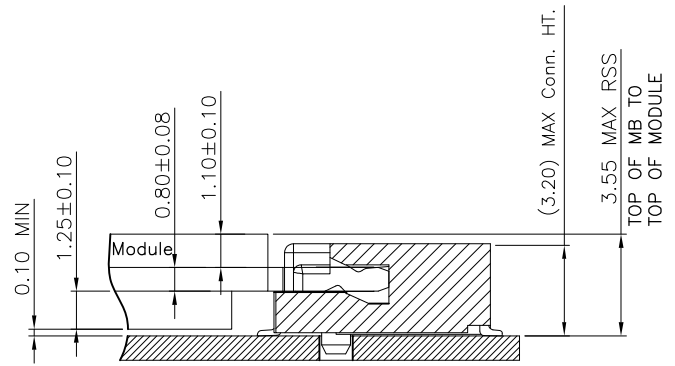


APCI0084-P003A	10u" MIN. GOLD	25 CYCLES.
APCI0084-P002A	1~3u" MIN. GOLD	25 CYCLES.
APCI0084-P001A	30u" MIN. GOLD	60 CYCLES.
PART NO.	CONTACT PLATING	DURABILITY

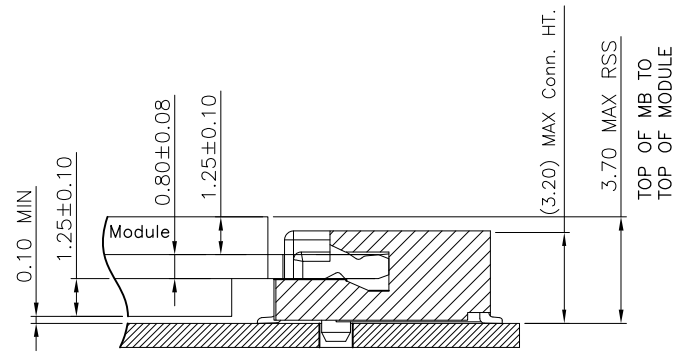
GENERAL TOLERANCES UNLESS SPECIFIED		PART NO.		LOTES		
X± 0.35	X.°± 3°	SEE TABLE				
XX± 0.25	X.°± 2°	APPROVED BY		TITLE		
.XXX± 0.15	.XX°± 1°	Barney 09/04'13		0.5Pitch 67pin M.2 H3.2(KEY A)		
CUSTOMER DRAWING		CHECKED BY		DWG NO.		
		Vito 09/04'13		AP-APCI0084-P		
SIZE	UNITS	DRAWN BY		SHEET	SCALE	REV
A4	MM [INCH]	Jinjin.Tu 09/04'13				



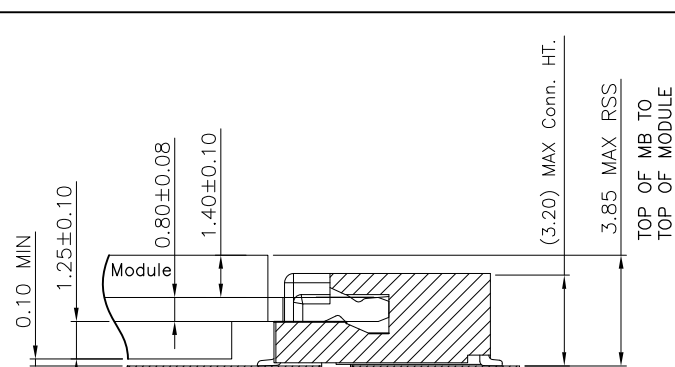
Assembly stack height schematic diagram



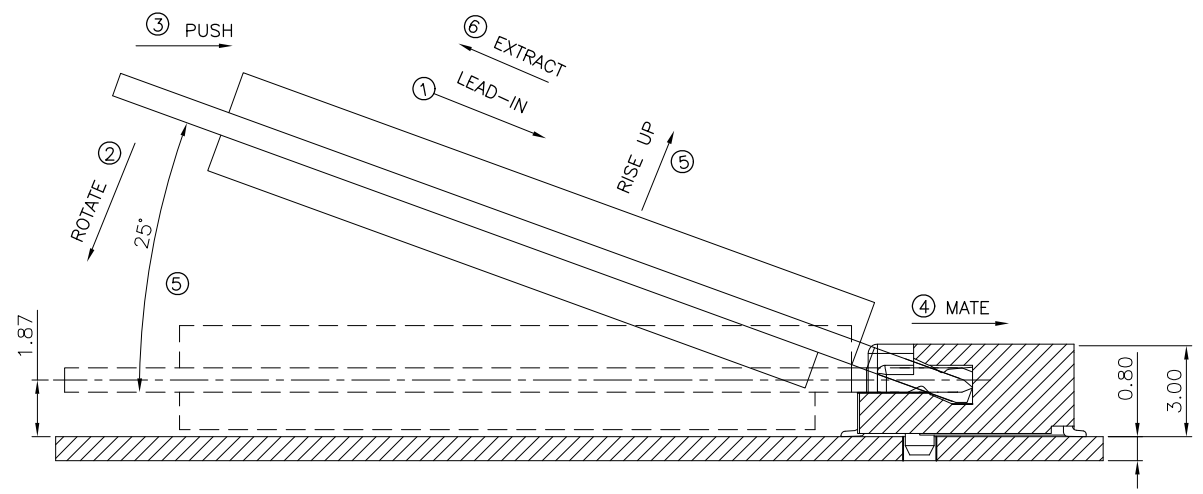
Stack-up Top Mount Double Sided Module for 1.20 max top-side component height



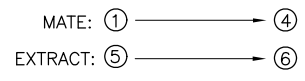
Stack-up Top Mount Double Sided Module for 1.35 max top-side component height



Stack-up Top Mount Double Sided Module for 1.5 max top-side component height

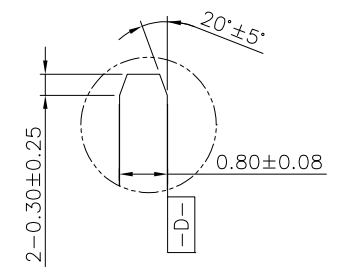
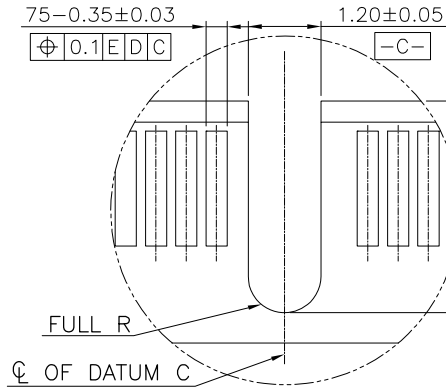
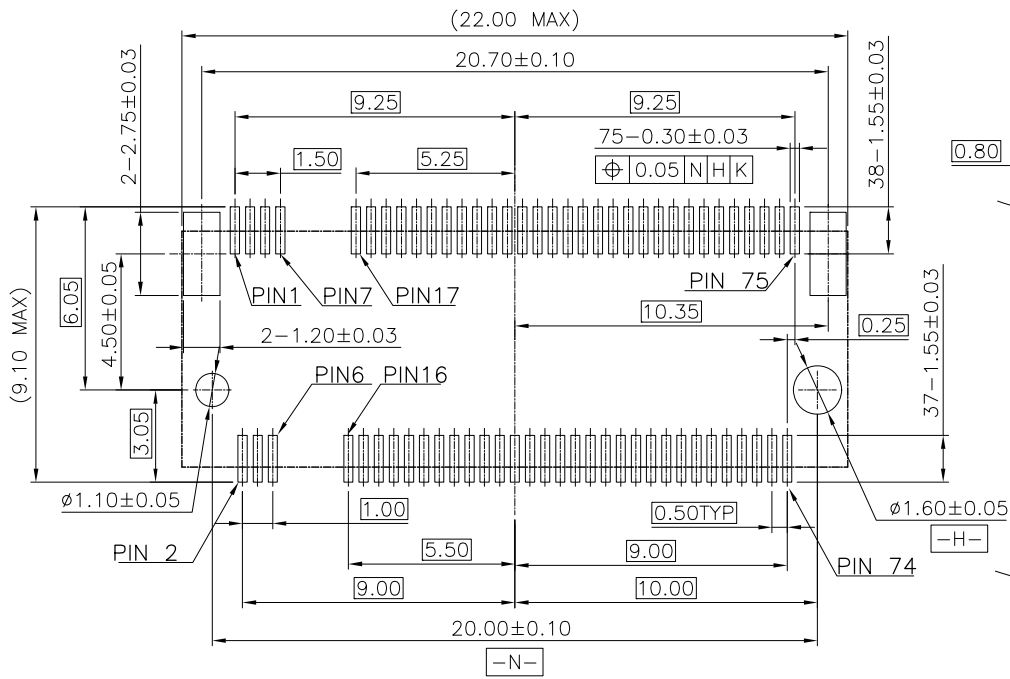
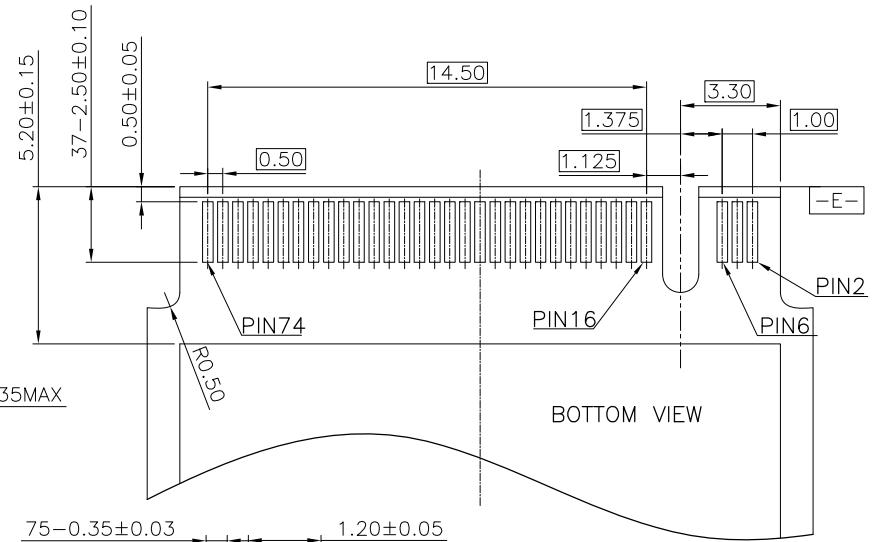
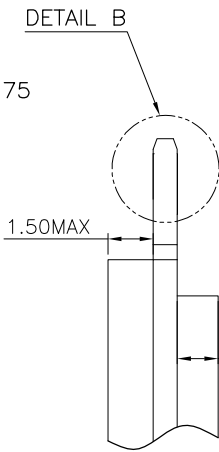
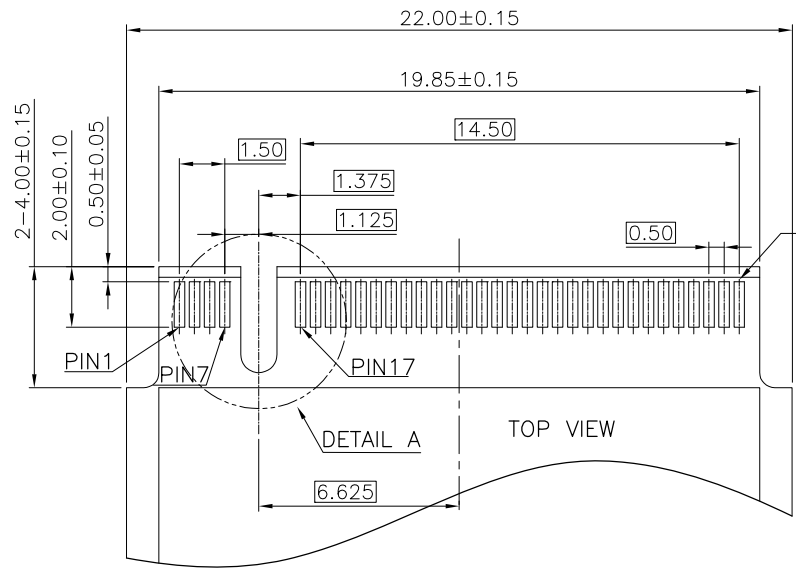


HOW TO MATE AND EXTRACT



NOTE: Mating force will generate from step 3 to step 4.

GENERAL TOLERANCES UNLESS SPECIFIED		PART NO. SEE TABLE		LOTES			
.X ± 0.35	X.° ± 3°	APPROVED BY Barney 09/04'13					TITLE 0.5Pitch 67pin M.2 H3.2(KEY A)
.XX ± 0.25	.X.° ± 2°	CHECKED BY Vito 09/04'13		DWG NO. AP-APCI0084-P			
.XXX ± 0.15	.XX.° ± 1°	CUSTOMER DRAWING		DRAWN BY Jinjin.Tu 09/04'13			
SIZE A4	UNITS MM [INCH]	DRAWN BY Jinjin.Tu 09/04'13			SHEET 2 / 4	SCALE 4 : 1	REV A



RECOMMENDED PCB LAYOUT(TOP VIEW)
 DEFAULT TOLERANCE ±0.05MM

GENERAL TOLERANCES UNLESS SPECIFIED		PART NO.		LOTES		
SEE TABLE		SEE TABLE				
X ± 0.35 X° ± 3°		APPROVED BY		TITLE		
XX ± 0.25 X° ± 2°		Barney 09/04'13		0.5Pitch 67pin M.2 H3.2(KEY A)		
.XXX ± 0.15 .XX° ± 1°		CHECKED BY		DWG NO.		
CUSTOMER DRAWING		Vito 09/04'13		AP-APCI0084-P		
SIZE	UNITS	DRAWN BY		SHEET	SCALE	REV
A4	MM [INCH]	Jinjin.Tu 09/04'13				

1 2 3 4 5 6 7 8

F

F

E

E

D

D

C

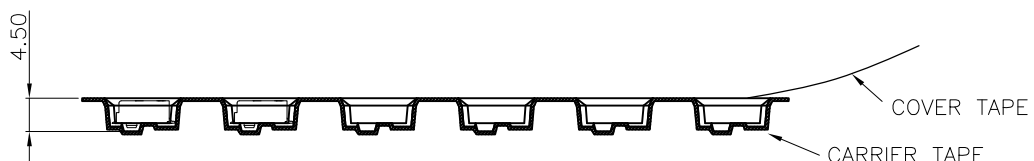
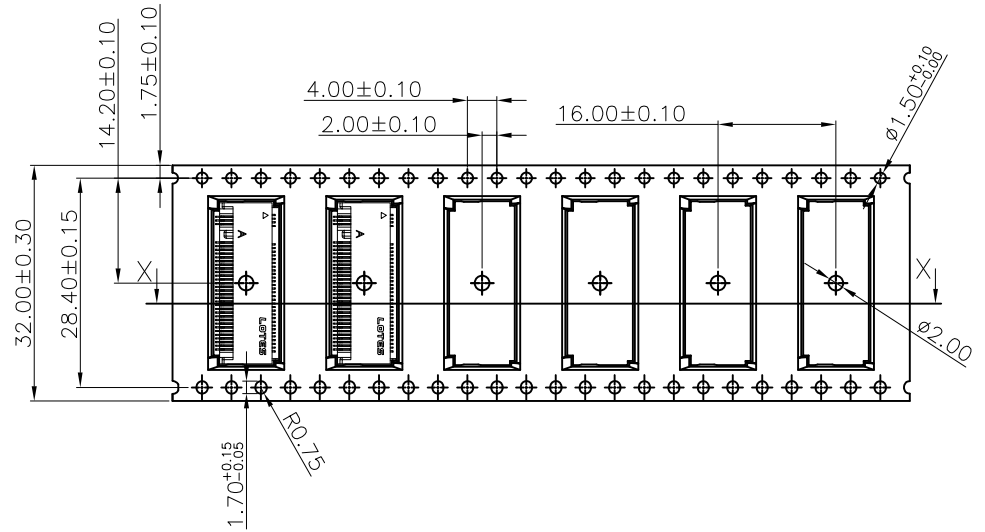
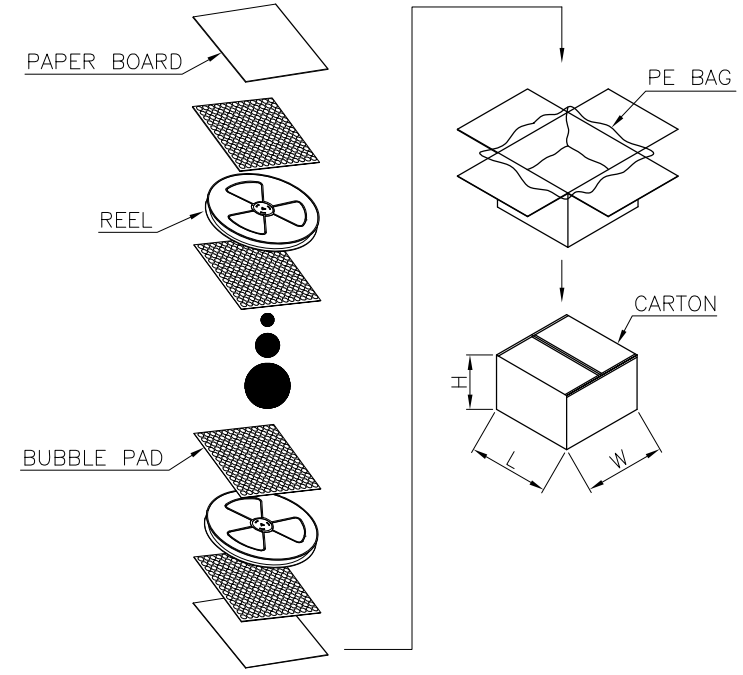
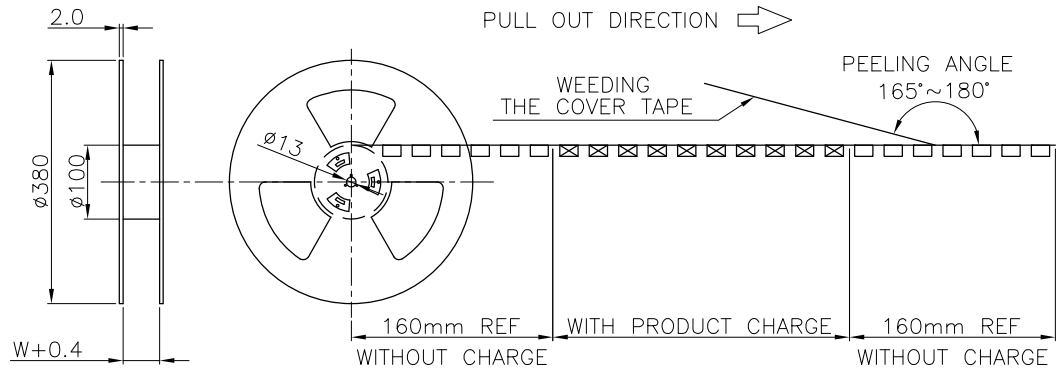
C

B

B

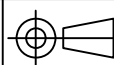
A

A



1200	9600
PCS/REEL	PCS/CARTON

GENERAL TOLERANCES UNLESS SPECIFIED		PART NO.		LOTES		
SEE TABLE		SEE TABLE				
.X ± 0.35	X.° ± 3°	APPROVED BY		TITLE		
.XX ± 0.25	.X.° ± 2°	Barney 09/04'13		0.5Pitch 67pin M.2 H3.2(KEY A)		
.XXX ± 0.15	.XX.° ± 1°	CHECKED BY		DWG NO.		
CUSTOMER DRAWING		Vito 09/04'13		AP-APCI0084-P		
SIZE	UNITS	DRAWN BY		SHEET	SCALE	REV
A4	MM [INCH]	Jinjin.Tu 09/04'13				



1 2 3 4 5 6 7 8

X-ON Electronics

Largest Supplier of Electrical and Electronic Components

Click to view similar products for [Standard Card Edge Connectors](#) category:

Click to view products by [LOTES](#) manufacturer:

Other Similar products are found below :

[CR7E-30DB-3.96E\(72\)](#) [6565204-6](#) [1-582587-1](#) [284-0102-12100](#) [286-0052-12101A](#) [306022901000000](#) [307-012-502-202](#) [307-056-520-300](#)
[A6D22DS29C2](#) [1926088-2](#) [287-0032-12101](#) [345-060-559-303](#) [392-008-559-201](#) [534671-1](#) [341-240-317](#) [345-044-500-300](#) [346-240-318](#)
[387-012-523-300](#) [395-100-524-300](#) [09-07-2032](#) [10035388-802LF](#) [10115859-011LF](#) [10122859-009LF](#) [101269333204245CLF](#) [530555-1](#)
[66925-516LF](#) [5145409-2](#) [73726-0005](#) [66308-1](#) [5036A30](#) [PEC-07-02-T-S-A](#) [346-014-520-801](#) [KSLX-62-BR](#) [307-048-502-202](#) [CE100F26-7-](#)
[C](#) [CE100F28-3-D](#) [CE100F28-4-D](#) [CE156F18-9-C](#) [CE156F22-5-D](#) [CE156F22-9-C](#) [CT100F22-2-D](#) [CT100F22-3-D](#) [CT100F24-2-D](#)
[CT100F24-3-D](#) [CT100F24-6-C](#) [CT156F22-4-D](#) [MLSS100-12-C](#) [MLSS100-16-C](#) [SCC100F-11-C](#) [SCC100F-16-C](#)