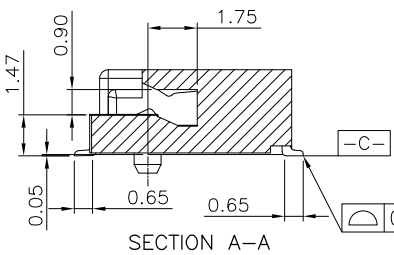
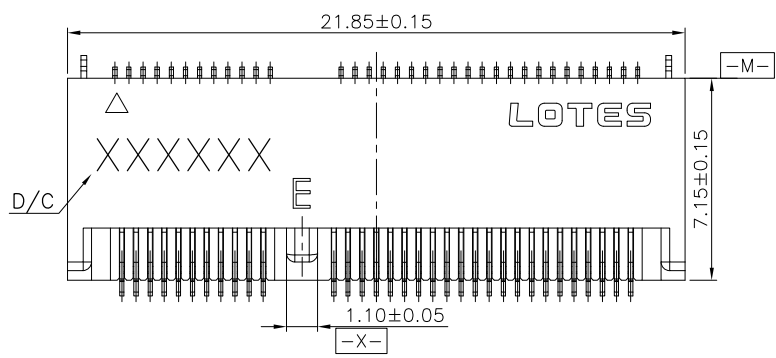
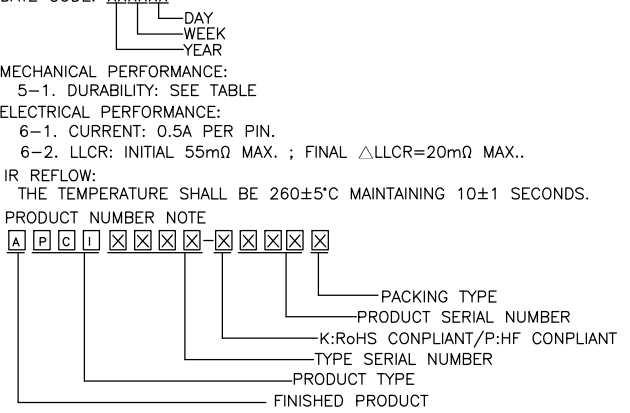


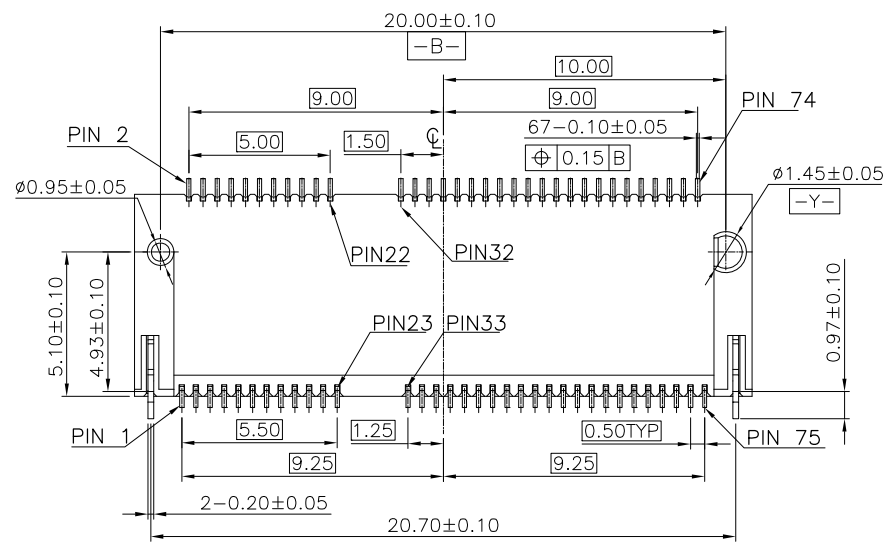
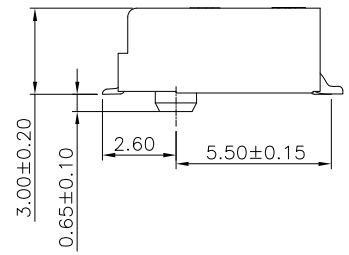
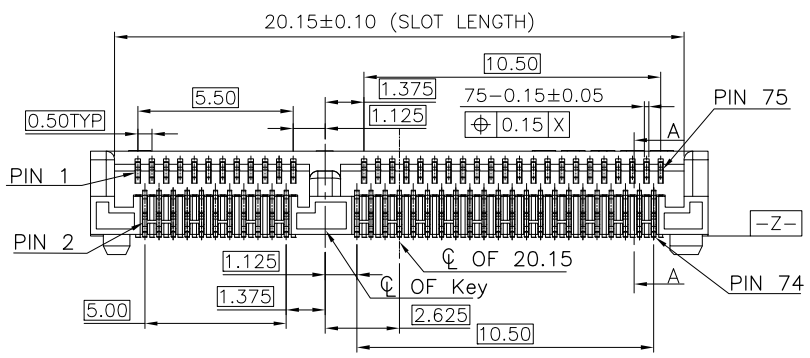
REV.	ECR/N NO./DESCRIPTION	DATE	DRAWN	CHECKED	APPROVE
1	SN14040	05/06'14	Jinjin.Tu	Vito	Barney



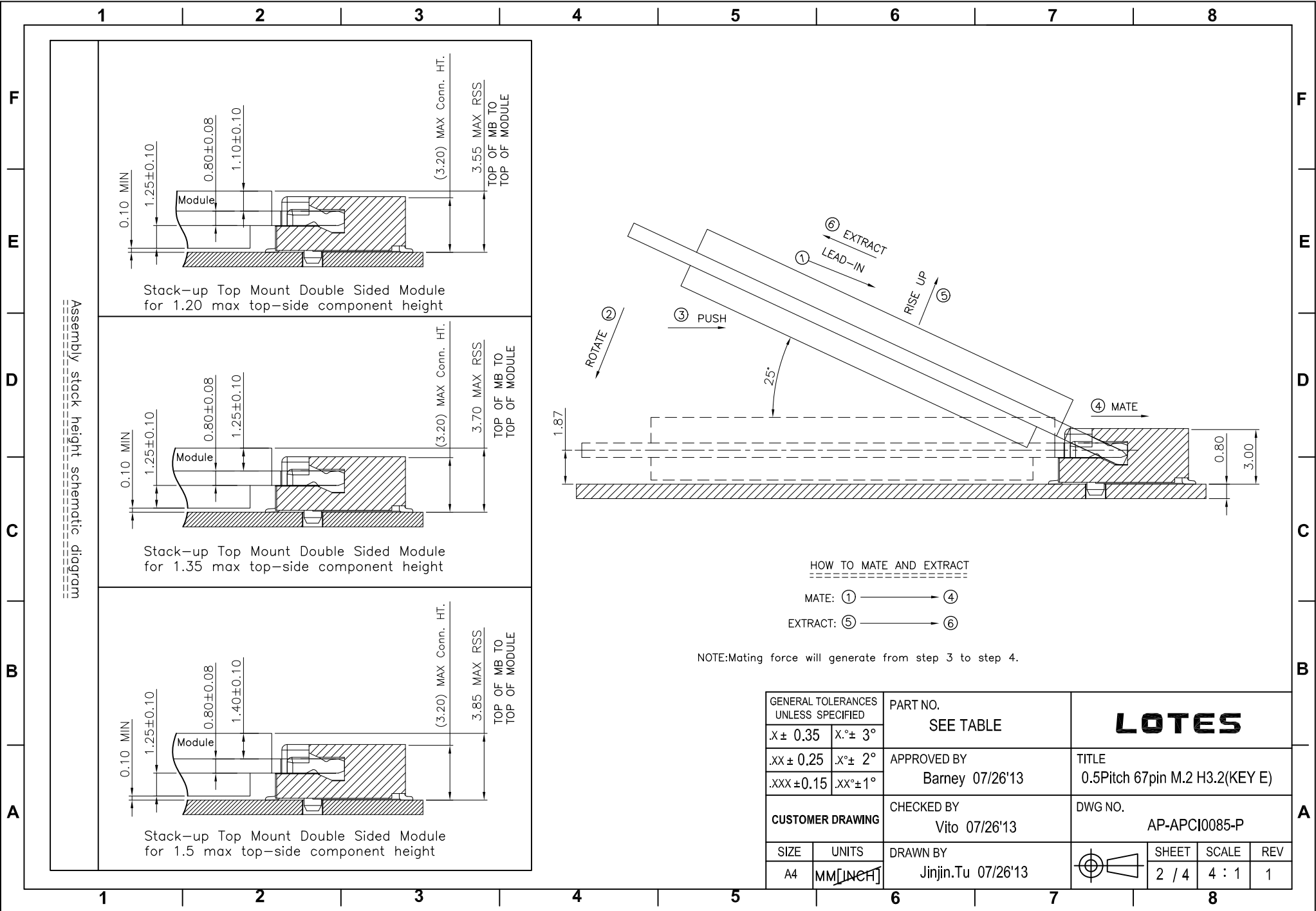
- NOTES:
- MATERIAL SPECIFICATION:
 - 1-1. HOUSING: LCP+40%GF, UL94V-0, COLOR: BLACK.
 - 1-2. CONTACT: COPPER ALLOY.
 - 1-3. SMT TAB: S50C.
 - PLATING SPECIFICATION:
 - 2-1. CONTACT:
 - 50u" MIN. NICKEL UNDER PLATING OVER ALL.
 - G/F PLATING ON SOLDER AREA.
 - GOLD PLATING ON CONTACT AREA: SEE TABLE
 - 2-2. SMT TAB:
 - 50u" MIN. NICKEL UNDER PLATING OVER ALL.
 - 80u" MIN. MATTE TIN PLATING ON SOLDER AREA.
 - HF COMPLIANT, ROHS COMPLIANT.
 - DATE CODE: XXXXXX
 - DAY
 - WEEK
 - YEAR
 - MECHANICAL PERFORMANCE:
 - 5-1. DURABILITY: SEE TABLE
 - ELECTRICAL PERFORMANCE:
 - 6-1. CURRENT: 0.5A PER PIN.
 - 6-2. LLCR: INITIAL 55mΩ MAX.; FINAL ΔLLCR=20mΩ MAX..
 - IR REFLOW:
 - THE TEMPERATURE SHALL BE 260±5°C MAINTAINING 10±1 SECONDS.
 - PRODUCT NUMBER NOTE



PART NO.	CONTACT PLATING	DURABILITY
APCI085-P001A	30u" MIN. GOLD	60 CYCLES.
APCI085-P002A	1~3u" MIN. GOLD	25 CYCLES.
APCI085-P003A	10u" MIN. GOLD	25 CYCLES.
APCI085-P008A	5u" MIN. GOLD	25 CYCLES.



GENERAL TOLERANCES UNLESS SPECIFIED		PART NO. SEE TABLE	LOTES					
X ± 0.35	X° ± 3°					APPROVED BY Barney 07/26'13	TITLE 0.5Pitch 67pin M.2 H3.2(KEY E)	
.XX ± 0.25	X° ± 2°					CHECKED BY Vito 07/26'13	DWG NO. AP-APCI0085-P	
.XXX ± 0.15	.XX° ± 1°	CUSTOMER DRAWING	DRAWN BY Jinjin.Tu 07/26'13	SHEET 1 / 4				
SIZE A4	UNITS MM [INCH]			SCALE 4 : 1	REV 1			



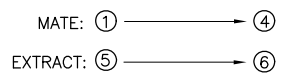
Assembly stack height schematic diagram

Stack-up Top Mount Double Sided Module for 1.20 max top-side component height

Stack-up Top Mount Double Sided Module for 1.35 max top-side component height

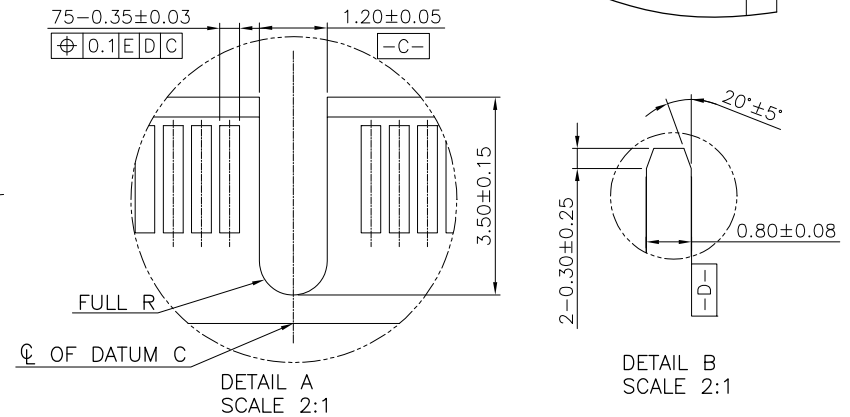
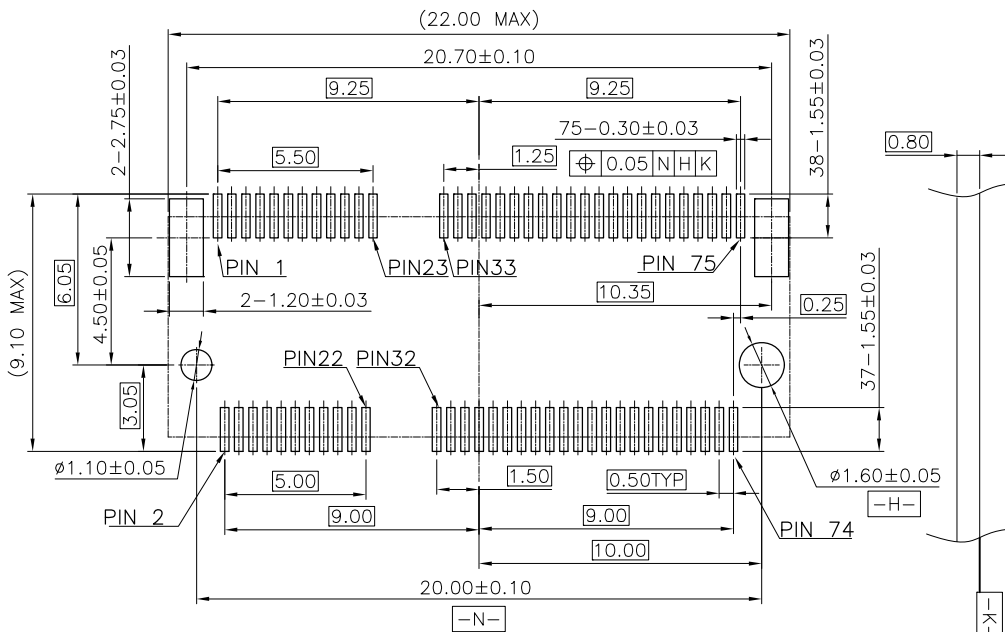
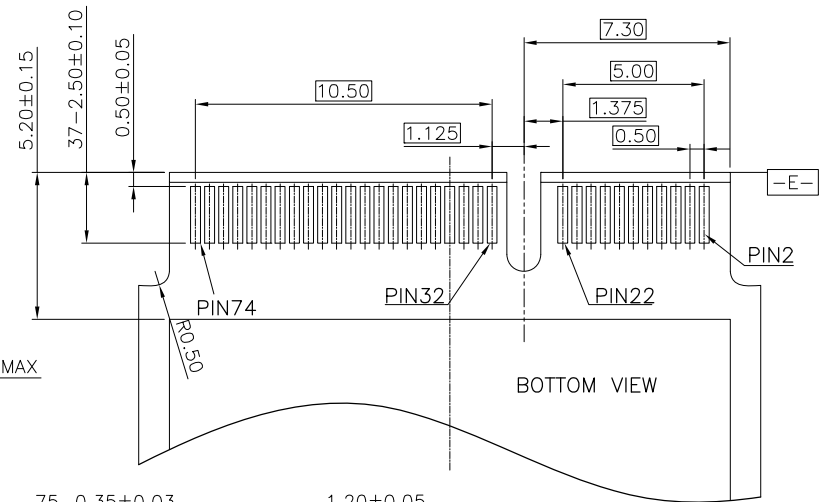
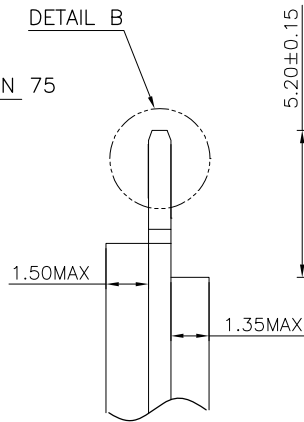
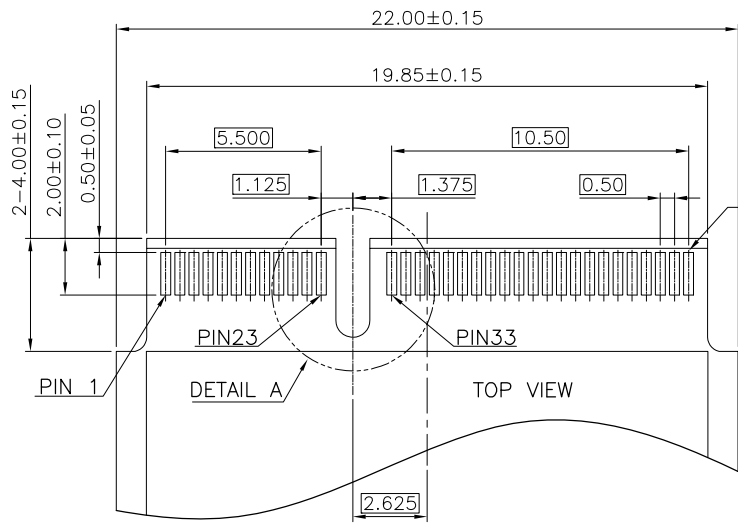
Stack-up Top Mount Double Sided Module for 1.5 max top-side component height

HOW TO MATE AND EXTRACT



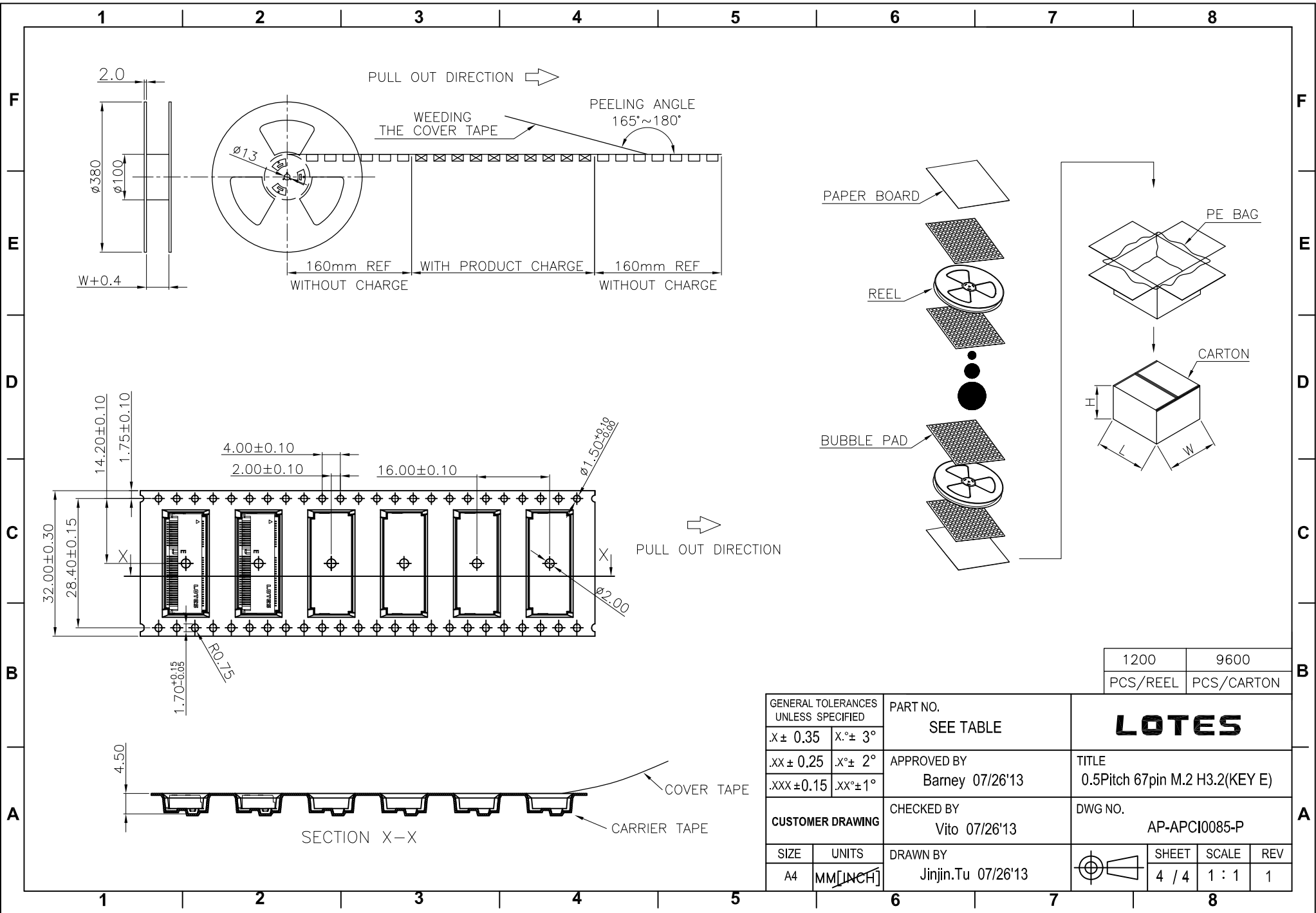
NOTE: Mating force will generate from step 3 to step 4.

GENERAL TOLERANCES UNLESS SPECIFIED		PART NO. SEE TABLE	LOTES		
X ± 0.35	X° ± 3°				
.XX ± 0.25	X° ± 2°	APPROVED BY Barney 07/26'13	TITLE 0.5Pitch 67pin M.2 H3.2(KEY E)		
.XXX ± 0.15	.XX° ± 1°	CHECKED BY Vito 07/26'13	DWG NO. AP-APCI0085-P		
CUSTOMER DRAWING		DRAWN BY Jinjin.Tu 07/26'13	SHEET 2 / 4	SCALE 4 : 1	REV 1
SIZE A4	UNITS MM [INCH]				



RECOMMENDED PCB LAYOUT(TOP VIEW)
 DEFAULT TOLERANCE ±0.05MM

GENERAL TOLERANCES UNLESS SPECIFIED		PART NO. SEE TABLE	LOTES		
X ± 0.35	X° ± 3°				
.XX ± 0.25	X° ± 2°	APPROVED BY Barney 07/26'13	TITLE 0.5Pitch 67pin M.2 H3.2(KEY E)		
.XXX ± 0.15	.XX° ± 1°	CHECKED BY Vito 07/26'13	DWG NO. AP-APCI0085-P		
CUSTOMER DRAWING		DRAWN BY Jinjin.Tu 07/26'13	SHEET 3 / 4	SCALE 4 : 1	REV 1
SIZE A4	UNITS MM [INCH]				



1200	9600
PCS/REEL	PCS/CARTON

GENERAL TOLERANCES UNLESS SPECIFIED		PART NO. SEE TABLE	LOTES		
X ± 0.35	X° ± 3°				
.XX ± 0.25	X° ± 2°	APPROVED BY Barney 07/26'13	TITLE 0.5Pitch 67pin M.2 H3.2(KEY E)		
.XXX ± 0.15	.XX° ± 1°	CHECKED BY Vito 07/26'13	DWG NO. AP-APCI0085-P		
CUSTOMER DRAWING		DRAWN BY Jinjin.Tu 07/26'13	SHEET 4 / 4	SCALE 1 : 1	REV 1
SIZE A4	UNITS MM [INCH]				

X-ON Electronics

Largest Supplier of Electrical and Electronic Components

Click to view similar products for [Standard Card Edge Connectors](#) category:

Click to view products by [LOTES](#) manufacturer:

Other Similar products are found below :

[CR7E-30DB-3.96E\(72\)](#) [6565204-6](#) [1437274-4](#) [EBT15622B2X](#) [1-582587-1](#) [284-0102-12100](#) [286-0052-12101A](#) [306022901000000](#) [307-012-502-202](#) [307-056-520-300](#) [A6D22DS29C2](#) [1926088-2](#) [287-0032-12101](#) [345-060-559-303](#) [392-008-559-201](#) [534671-1](#) [341-240-317](#) [345-044-500-300](#) [346-240-318](#) [387-012-523-300](#) [395-100-524-300](#) [09-07-2032](#) [10035388-802LF](#) [10115859-011LF](#) [10122859-009LF](#) [101269333204245CLF](#) [530555-1](#) [66925-516LF](#) [5145409-2](#) [73726-0005](#) [66308-1](#) [5036A30](#) [PEC-07-02-T-S-A](#) [346-014-520-801](#) [KSLX-62-BR](#) [307-048-502-202](#) [CE100F26-7-C](#) [CE100F28-3-D](#) [CE100F28-4-D](#) [CE156F18-9-C](#) [CE156F22-5-D](#) [CE156F22-9-C](#) [CT100F22-2-D](#) [CT100F22-3-D](#) [CT100F24-2-D](#) [CT100F24-3-D](#) [CT100F24-6-C](#) [CT156F22-4-D](#) [MLSS100-12-C](#) [MLSS100-16-C](#)